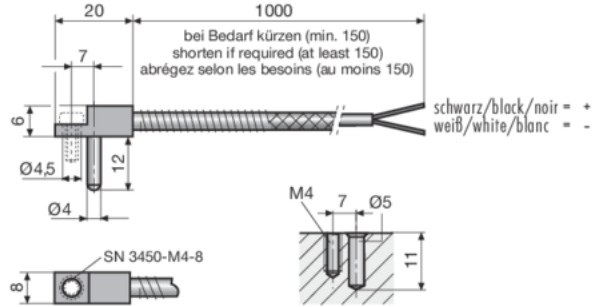


## Thermofühler

## Thermocouple

## Thermocouple



**Z7024**

Mat.: Fe-CuNi Typ J  
max. 400 °C



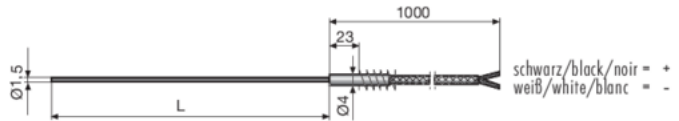
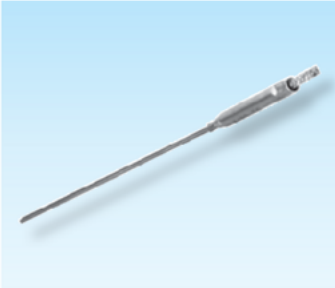
Z7024



## Thermofühler

## Thermocouple

## Thermocouple



**Z7025-**

Mat.: Fe-CuNi Typ J  
max. 400 °C



Z7025-L



**L**

100

150

200

300