

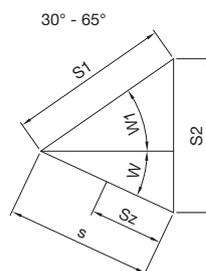
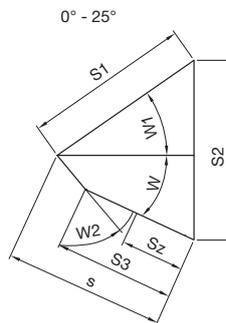
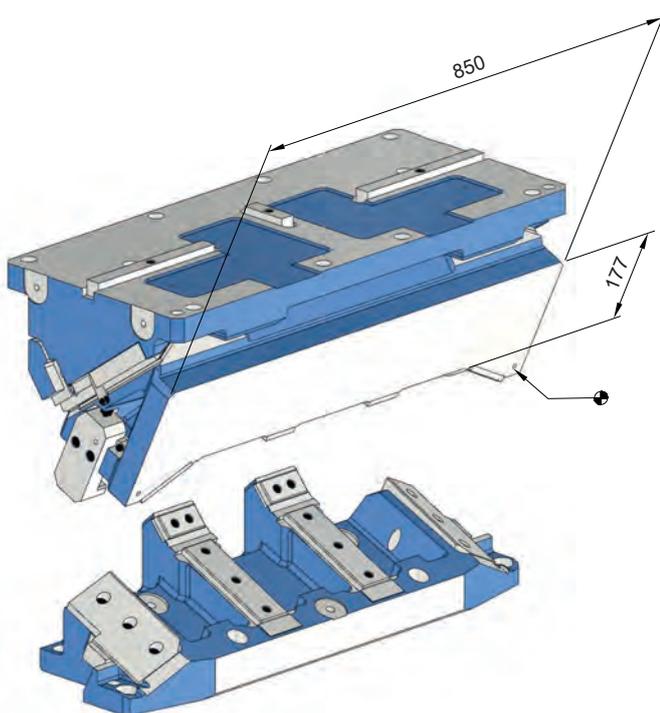
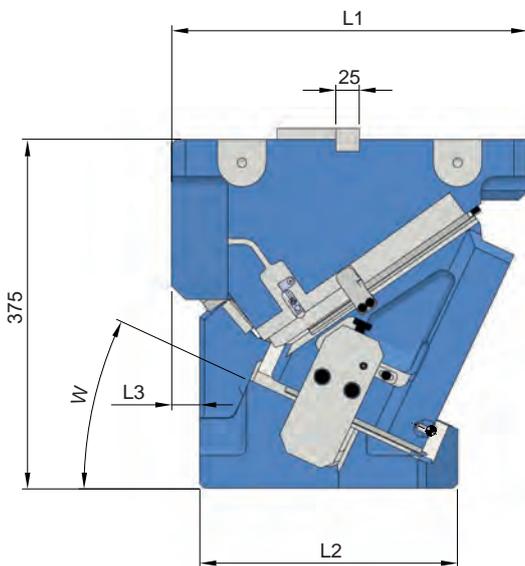


SN5650-PMO-0850-

Oben hängender Schieber

Aerial cam unit

Arbeitsfläche	<i>Working area</i>	850 x 177 mm
Schieberbreite max.	<i>Cam unit width max.</i>	850 mm
Einbauhöhe	<i>Installation height</i>	375 mm
Schieberkraft	<i>Cam force</i>	2000 kN



Gusstoleranzgrad CT
nach DIN ISO 8062

(blau = Rohgussfläche)

Casting tolerance grade CT
according to DIN ISO 8062

(blue = raw casting area)

Positionskontrolle:
Control of position:



Pos. 1

Schieber zusammengefahren
Cam is moved together



Pos. 2

Schieber ausgefahren
Cam is extended

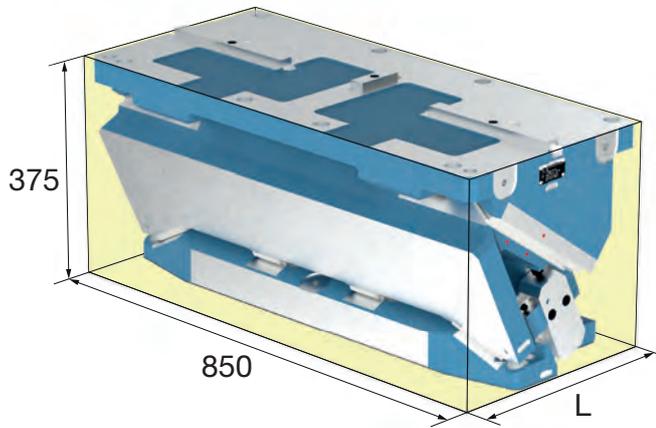
Sz = Eingriffslänge Aktivrückzug, 0° - 25° mit Vorbeschleunigung, 30° - 65° ohne Vorbeschleunigung

Sz = Engagement length of activ return, 0° - 25° with pre-acceleration, 30° - 65° without pre-acceleration

SN5650-PMO-0850-

Oben hängender Schieber

Aerial cam unit



Mat.: EN-GJS-600-3 (GGG 60)



W = Schieberwinkel
Cam Angle
E = Einarbeitung
Machining

G = Gasdruckfeder
Gas spring
SE = Sensor
Sensor

W	E	G	SE	L	W1	W2	s	S1	S2	S3	Sz	L1	L2	L3	No.
0°	E0	G0	S0	365	47	30	45.7	67	55.2	35	26	360	300	65	SN5650-PMO-0850-00-E0-G0-S0-V04
0°	E0	G0	S1	365	47	30	45.7	67	55.2	35	26	360	300	65	SN5650-PMO-0850-00-E0-G0-S1-V04
0°	E0	G1	S0	365	47	30	45.7	67	55.2	35	26	360	300	65	SN5650-PMO-0850-00-E0-G1-S0-V04
0°	E0	G1	S1	365	47	30	45.7	67	55.2	35	26	360	300	65	SN5650-PMO-0850-00-E0-G1-S1-V04
0°	E1	G0	S0	365	47	30	45.7	67	55.2	35	26	360	300	65	SN5650-PMO-0850-00-E1-G0-S0-V04
0°	E1	G0	S1	365	47	30	45.7	67	55.2	35	26	360	300	65	SN5650-PMO-0850-00-E1-G0-S1-V04
0°	E1	G1	S0	365	47	30	45.7	67	55.2	35	26	360	300	65	SN5650-PMO-0850-00-E1-G1-S0-V04
0°	E1	G1	S1	365	47	30	45.7	67	55.2	35	26	360	300	65	SN5650-PMO-0850-00-E1-G1-S1-V04
5°	E0	G0	S0	365	45	30	48.2	67	59.2	35	26	360	300	65	SN5650-PMO-0850-05-E0-G0-S0-V04
5°	E0	G0	S1	365	45	30	48.2	67	59.2	35	26	360	300	65	SN5650-PMO-0850-05-E0-G0-S1-V04
5°	E0	G1	S0	365	45	30	48.2	67	59.2	35	26	360	300	65	SN5650-PMO-0850-05-E0-G1-S0-V04
5°	E0	G1	S1	365	45	30	48.2	67	59.2	35	26	360	300	65	SN5650-PMO-0850-05-E0-G1-S1-V04
5°	E1	G0	S0	365	45	30	48.2	67	59.2	35	26	360	300	65	SN5650-PMO-0850-05-E1-G0-S0-V04
5°	E1	G0	S1	365	45	30	48.2	67	59.2	35	26	360	300	65	SN5650-PMO-0850-05-E1-G0-S1-V04
5°	E1	G1	S0	365	45	30	48.2	67	59.2	35	26	360	300	65	SN5650-PMO-0850-05-E1-G1-S0-V04
5°	E1	G1	S1	365	45	30	48.2	67	59.2	35	26	360	300	65	SN5650-PMO-0850-05-E1-G1-S1-V04
10°	E0	G0	S0	375	42	30	51.8	67	60.5	40	32	375	310	35	SN5650-PMO-0850-10-E0-G0-S0-V04
10°	E0	G0	S1	375	42	30	51.8	67	60.5	40	32	375	310	35	SN5650-PMO-0850-10-E0-G0-S1-V04
10°	E0	G1	S0	375	42	30	51.8	67	60.5	40	32	375	310	35	SN5650-PMO-0850-10-E0-G1-S0-V04
10°	E0	G1	S1	375	42	30	51.8	67	60.5	40	32	375	310	35	SN5650-PMO-0850-10-E0-G1-S1-V04
10°	E1	G0	S0	375	42	30	51.8	67	60.5	40	32	375	310	35	SN5650-PMO-0850-10-E1-G0-S0-V04
10°	E1	G0	S1	375	42	30	51.8	67	60.5	40	32	375	310	35	SN5650-PMO-0850-10-E1-G0-S1-V04
10°	E1	G1	S0	375	42	30	51.8	67	60.5	40	32	375	310	35	SN5650-PMO-0850-10-E1-G1-S0-V04
10°	E1	G1	S1	375	42	30	51.8	67	60.5	40	32	375	310	35	SN5650-PMO-0850-10-E1-G1-S1-V04
15°	E0	G0	S0	375	40	30	55.5	67	66.1	40	32	375	310	35	SN5650-PMO-0850-15-E0-G0-S0-V04
15°	E0	G0	S1	375	40	30	55.5	67	66.1	40	32	375	310	35	SN5650-PMO-0850-15-E0-G0-S1-V04
15°	E0	G1	S0	375	40	30	55.5	67	66.1	40	32	375	310	35	SN5650-PMO-0850-15-E0-G1-S0-V04
15°	E0	G1	S1	375	40	30	55.5	67	66.1	40	32	375	310	35	SN5650-PMO-0850-15-E0-G1-S1-V04
15°	E1	G0	S0	375	40	30	55.5	67	66.1	40	32	375	310	35	SN5650-PMO-0850-15-E1-G0-S0-V04
15°	E1	G0	S1	375	40	30	55.5	67	66.1	40	32	375	310	35	SN5650-PMO-0850-15-E1-G0-S1-V04
15°	E1	G1	S0	375	40	30	55.5	67	66.1	40	32	375	310	35	SN5650-PMO-0850-15-E1-G1-S0-V04
15°	E1	G1	S1	375	40	30	55.5	67	66.1	40	32	375	310	35	SN5650-PMO-0850-15-E1-G1-S1-V04
20°	E0	G0	S0	380	37	25	50.2	57	55.9	40	32	380	275	30	SN5650-PMO-0850-20-E0-G0-S0-V04
20°	E0	G0	S1	380	37	25	50.2	57	55.9	40	32	380	275	30	SN5650-PMO-0850-20-E0-G0-S1-V04
20°	E0	G1	S0	380	37	25	50.2	57	55.9	40	32	380	275	30	SN5650-PMO-0850-20-E0-G1-S0-V04



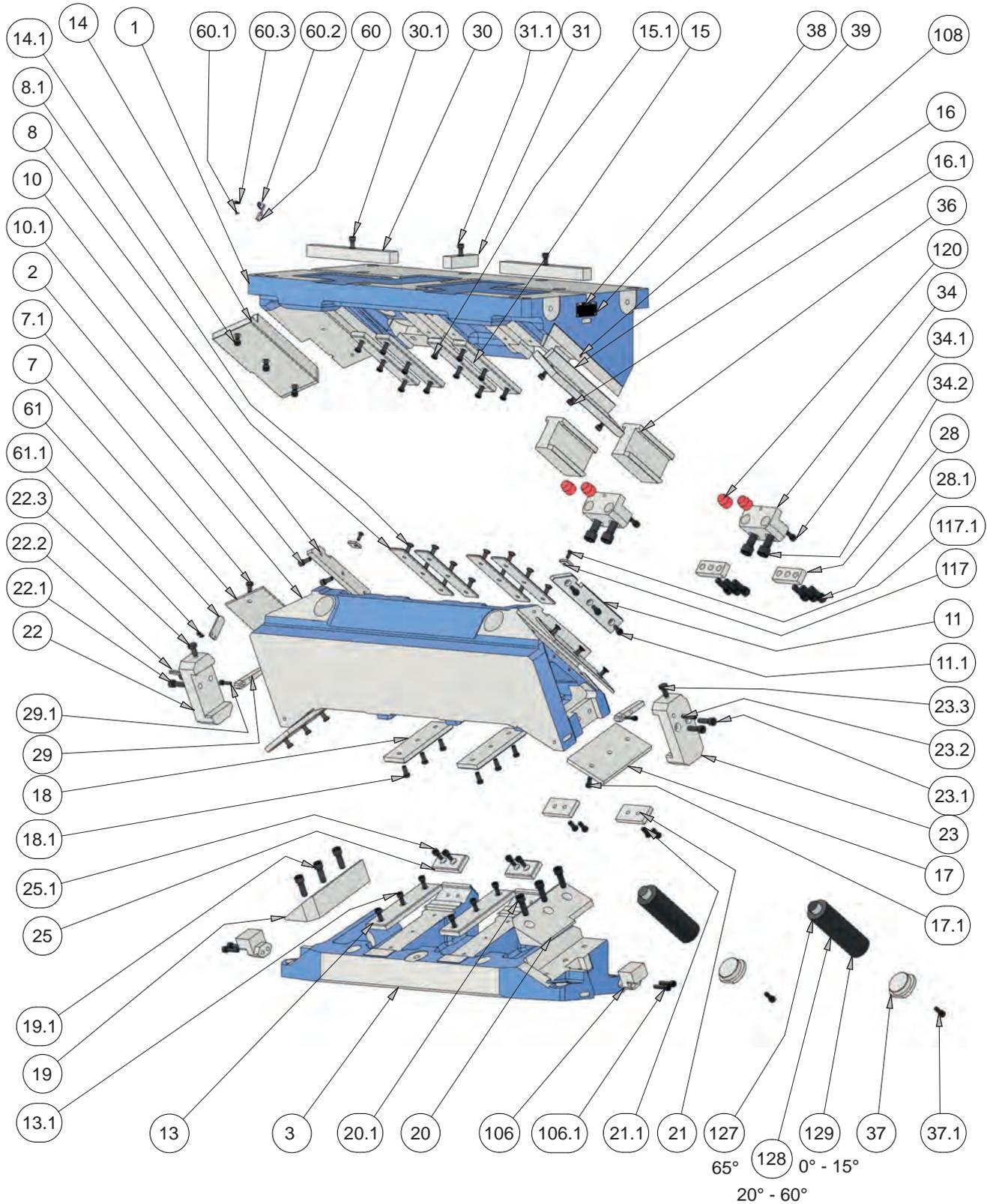
W	E	G	SE	L	W1	W2	s	S1	S2	S3	Sz	L1	L2	L3	No.
20°	E0	G1	S1	380	37	25	50.2	57	55.9	40	32	380	275	30	SN5650-PMO-0850-20-E0-G1-S1-V04
20°	E1	G0	S0	380	37	25	50.2	57	55.9	40	32	380	275	30	SN5650-PMO-0850-20-E1-G0-S0-V04
20°	E1	G0	S1	380	37	25	50.2	57	55.9	40	32	380	275	30	SN5650-PMO-0850-20-E1-G0-S1-V04
20°	E1	G1	S0	380	37	25	50.2	57	55.9	40	32	380	275	30	SN5650-PMO-0850-20-E1-G1-S0-V04
20°	E1	G1	S1	380	37	25	50.2	57	55.9	40	32	380	275	30	SN5650-PMO-0850-20-E1-G1-S1-V04
25°	E0	G0	S0	380	35	25	54.7	57	62	40	32	380	275	30	SN5650-PMO-0850-25-E0-G0-S0-V04
25°	E0	G0	S1	380	35	25	54.7	57	62	40	32	380	275	30	SN5650-PMO-0850-25-E0-G0-S1-V04
25°	E0	G1	S0	380	35	25	54.7	57	62	40	32	380	275	30	SN5650-PMO-0850-25-E0-G1-S0-V04
25°	E0	G1	S1	380	35	25	54.7	57	62	40	32	380	275	30	SN5650-PMO-0850-25-E0-G1-S1-V04
25°	E1	G0	S0	380	35	25	54.7	57	62	40	32	380	275	30	SN5650-PMO-0850-25-E1-G0-S0-V04
25°	E1	G0	S1	380	35	25	54.7	57	62	40	32	380	275	30	SN5650-PMO-0850-25-E1-G0-S1-V04
25°	E1	G1	S0	380	35	25	54.7	57	62	40	32	380	275	30	SN5650-PMO-0850-25-E1-G1-S0-V04
25°	E1	G1	S1	380	35	25	54.7	57	62	40	32	380	275	30	SN5650-PMO-0850-25-E1-G1-S1-V04
30°	E0	G0	S0	390	32	0	50.9	52	53	0	42	390	265	20	SN5650-PMO-0850-30-E0-G0-S0-V04
30°	E0	G0	S1	390	32	0	50.9	52	53	0	42	390	265	20	SN5650-PMO-0850-30-E0-G0-S1-V04
30°	E0	G1	S0	390	32	0	50.9	52	53	0	42	390	265	20	SN5650-PMO-0850-30-E0-G1-S0-V04
30°	E0	G1	S1	390	32	0	50.9	52	53	0	42	390	265	20	SN5650-PMO-0850-30-E0-G1-S1-V04
30°	E1	G0	S0	390	32	0	50.9	52	53	0	42	390	265	20	SN5650-PMO-0850-30-E1-G0-S0-V04
30°	E1	G0	S1	390	32	0	50.9	52	53	0	42	390	265	20	SN5650-PMO-0850-30-E1-G0-S1-V04
30°	E1	G1	S0	390	32	0	50.9	52	53	0	42	390	265	20	SN5650-PMO-0850-30-E1-G1-S0-V04
30°	E1	G1	S1	390	32	0	50.9	52	53	0	42	390	265	20	SN5650-PMO-0850-30-E1-G1-S1-V04
35°	E0	G0	S0	390	30	0	49.7	47	52	0	42	390	265	20	SN5650-PMO-0850-35-E0-G0-S0-V04
35°	E0	G0	S1	390	30	0	49.7	47	52	0	42	390	265	20	SN5650-PMO-0850-35-E0-G0-S1-V04
35°	E0	G1	S0	390	30	0	49.7	47	52	0	42	390	265	20	SN5650-PMO-0850-35-E0-G1-S0-V04
35°	E0	G1	S1	390	30	0	49.7	47	52	0	42	390	265	20	SN5650-PMO-0850-35-E0-G1-S1-V04
35°	E1	G0	S0	390	30	0	49.7	47	52	0	42	390	265	20	SN5650-PMO-0850-35-E1-G0-S0-V04
35°	E1	G0	S1	390	30	0	49.7	47	52	0	42	390	265	20	SN5650-PMO-0850-35-E1-G0-S1-V04
35°	E1	G1	S0	390	30	0	49.7	47	52	0	42	390	265	20	SN5650-PMO-0850-35-E1-G1-S0-V04
35°	E1	G1	S1	390	30	0	49.7	47	52	0	42	390	265	20	SN5650-PMO-0850-35-E1-G1-S1-V04
40°	E0	G0	S0	395	27	0	54.7	47	56.5	0	47	395	260	0	SN5650-PMO-0850-40-E0-G0-S0-V04
40°	E0	G0	S1	395	27	0	54.7	47	56.5	0	47	395	260	0	SN5650-PMO-0850-40-E0-G0-S1-V04
40°	E0	G1	S0	395	27	0	54.7	47	56.5	0	47	395	260	0	SN5650-PMO-0850-40-E0-G1-S0-V04
40°	E0	G1	S1	395	27	0	54.7	47	56.5	0	47	395	260	0	SN5650-PMO-0850-40-E0-G1-S1-V04
40°	E1	G0	S0	395	27	0	54.7	47	56.5	0	47	395	260	0	SN5650-PMO-0850-40-E1-G0-S0-V04
40°	E1	G0	S1	395	27	0	54.7	47	56.5	0	47	395	260	0	SN5650-PMO-0850-40-E1-G0-S1-V04
40°	E1	G1	S0	395	27	0	54.7	47	56.5	0	47	395	260	0	SN5650-PMO-0850-40-E1-G1-S0-V04
40°	E1	G1	S1	395	27	0	54.7	47	56.5	0	47	395	260	0	SN5650-PMO-0850-40-E1-G1-S1-V04
45°	E0	G0	S0	395	25	0	60.2	47	62.5	0	47	395	260	0	SN5650-PMO-0850-45-E0-G0-S0-V04
45°	E0	G0	S1	395	25	0	60.2	47	62.5	0	47	395	260	0	SN5650-PMO-0850-45-E0-G0-S1-V04
45°	E0	G1	S0	395	25	0	60.2	47	62.5	0	47	395	260	0	SN5650-PMO-0850-45-E0-G1-S0-V04
45°	E0	G1	S1	395	25	0	60.2	47	62.5	0	47	395	260	0	SN5650-PMO-0850-45-E0-G1-S1-V04
45°	E1	G0	S0	395	25	0	60.2	47	62.5	0	47	395	260	0	SN5650-PMO-0850-45-E1-G0-S0-V04
45°	E1	G0	S1	395	25	0	60.2	47	62.5	0	47	395	260	0	SN5650-PMO-0850-45-E1-G0-S1-V04
45°	E1	G1	S0	395	25	0	60.2	47	62.5	0	47	395	260	0	SN5650-PMO-0850-45-E1-G1-S0-V04
45°	E1	G1	S1	395	25	0	60.2	47	62.5	0	47	395	260	0	SN5650-PMO-0850-45-E1-G1-S1-V04
50°	E0	G0	S0	415	22	0	67.8	47	69.5	0	52	395	250	20	SN5650-PMO-0850-50-E0-G0-S0-V04
50°	E0	G0	S1	415	22	0	67.8	47	69.5	0	52	395	250	20	SN5650-PMO-0850-50-E0-G0-S1-V04
50°	E0	G1	S0	415	22	0	67.8	47	69.5	0	52	395	250	20	SN5650-PMO-0850-50-E0-G1-S0-V04
50°	E0	G1	S1	415	22	0	67.8	47	69.5	0	52	395	250	20	SN5650-PMO-0850-50-E0-G1-S1-V04
50°	E1	G0	S0	415	22	0	67.8	47	69.5	0	52	395	250	20	SN5650-PMO-0850-50-E1-G0-S0-V04
50°	E1	G0	S1	415	22	0	67.8	47	69.5	0	52	395	250	20	SN5650-PMO-0850-50-E1-G0-S1-V04
50°	E1	G1	S0	415	22	0	67.8	47	69.5	0	52	395	250	20	SN5650-PMO-0850-50-E1-G1-S0-V04
50°	E1	G1	S1	415	22	0	67.8	47	69.5	0	52	395	250	20	SN5650-PMO-0850-50-E1-G1-S1-V04
55°	E0	G0	S0	415	20	0	68.8	42	70.7	0	52	395	250	20	SN5650-PMO-0850-55-E0-G0-S0-V04
55°	E0	G0	S1	415	20	0	68.8	42	70.7	0	52	395	250	20	SN5650-PMO-0850-55-E0-G0-S1-V04



W	E	G	SE	L	W1	W2	s	S1	S2	S3	Sz	L1	L2	L3	No.
55°	E0	G1	S0	415	20	0	68.8	42	70.7	0	52	395	250	20	SN5650-PMO-0850-55-E0-G1-S0-V04
55°	E0	G1	S1	415	20	0	68.8	42	70.7	0	52	395	250	20	SN5650-PMO-0850-55-E0-G1-S1-V04
55°	E1	G0	S0	415	20	0	68.8	42	70.7	0	52	395	250	20	SN5650-PMO-0850-55-E1-G0-S0-V04
55°	E1	G0	S1	415	20	0	68.8	42	70.7	0	52	395	250	20	SN5650-PMO-0850-55-E1-G0-S1-V04
55°	E1	G1	S0	415	20	0	68.8	42	70.7	0	52	395	250	20	SN5650-PMO-0850-55-E1-G1-S0-V04
55°	E1	G1	S1	415	20	0	68.8	42	70.7	0	52	395	250	20	SN5650-PMO-0850-55-E1-G1-S1-V04
60°	E0	G0	S0	425	17	0	70.8	37	72.1	0	52	395	225	30	SN5650-PMO-0850-60-E0-G0-S0-V04
60°	E0	G0	S1	425	17	0	70.8	37	72.1	0	52	395	225	30	SN5650-PMO-0850-60-E0-G0-S1-V04
60°	E0	G1	S0	425	17	0	70.8	37	72.1	0	52	395	225	30	SN5650-PMO-0850-60-E0-G1-S0-V04
60°	E0	G1	S1	425	17	0	70.8	37	72.1	0	52	395	225	30	SN5650-PMO-0850-60-E0-G1-S1-V04
60°	E1	G0	S0	425	17	0	70.8	37	72.1	0	52	395	225	30	SN5650-PMO-0850-60-E1-G0-S0-V04
60°	E1	G0	S1	425	17	0	70.8	37	72.1	0	52	395	225	30	SN5650-PMO-0850-60-E1-G0-S1-V04
60°	E1	G1	S0	425	17	0	70.8	37	72.1	0	52	395	225	30	SN5650-PMO-0850-60-E1-G1-S0-V04
60°	E1	G1	S1	425	17	0	70.8	37	72.1	0	52	395	225	30	SN5650-PMO-0850-60-E1-G1-S1-V04
65°	E0	G0	S0	425	15	0	73.1	32	74.6	0	52	395	225	30	SN5650-PMO-0850-65-E0-G0-S0-V04
65°	E0	G0	S1	425	15	0	73.1	32	74.6	0	52	395	225	30	SN5650-PMO-0850-65-E0-G0-S1-V04
65°	E0	G1	S0	425	15	0	73.1	32	74.6	0	52	395	225	30	SN5650-PMO-0850-65-E0-G1-S0-V04
65°	E0	G1	S1	425	15	0	73.1	32	74.6	0	52	395	225	30	SN5650-PMO-0850-65-E0-G1-S1-V04
65°	E1	G0	S0	425	15	0	73.1	32	74.6	0	52	395	225	30	SN5650-PMO-0850-65-E1-G0-S0-V04
65°	E1	G0	S1	425	15	0	73.1	32	74.6	0	52	395	225	30	SN5650-PMO-0850-65-E1-G0-S1-V04
65°	E1	G1	S0	425	15	0	73.1	32	74.6	0	52	395	225	30	SN5650-PMO-0850-65-E1-G1-S0-V04
65°	E1	G1	S1	425	15	0	73.1	32	74.6	0	52	395	225	30	SN5650-PMO-0850-65-E1-G1-S1-V04

SN5650-PMO-0850-

Bauteile Components



Ersatzteilstückliste je Schieber unter www.strack.de

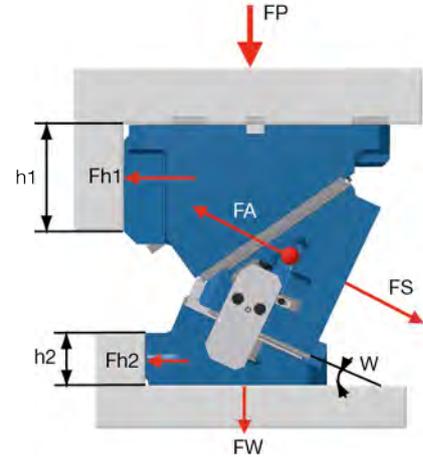
Sparepart lists under www.strack.de

SN5650-PMO-0850-

Kraftverteilung

Force Distribution

W	FS [kN]	FP [kN]	Fh1 [kN]	FW [kN]	Fh2 [kN]	h1 [mm]	h2 [mm]	FA [kN] Standard	FA [kN]
00°	2000	1927	2045	1927	-45	190	50	78	102
05°	2000	1937	1889	1763	96	180	65	83	111
10°	2000	1947	1733	1600	236	170	80	89	119
15°	2000	1956	1597	1440	327	163	78	94	126
20°	2000	1964	1461	1280	418	155	75	100	132
25°	2000	1971	1340	1129	466	145	88	100	141
30°	2000	1979	1219	979	513	135	100	100	150
35°	2000	1985	1109	842	523	133	100	100	148
40°	2000	1992	998	706	534	130	100	100	146
45°	2000	1998	896	589	513	120	115	100	143
50°	2000	2004	794	472	492	110	130	100	140
55°	2000	2009	697	377	446	100	148	100	137
60°	2000	2015	600	283	400	90	165	100	139
65°	2000	2012	524	200	321	90	165	100	153



W = Schieberwinkel

FP = P-Press

FW = W-Werkzeug

FS = S-Schieberkraft

FA = A-Abstreifkraft

Fh1 = h1-Abschulterung oben

Fh2 = h2-Abschulterung unten

W = Cam Angle

FP = P-Press

FW = W-Tool

FS = S-Cam Force

FA = A-Retractility

Fh1 = h1-Shouldering above

Fh2 = h2-Shouldering below

SN5650-PMO-0850-

Schieberkräfte

Cam Force

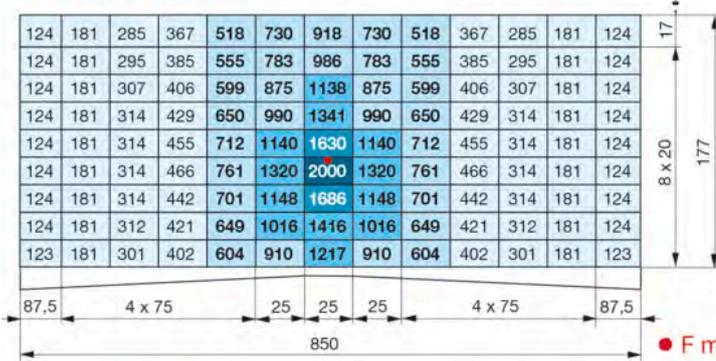
Abschulterung

Shouldering

Passfeder

Fitting Key

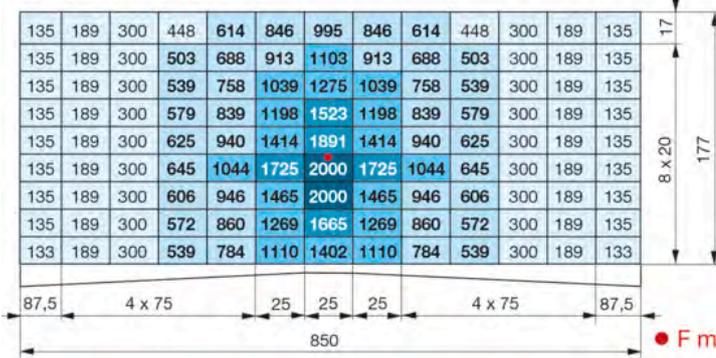
SN5650-PMO-0850-0°



83	96	111	132	164	194	215	194	164	132	111	96	83
83	96	111	132	164	194	215	194	164	132	111	96	83
83	96	111	132	164	194	215	194	164	132	111	96	83
83	96	111	132	164	194	215	194	164	132	111	96	83
83	96	111	132	164	194	215	194	164	132	111	96	83
83	96	111	132	164	194	215	194	164	132	111	96	83
83	96	111	132	164	194	215	194	164	132	111	96	83
83	96	111	132	164	194	215	194	164	132	111	96	83
83	96	111	132	164	194	215	194	164	132	111	96	83
83	96	111	132	164	194	215	194	164	132	111	96	83

● F max. = 200 kN

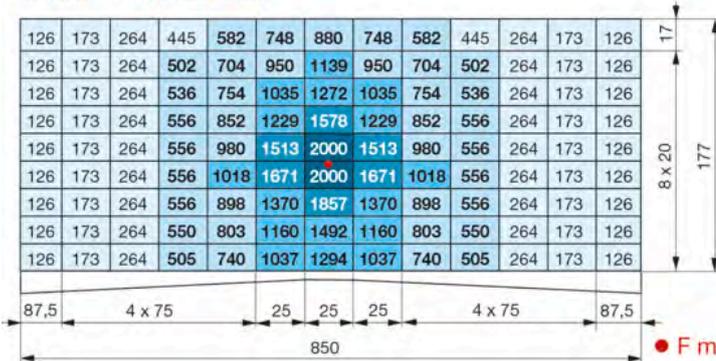
SN5650-PMO-0850-10°



91	106	125	151	193	235	265	235	193	151	125	106	91
91	106	125	151	192	235	265	235	192	151	125	106	91
91	106	125	151	192	235	265	235	192	151	125	106	91
91	106	125	151	192	235	265	235	192	151	125	106	91
91	106	125	151	192	235	265	235	192	151	125	106	91
91	106	125	151	192	235	265	235	192	151	125	106	91
91	106	125	151	192	235	265	235	192	151	125	106	91
91	106	125	151	192	235	265	235	192	151	125	106	91
91	106	125	151	192	235	265	235	192	151	125	106	91
91	106	125	151	192	235	265	235	192	151	125	106	91

● F max. = 2000 kN

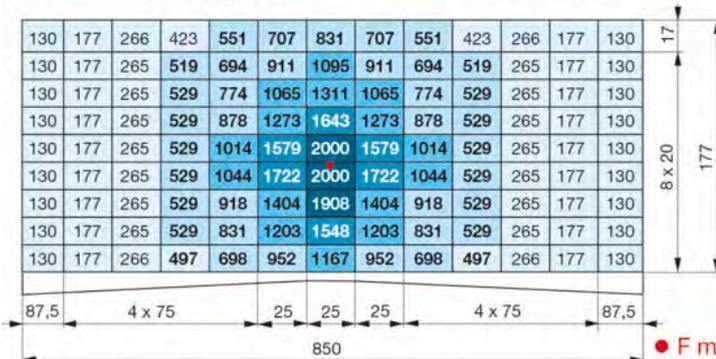
SN5650-PMO-0850-20°



100	118	140	173	226	284	325	284	226	173	140	118	100
100	118	140	173	226	284	325	284	226	173	140	118	100
100	118	140	173	226	284	325	284	226	173	140	118	100
100	118	140	173	226	284	325	284	226	173	140	118	100
100	118	140	173	226	284	325	284	226	173	140	118	100
100	118	140	173	226	284	325	284	226	173	140	118	100
100	118	140	173	226	284	325	284	226	173	140	118	100
100	118	140	173	226	284	325	284	226	173	140	118	100
100	118	140	173	226	284	325	284	226	173	140	118	100
100	118	140	173	226	284	325	284	226	173	140	118	100

● F max. = 2000 kN

SN5650-PMO-0850-30°



116	136	163	204	271	346	402	346	271	204	163	136	116
116	136	163	204	271	346	402	346	271	204	163	136	116
116	136	163	204	270	346	402	346	270	204	163	136	116
116	136	163	204	270	346	402	346	270	204	163	136	116
116	136	163	204	270	346	402	346	270	204	163	136	116
116	136	163	204	270	346	402	346	270	204	163	136	116
116	136	163	204	270	346	402	346	270	204	163	136	116
116	136	163	204	270	346	402	346	270	204	163	136	116
116	136	163	204	270	346	402	346	270	204	163	136	116
116	136	163	204	270	346	402	346	270	204	163	136	116

● F max. = 2000 kN

SN5650-PMO-0850-

Schieberkräfte

Cam Force

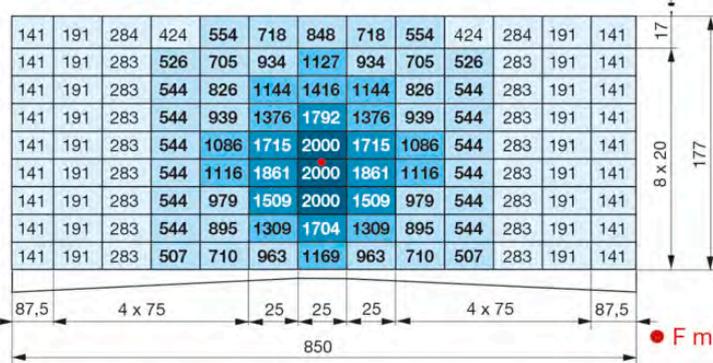
Abschulterung

Shouldering

Passfeder

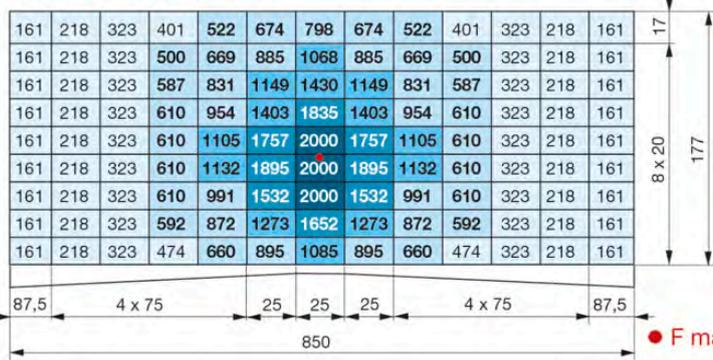
Fitting Key

SN5650-PMO-0850-40°



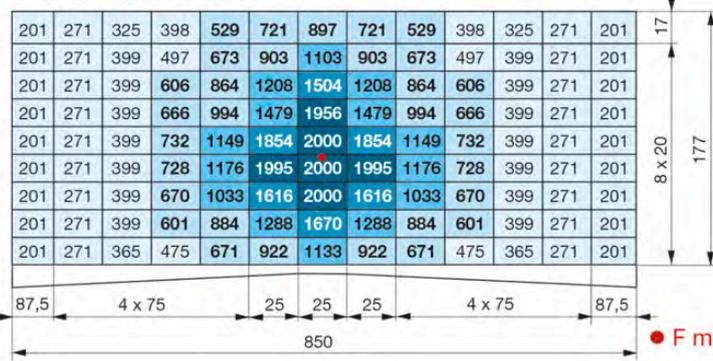
137	162	196	246	331	429	503	429	331	246	196	162	137
137	162	195	246	330	428	503	428	330	246	195	162	137
137	162	195	245	330	428	503	428	330	245	195	162	137
137	162	195	245	330	428	503	428	330	245	195	162	137
137	162	195	245	330	428	503	428	330	245	195	162	137
137	162	195	245	330	428	503	428	330	245	195	162	137
137	162	195	245	330	428	503	428	330	245	195	162	137
137	162	195	245	330	428	503	428	330	245	195	162	137
137	162	195	245	330	428	503	428	330	245	195	162	137
137	162	195	245	330	428	503	428	330	245	195	162	137

SN5650-PMO-0850-50°



168	200	243	309	418	546	645	546	418	309	243	200	168
168	200	243	307	417	546	645	546	417	307	243	200	168
168	200	243	307	416	545	645	545	416	307	243	200	168
168	200	243	307	416	545	645	545	416	307	243	200	168
168	200	243	307	416	545	645	545	416	307	243	200	168
168	200	243	307	416	545	645	545	416	307	243	200	168
168	200	243	307	416	545	645	545	416	307	243	200	168
168	200	243	307	416	545	645	545	416	307	243	200	168
168	200	243	307	416	545	645	545	416	307	243	200	168
168	200	243	307	416	545	645	545	416	307	243	200	168

SN5650-PMO-0850-60°



221	264	320	398	529	721	865	721	529	398	320	264	221
221	264	320	407	555	729	865	729	555	407	320	264	221
221	264	320	407	553	728	865	728	553	407	320	264	221
221	264	320	407	553	728	865	728	553	407	320	264	221
221	264	320	407	553	728	865	728	553	407	320	264	221
221	264	320	407	553	728	865	728	553	407	320	264	221
221	264	320	407	553	728	865	728	553	407	320	264	221
221	264	320	407	553	728	865	728	553	407	320	264	221
221	264	320	407	553	728	865	728	553	407	320	264	221
197	264	320	407	554	729	865	729	554	407	320	264	197