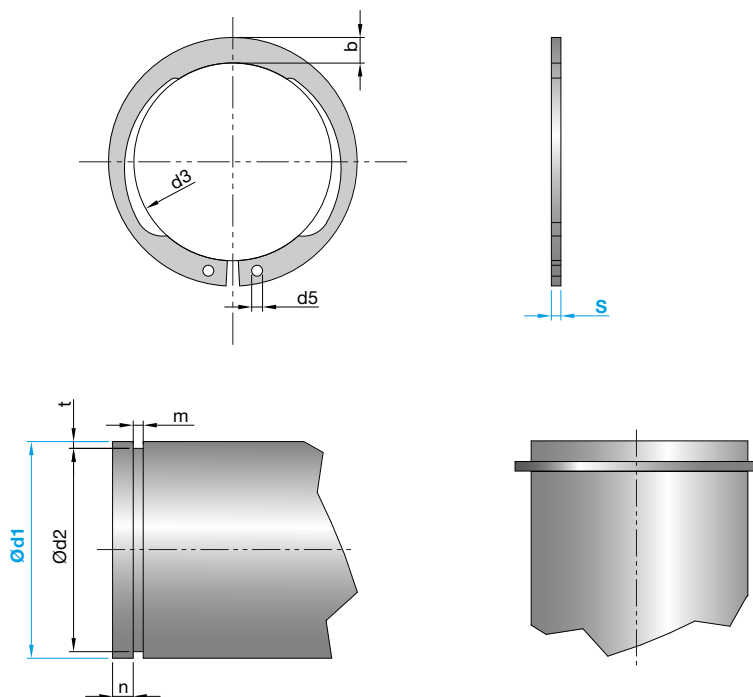




SN1792

External circlip for rod



Mat.: ST

d1	S	b	d2	d3	d5	m	≥n	t	Order No.
14	1.0	2.1	13.4	12.9	1.3	1.10	0.9	0.30	SN1792-14-1.0
16	1.0	2.3	15.2	14.7	1.3	1.10	1.2	0.40	SN1792-16-1.0
22	1.2	3.0	21.0	20.5	1.5	1.30	1.5	0.50	SN1792-22-1.2
24	1.2	3.2	22.9	22.2	1.5	1.30	1.6	0.55	SN1792-24-1.2
28	1.5	3.8	26.6	25.9	2.0	1.60	2.1	0.70	SN1792-28-1.5
32	1.5	4.0	30.3	29.6	2.0	1.60	2.5	0.85	SN1792-32-1.5
35	1.5	4.2	33.0	32.2	2.0	1.60	2.5	1.00	SN1792-35-1.5
40	1.75	4.7	37.5	36.5	2.0	1.85	3.8	1.25	SN1792-40-1.75
50	2.0	5.2	47.0	45.8	2.5	2.15	4.5	1.50	SN1792-50-2.0
60	2.0	5.8	57.0	55.8	2.5	2.15	4.5	1.50	SN1792-60-2.0
75	2.5	6.5	72.0	70.5	2.5	2.65	4.5	1.50	SN1792-75-2.5