

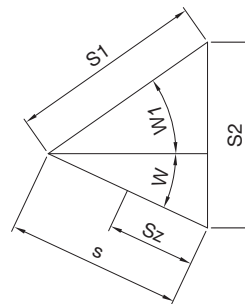
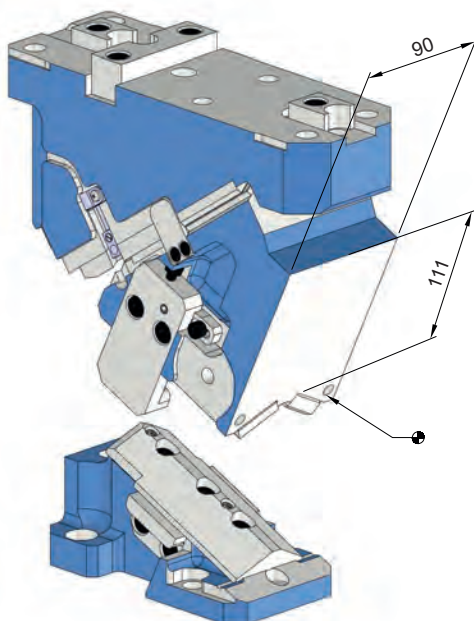
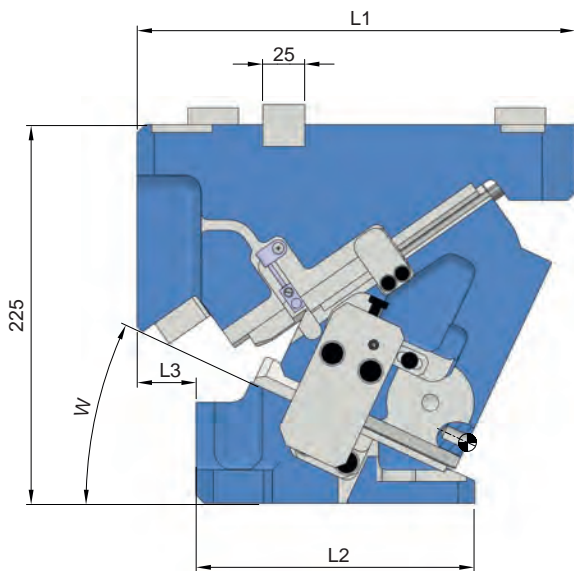


SN5650-PMO-0090-

Oben hängender Schieber

Aerial cam unit

Arbeitsfläche	<i>Working area</i>	90 x 111 mm
Schieberbreite max.	<i>Cam unit width max.</i>	90 mm
Einbauhöhe	<i>Installation height</i>	225 mm
Schieberkraft	<i>Cam force</i>	> 190 kN



Gusstoleranzgrad CT
nach DIN ISO 8062

(blau = Rohgussfläche)

Casting tolerance grade CT
according to DIN ISO 8062

(blue = raw casting area)

Positionskontrolle: Control of position:



Pos. 1

Schieber zusammengefahren
Cam is moved together



Pos. 2

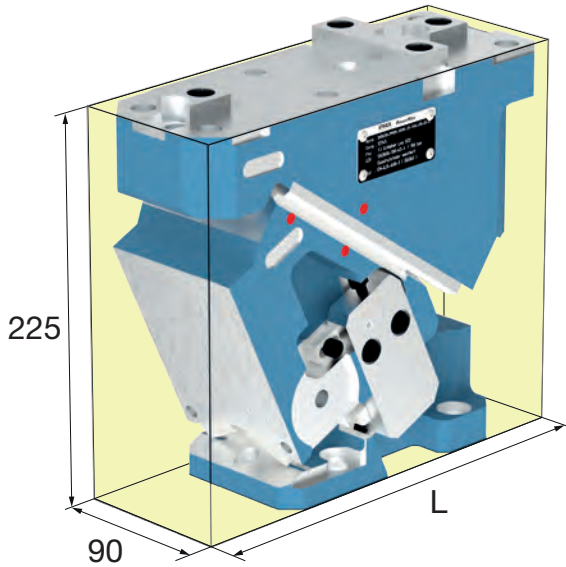
Schieber ausgefahren
Cam is extended

Sz = Eingriffslänge Aktivrückzug
Sz = Engagement length of activ return

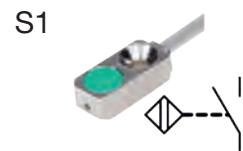
SN5650-PMO-0090-

Oben hängender Schieber

Aerial cam unit



Mat.: EN-GJS-600-3 (GGG 60)



W = Schieberwinkel
Cam Angle
E = Einarbeitung
Machining

G = Gasdruckfeder
Gas spring
SE = Sensor
Sensor

W	E	G	SE	L	W1	s	S1	S2	Sz	L1	L2	L3	No.
0°	E0	G0	S0	255	47	35.5	52	38	22	255	200	45	SN5650-PMO-0090-00-E0-G0-S0-V04
0°	E0	G0	S1	255	47	35.5	52	38	22	255	200	45	SN5650-PMO-0090-00-E0-G0-S1-V04
0°	E0	G1	S0	255	47	35.5	52	38	22	255	200	45	SN5650-PMO-0090-00-E0-G1-S0-V04
0°	E0	G1	S1	255	47	35.5	52	38	22	255	200	45	SN5650-PMO-0090-00-E0-G1-S1-V04
0°	E1	G0	S0	255	47	35.5	52	38	22	255	200	45	SN5650-PMO-0090-00-E1-G0-S0-V04
0°	E1	G0	S1	255	47	35.5	52	38	22	255	200	45	SN5650-PMO-0090-00-E1-G0-S1-V04
0°	E1	G1	S0	255	47	35.5	52	38	22	255	200	45	SN5650-PMO-0090-00-E1-G1-S0-V04
0°	E1	G1	S1	255	47	35.5	52	38	22	255	200	45	SN5650-PMO-0090-00-E1-G1-S1-V04
5°	E0	G0	S0	255	45	36.9	52	40	27	255	200	45	SN5650-PMO-0090-05-E0-G0-S0-V04
5°	E0	G0	S1	255	45	36.9	52	40	27	255	200	45	SN5650-PMO-0090-05-E0-G0-S1-V04
5°	E0	G1	S0	255	45	36.9	52	40	27	255	200	45	SN5650-PMO-0090-05-E0-G1-S0-V04
5°	E0	G1	S1	255	45	36.9	52	40	27	255	200	45	SN5650-PMO-0090-05-E0-G1-S1-V04
5°	E1	G0	S0	255	45	36.9	52	40	27	255	200	45	SN5650-PMO-0090-05-E1-G0-S0-V04
5°	E1	G0	S1	255	45	36.9	52	40	27	255	200	45	SN5650-PMO-0090-05-E1-G0-S1-V04
5°	E1	G1	S0	255	45	36.9	52	40	27	255	200	45	SN5650-PMO-0090-05-E1-G1-S0-V04
5°	E1	G1	S1	255	45	36.9	52	40	27	255	200	45	SN5650-PMO-0090-05-E1-G1-S1-V04
10°	E0	G0	S0	260	42	39.2	52	41.6	28	260	195	35	SN5650-PMO-0090-10-E0-G0-S0-V04
10°	E0	G0	S1	260	42	39.2	52	41.6	28	260	195	35	SN5650-PMO-0090-10-E0-G0-S1-V04
10°	E0	G1	S0	260	42	39.2	52	41.6	28	260	195	35	SN5650-PMO-0090-10-E0-G1-S0-V04
10°	E0	G1	S1	260	42	39.2	52	41.6	28	260	195	35	SN5650-PMO-0090-10-E0-G1-S1-V04
10°	E1	G0	S0	260	42	39.2	52	41.6	28	260	195	35	SN5650-PMO-0090-10-E1-G0-S0-V04
10°	E1	G0	S1	260	42	39.2	52	41.6	28	260	195	35	SN5650-PMO-0090-10-E1-G0-S1-V04
10°	E1	G1	S0	260	42	39.2	52	41.6	28	260	195	35	SN5650-PMO-0090-10-E1-G1-S0-V04
10°	E1	G1	S1	260	42	39.2	52	41.6	28	260	195	35	SN5650-PMO-0090-10-E1-G1-S1-V04
15°	E0	G0	S0	260	40	41.2	52	44.1	28	260	195	35	SN5650-PMO-0090-15-E0-G0-S0-V04
15°	E0	G0	S1	260	40	41.2	52	44.1	28	260	195	35	SN5650-PMO-0090-15-E0-G0-S1-V04
15°	E0	G1	S0	260	40	41.2	52	44.1	28	260	195	35	SN5650-PMO-0090-15-E0-G1-S0-V04
15°	E0	G1	S1	260	40	41.2	52	44.1	28	260	195	35	SN5650-PMO-0090-15-E0-G1-S1-V04
15°	E1	G0	S0	260	40	41.2	52	44.1	28	260	195	35	SN5650-PMO-0090-15-E1-G0-S0-V04
15°	E1	G0	S1	260	40	41.2	52	44.1	28	260	195	35	SN5650-PMO-0090-15-E1-G0-S1-V04



W	E	G	SE	L	W1	s	S1	S2	Sz	L1	L2	L3	No.
15°	E1	G1	S0	260	40	41.2	52	44.1	28	260	195	35	SN5650-PMO-0090-15-E1-G1-S0-V04
15°	E1	G1	S1	260	40	41.2	52	44.1	28	260	195	35	SN5650-PMO-0090-15-E1-G1-S1-V04
20°	E0	G0	S0	260	37	44.2	52	46.4	27	260	165	35	SN5650-PMO-0090-20-E0-G0-S0-V04
20°	E0	G0	S1	260	37	44.2	52	46.4	27	260	165	35	SN5650-PMO-0090-20-E0-G0-S1-V04
20°	E0	G1	S0	260	37	44.2	52	46.4	27	260	165	35	SN5650-PMO-0090-20-E0-G1-S0-V04
20°	E0	G1	S1	260	37	44.2	52	46.4	27	260	165	35	SN5650-PMO-0090-20-E0-G1-S1-V04
20°	E1	G0	S0	260	37	44.2	52	46.4	27	260	165	35	SN5650-PMO-0090-20-E1-G0-S0-V04
20°	E1	G0	S1	260	37	44.2	52	46.4	27	260	165	35	SN5650-PMO-0090-20-E1-G0-S1-V04
20°	E1	G1	S0	260	37	44.2	52	46.4	27	260	165	35	SN5650-PMO-0090-20-E1-G1-S0-V04
20°	E1	G1	S1	260	37	44.2	52	46.4	27	260	165	35	SN5650-PMO-0090-20-E1-G1-S1-V04
25°	E0	G0	S0	260	35	47	52	49.7	32	260	165	35	SN5650-PMO-0090-25-E0-G0-S0-V04
25°	E0	G0	S1	260	35	47	52	49.7	32	260	165	35	SN5650-PMO-0090-25-E0-G0-S1-V04
25°	E0	G1	S0	260	35	47	52	49.7	32	260	165	35	SN5650-PMO-0090-25-E0-G1-S0-V04
25°	E0	G1	S1	260	35	47	52	49.7	32	260	165	35	SN5650-PMO-0090-25-E0-G1-S1-V04
25°	E1	G0	S0	260	35	47	52	49.7	32	260	165	35	SN5650-PMO-0090-25-E1-G0-S0-V04
25°	E1	G0	S1	260	35	47	52	49.7	32	260	165	35	SN5650-PMO-0090-25-E1-G0-S1-V04
25°	E1	G1	S0	260	35	47	52	49.7	32	260	165	35	SN5650-PMO-0090-25-E1-G1-S0-V04
25°	E1	G1	S1	260	35	47	52	49.7	32	260	165	35	SN5650-PMO-0090-25-E1-G1-S1-V04
30°	E0	G0	S0	265	32	50.9	52	53	37	265	150	30	SN5650-PMO-0090-30-E0-G0-S0-V04
30°	E0	G0	S1	265	32	50.9	52	53	37	265	150	30	SN5650-PMO-0090-30-E0-G0-S1-V04
30°	E0	G1	S0	265	32	50.9	52	53	37	265	150	30	SN5650-PMO-0090-30-E0-G1-S0-V04
30°	E0	G1	S1	265	32	50.9	52	53	37	265	150	30	SN5650-PMO-0090-30-E0-G1-S1-V04
30°	E1	G0	S0	265	32	50.9	52	53	37	265	150	30	SN5650-PMO-0090-30-E1-G0-S0-V04
30°	E1	G0	S1	265	32	50.9	52	53	37	265	150	30	SN5650-PMO-0090-30-E1-G0-S1-V04
30°	E1	G1	S0	265	32	50.9	52	53	37	265	150	30	SN5650-PMO-0090-30-E1-G1-S0-V04
30°	E1	G1	S1	265	32	50.9	52	53	37	265	150	30	SN5650-PMO-0090-30-E1-G1-S1-V04
35°	E0	G0	S0	265	30	49.7	47	52	37	265	150	30	SN5650-PMO-0090-35-E0-G0-S0-V04
35°	E0	G0	S1	265	30	49.7	47	52	37	265	150	30	SN5650-PMO-0090-35-E0-G0-S1-V04
35°	E0	G1	S0	265	30	49.7	47	52	37	265	150	30	SN5650-PMO-0090-35-E0-G1-S0-V04
35°	E0	G1	S1	265	30	49.7	47	52	37	265	150	30	SN5650-PMO-0090-35-E0-G1-S1-V04
35°	E1	G0	S0	265	30	49.7	47	52	37	265	150	30	SN5650-PMO-0090-35-E1-G0-S0-V04
35°	E1	G0	S1	265	30	49.7	47	52	37	265	150	30	SN5650-PMO-0090-35-E1-G0-S1-V04
35°	E1	G1	S0	265	30	49.7	47	52	37	265	150	30	SN5650-PMO-0090-35-E1-G1-S0-V04
35°	E1	G1	S1	265	30	49.7	47	52	37	265	150	30	SN5650-PMO-0090-35-E1-G1-S1-V04
40°	E0	G0	S0	265	27	54.7	47	56.5	37	265	145	15	SN5650-PMO-0090-40-E0-G0-S0-V04
40°	E0	G0	S1	265	27	54.7	47	56.5	37	265	145	15	SN5650-PMO-0090-40-E0-G0-S1-V04
40°	E0	G1	S0	265	27	54.7	47	56.5	37	265	145	15	SN5650-PMO-0090-40-E0-G1-S0-V04
40°	E0	G1	S1	265	27	54.7	47	56.5	37	265	145	15	SN5650-PMO-0090-40-E0-G1-S1-V04
40°	E1	G0	S0	265	27	54.7	47	56.5	37	265	145	15	SN5650-PMO-0090-40-E1-G0-S0-V04
40°	E1	G0	S1	265	27	54.7	47	56.5	37	265	145	15	SN5650-PMO-0090-40-E1-G0-S1-V04
40°	E1	G1	S0	265	27	54.7	47	56.5	37	265	145	15	SN5650-PMO-0090-40-E1-G1-S0-V04
40°	E1	G1	S1	265	27	54.7	47	56.5	37	265	145	15	SN5650-PMO-0090-40-E1-G1-S1-V04
45°	E0	G0	S0	265	25	60.2	47	62.5	37	265	145	15	SN5650-PMO-0090-45-E0-G0-S0-V04
45°	E0	G0	S1	265	25	60.2	47	62.5	37	265	145	15	SN5650-PMO-0090-45-E0-G0-S1-V04
45°	E0	G1	S0	265	25	60.2	47	62.5	37	265	145	15	SN5650-PMO-0090-45-E0-G1-S0-V04
45°	E0	G1	S1	265	25	60.2	47	62.5	37	265	145	15	SN5650-PMO-0090-45-E0-G1-S1-V04
45°	E1	G0	S0	265	25	60.2	47	62.5	37	265	145	15	SN5650-PMO-0090-45-E1-G0-S0-V04
45°	E1	G0	S1	265	25	60.2	47	62.5	37	265	145	15	SN5650-PMO-0090-45-E1-G0-S1-V04
45°	E1	G1	S0	265	25	60.2	47	62.5	37	265	145	15	SN5650-PMO-0090-45-E1-G1-S0-V04
45°	E1	G1	S1	265	25	60.2	47	62.5	37	265	145	15	SN5650-PMO-0090-45-E1-G1-S1-V04
50°	E0	G0	S0	270	22	67.8	47	69.5	47	270	135	10	SN5650-PMO-0090-50-E0-G0-S0-V04
50°	E0	G0	S1	270	22	67.8	47	69.5	47	270	135	10	SN5650-PMO-0090-50-E0-G0-S1-V04
50°	E0	G1	S0	270	22	67.8	47	69.5	47	270	135	10	SN5650-PMO-0090-50-E0-G1-S0-V04
50°	E0	G1	S1	270	22	67.8	47	69.5	47	270	135	10	SN5650-PMO-0090-50-E0-G1-S1-V04
50°	E1	G0	S0	270	22	67.8	47	69.5	47	270	135	10	SN5650-PMO-0090-50-E1-G0-S0-V04

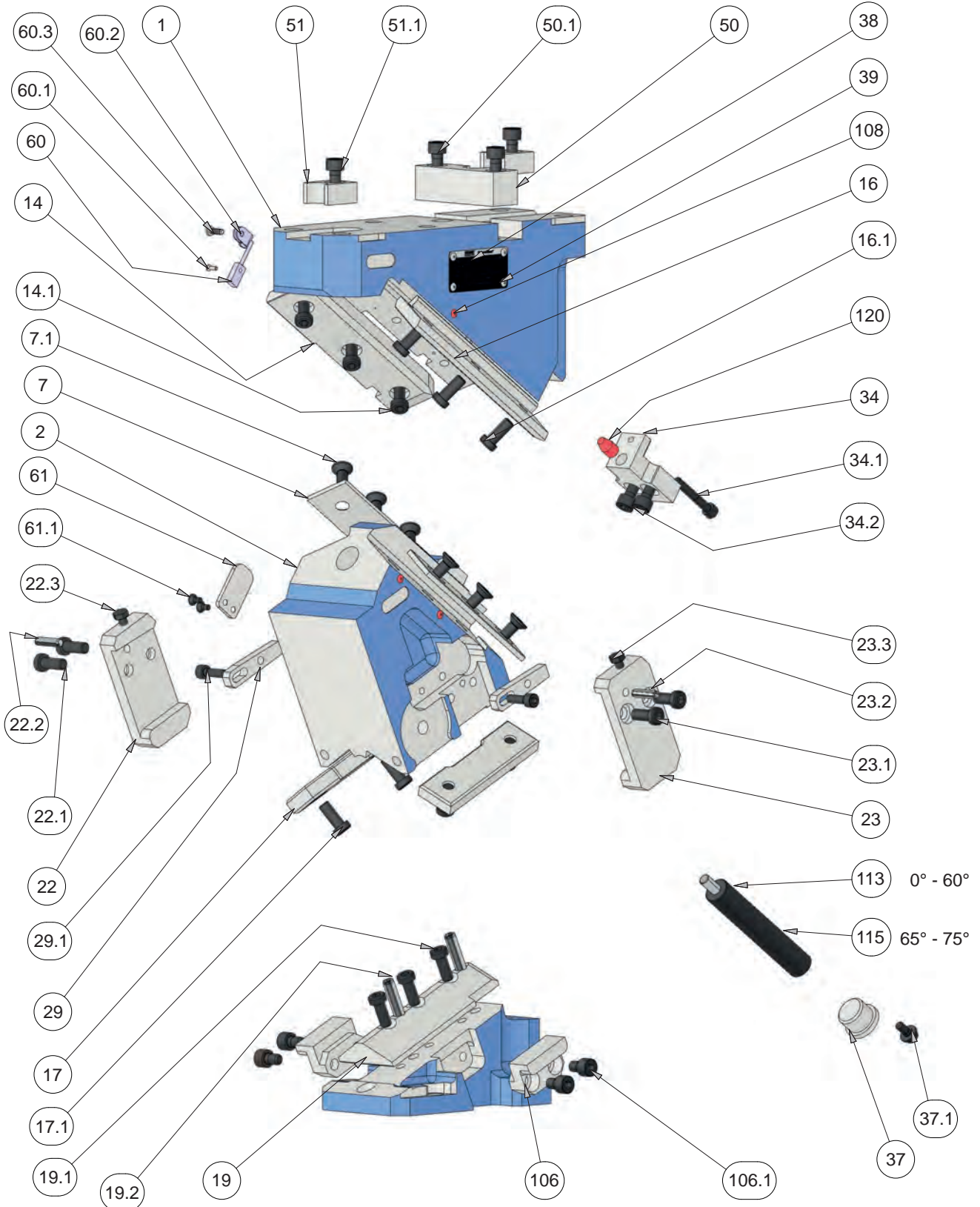


W	E	G	SE	L	W1	s	S1	S2	Sz	L1	L2	L3	No.
50°	E1	G0	S1	270	22	67.8	47	69.5	47	270	135	10	SN5650-PMO-0090-50-E1-G0-S1-V04
50°	E1	G1	S0	270	22	67.8	47	69.5	47	270	135	10	SN5650-PMO-0090-50-E1-G1-S0-V04
50°	E1	G1	S1	270	22	67.8	47	69.5	47	270	135	10	SN5650-PMO-0090-50-E1-G1-S1-V04
55°	E0	G0	S0	270	20	68.8	42	70.7	47	270	135	10	SN5650-PMO-0090-55-E0-G0-S0-V04
55°	E0	G0	S1	270	20	68.8	42	70.7	47	270	135	10	SN5650-PMO-0090-55-E0-G0-S1-V04
55°	E0	G1	S0	270	20	68.8	42	70.7	47	270	135	10	SN5650-PMO-0090-55-E0-G1-S0-V04
55°	E0	G1	S1	270	20	68.8	42	70.7	47	270	135	10	SN5650-PMO-0090-55-E0-G1-S1-V04
55°	E1	G0	S0	270	20	68.8	42	70.7	47	270	135	10	SN5650-PMO-0090-55-E1-G0-S0-V04
55°	E1	G0	S1	270	20	68.8	42	70.7	47	270	135	10	SN5650-PMO-0090-55-E1-G0-S1-V04
55°	E1	G1	S0	270	20	68.8	42	70.7	47	270	135	10	SN5650-PMO-0090-55-E1-G1-S0-V04
55°	E1	G1	S1	270	20	68.8	42	70.7	47	270	135	10	SN5650-PMO-0090-55-E1-G1-S1-V04
60°	E0	G0	S0	275	17	70.8	37	72.1	32	275	115	15	SN5650-PMO-0090-60-E0-G0-S0-V04
60°	E0	G0	S1	275	17	70.8	37	72.1	32	275	115	15	SN5650-PMO-0090-60-E0-G0-S1-V04
60°	E0	G1	S0	275	17	70.8	37	72.1	32	275	115	15	SN5650-PMO-0090-60-E0-G1-S0-V04
60°	E0	G1	S1	275	17	70.8	37	72.1	32	275	115	15	SN5650-PMO-0090-60-E0-G1-S1-V04
60°	E1	G0	S0	275	17	70.8	37	72.1	32	275	115	15	SN5650-PMO-0090-60-E1-G0-S0-V04
60°	E1	G0	S1	275	17	70.8	37	72.1	32	275	115	15	SN5650-PMO-0090-60-E1-G0-S1-V04
60°	E1	G1	S0	275	17	70.8	37	72.1	32	275	115	15	SN5650-PMO-0090-60-E1-G1-S0-V04
60°	E1	G1	S1	275	17	70.8	37	72.1	32	275	115	15	SN5650-PMO-0090-60-E1-G1-S1-V04
65°	E0	G0	S0	275	15	73.1	32	74.6	32	275	115	15	SN5650-PMO-0090-65-E0-G0-S0-V04
65°	E0	G0	S1	275	15	73.1	32	74.6	32	275	115	15	SN5650-PMO-0090-65-E0-G0-S1-V04
65°	E0	G1	S0	275	15	73.1	32	74.6	32	275	115	15	SN5650-PMO-0090-65-E0-G1-S0-V04
65°	E0	G1	S1	275	15	73.1	32	74.6	32	275	115	15	SN5650-PMO-0090-65-E0-G1-S1-V04
65°	E1	G0	S0	275	15	73.1	32	74.6	32	275	115	15	SN5650-PMO-0090-65-E1-G0-S0-V04
65°	E1	G0	S1	275	15	73.1	32	74.6	32	275	115	15	SN5650-PMO-0090-65-E1-G0-S1-V04
65°	E1	G1	S0	275	15	73.1	32	74.6	32	275	115	15	SN5650-PMO-0090-65-E1-G1-S0-V04
65°	E1	G1	S1	275	15	73.1	32	74.6	32	275	115	15	SN5650-PMO-0090-65-E1-G1-S1-V04
70°	E0	G0	S0	275	12	77.2	27	78.2	32	270	110	5	SN5650-PMO-0090-70-E0-G0-S0-V04
70°	E0	G0	S1	275	12	77.2	27	78.2	32	270	110	5	SN5650-PMO-0090-70-E0-G0-S1-V04
70°	E0	G1	S0	275	12	77.2	27	78.2	32	270	110	5	SN5650-PMO-0090-70-E0-G1-S0-V04
70°	E0	G1	S1	275	12	77.2	27	78.2	32	270	110	5	SN5650-PMO-0090-70-E0-G1-S1-V04
70°	E1	G0	S0	275	12	77.2	27	78.2	32	270	110	5	SN5650-PMO-0090-70-E1-G0-S0-V04
70°	E1	G0	S1	275	12	77.2	27	78.2	32	270	110	5	SN5650-PMO-0090-70-E1-G0-S1-V04
70°	E1	G1	S0	275	12	77.2	27	78.2	32	270	110	5	SN5650-PMO-0090-70-E1-G1-S0-V04
70°	E1	G1	S1	275	12	77.2	27	78.2	32	270	110	5	SN5650-PMO-0090-70-E1-G1-S1-V04
75°	E0	G0	S0	275	10	83.7	22	84.7	32	270	110	5	SN5650-PMO-0090-75-E0-G0-S0-V04
75°	E0	G0	S1	275	10	83.7	22	84.7	32	270	110	5	SN5650-PMO-0090-75-E0-G0-S1-V04
75°	E0	G1	S0	275	10	83.7	22	84.7	32	270	110	5	SN5650-PMO-0090-75-E0-G1-S0-V04
75°	E0	G1	S1	275	10	83.7	22	84.7	32	270	110	5	SN5650-PMO-0090-75-E0-G1-S1-V04
75°	E1	G0	S0	275	10	83.7	22	84.7	32	270	110	5	SN5650-PMO-0090-75-E1-G0-S0-V04
75°	E1	G0	S1	275	10	83.7	22	84.7	32	270	110	5	SN5650-PMO-0090-75-E1-G0-S1-V04
75°	E1	G1	S0	275	10	83.7	22	84.7	32	270	110	5	SN5650-PMO-0090-75-E1-G1-S0-V04
75°	E1	G1	S1	275	10	83.7	22	84.7	32	270	110	5	SN5650-PMO-0090-75-E1-G1-S1-V04

SN5650-PMO-0090-

Bauteile

Components

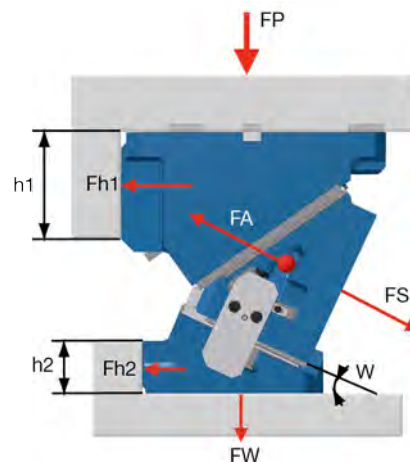


SN5650-PMO-0090-

Kraftverteilung

Force Distribution

W	FS [kN]	FP [kN]	Fh1 [kN]	FW [kN]	Fh2 [kN]	h1 [mm]	h2 [mm]	FA [kN]
00°	190	178	190	178	0	143	30	22
05°	198	186	182	169	14	136	33	24
10°	205	194	174	159	28	128	35	26
15°	212	202	165	146	38	124	48	24
20°	218	209	156	134	49	120	60	22
25°	234	224	152	125	58	115	65	24
30°	249	240	149	116	67	110	70	26
35°	255	246	138	100	69	102	75	26
40°	260	252	128	85	72	94	80	26
45°	264	257	116	71	69	84	80	26
50°	268	262	105	57	67	75	79	26
55°	277	272	95	45	63	70	92	27
60°	286	281	85	33	58	65	105	27
65°	289	284	75	22	47	60	105	28
70°	296	292	64	15	37	53	108	28
75°	303	300	52	7	27	45	110	28



W = Schieberwinkel
FP = P-Presse
FW = W-Werkzeug
FS = S-Schieberkraft
FA = A-Abstreifkraft
Fh1 = h1-Abschulterung oben
Fh2 = h2-Abschulterung unten

W = Cam Angle
FP = P-Press
FW = W-Tool
FS = S-Cam Force
FA = A-Retractility
Fh1 = h1-Shouldering above
Fh2 = h2-Shouldering below

SN5650-PMO-0090-

Schieberkräfte

Cam Force

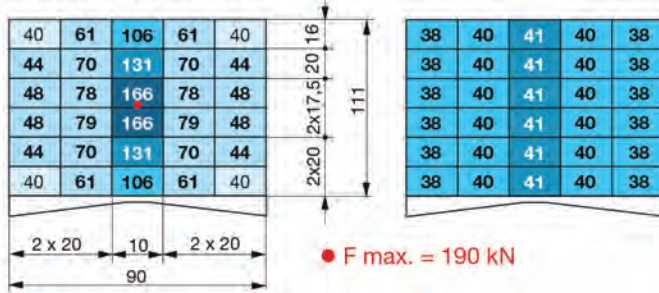
Abschulterung

Shouldering

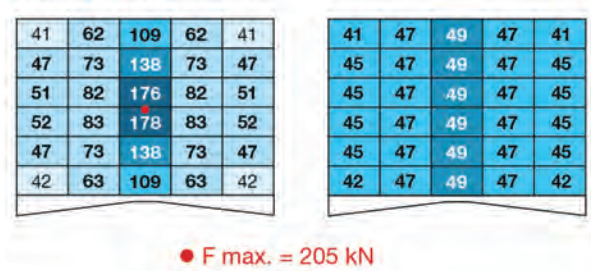
Passfeder

Fitting Key

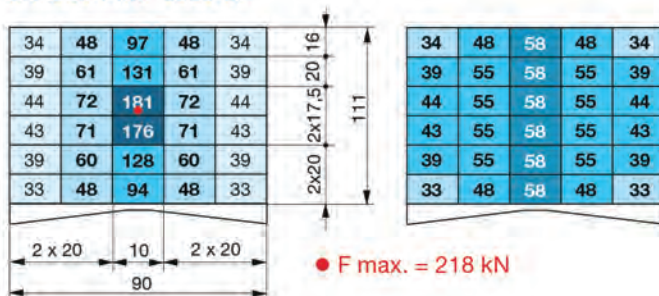
SN5650-PMO-0090-0°



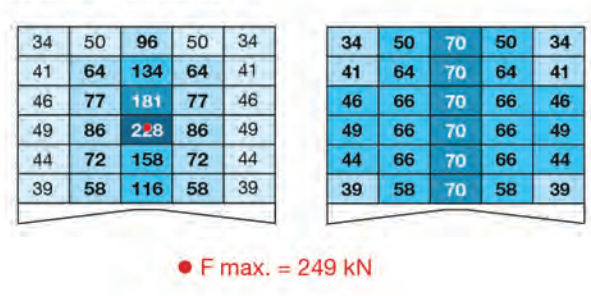
SN5650-PMO-0090-10°



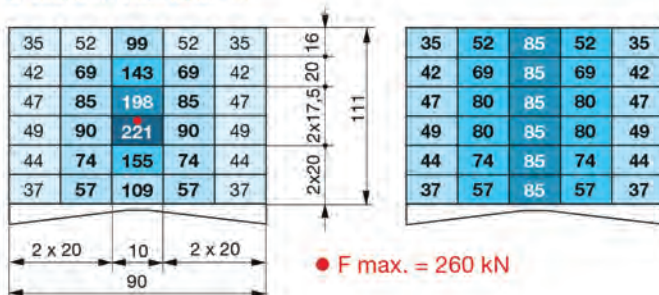
SN5650-PMO-0090-20°



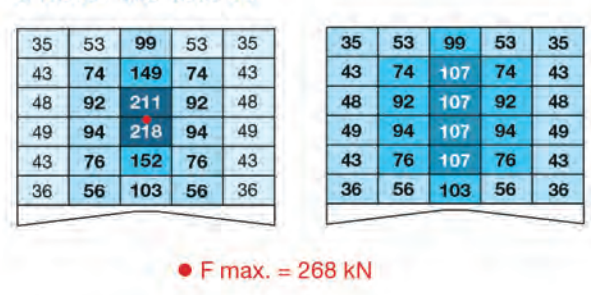
SN5650-PMO-0090-30°



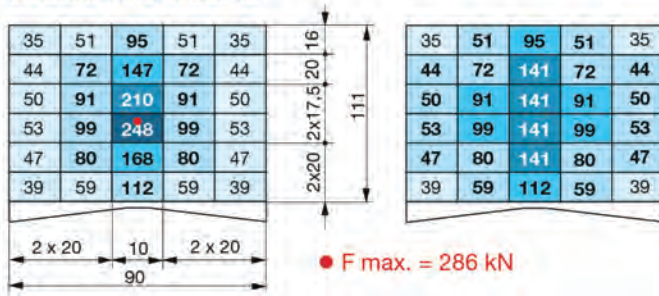
SN5650-PMO-0090-40°



SN5650-PMO-0090-50°



SN5650-PMO-0090-60°



SN5650-PMO-0090-70°

