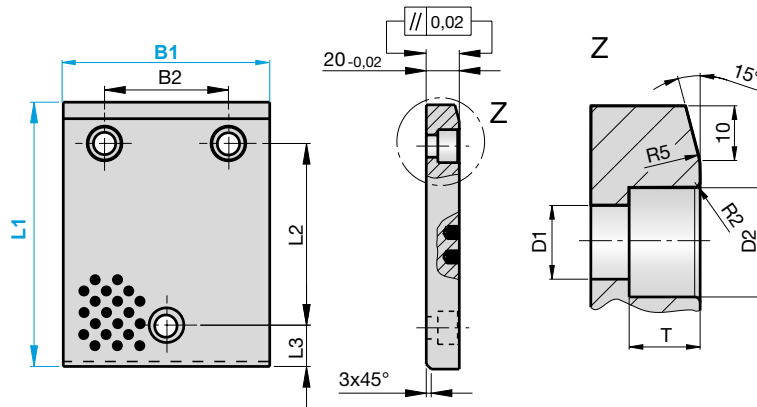




SN4174

Wear plate with solid lubricant



Mat.:
2.0598 / Graphit
Norm: VDI 3357
T: < 150 °C
190–220 HB S10/3000

Form	B1	L1	B2	D1	D2	L2	L3	T	Bohrungen	Order No.
B	50	80	0	9.0	15	30	25	9	2	SN4174-B-50-80
B	50	100	0	13.5	20	50	25	13	2	SN4174-B-50-100
B	50	125	0	13.5	20	75	25	13	2	SN4174-B-50-125
B	50	160	0	13.5	20	110	25	13	2	SN4174-B-50-160
B	50	200	0	13.5	20	150	25	13	2	SN4174-B-50-200
B	80	80	0	13.5	20	30	25	13	2	SN4174-B-80-80
B	80	100	0	13.5	20	50	25	13	2	SN4174-B-80-100
B	80	125	0	13.5	20	75	25	13	2	SN4174-B-80-125
B	80	160	0	13.5	20	110	25	13	2	SN4174-B-80-160
B	80	200	0	13.5	20	150	25	13	2	SN4174-B-80-200
B	80	250	0	13.5	20	170	40	13	2	SN4174-B-80-250
B	80	315	0	13.5	20	235	40	13	2	SN4174-B-80-315
B	100	100	0	13.5	20	50	25	13	2	SN4174-B-100-100
B	100	125	0	13.5	20	75	25	13	2	SN4174-B-100-125
B	100	160	0	13.5	20	110	25	13	2	SN4174-B-100-160
B	100	200	0	13.5	20	150	25	13	2	SN4174-B-100-200
B	100	250	0	13.5	20	170	40	13	2	SN4174-B-100-250
B	100	315	0	13.5	20	235	40	13	2	SN4174-B-100-315
D	80	50	30	9.0	15	0	25	9	2	SN4174-D-80-50
D	100	50	50	13.5	20	0	25	13	2	SN4174-D-100-50
D	100	80	50	13.5	20	0	40	13	2	SN4174-D-100-80
D	125	50	75	13.5	20	0	25	13	2	SN4174-D-125-50
D	125	80	75	13.5	20	0	40	13	2	SN4174-D-125-80
D	160	50	110	13.5	20	0	25	13	2	SN4174-D-160-50
D	160	80	110	13.5	20	0	40	13	2	SN4174-D-160-80
F	160	250	110	13.5	20	170	40	13	4	SN4174-F-160-250
F	160	315	110	13.5	20	235	40	13	4	SN4174-F-160-315
G	125	100	75	13.5	20	50	25	13	3	SN4174-G-125-100
G	125	125	75	13.5	20	75	25	13	3	SN4174-G-125-125
G	125	160	75	13.5	20	110	25	13	3	SN4174-G-125-160
G	125	200	75	13.5	20	150	25	13	3	SN4174-G-125-200
G	125	250	75	13.5	20	170	40	13	3	SN4174-G-125-250
G	125	315	75	13.5	20	235	40	13	3	SN4174-G-125-315
G	160	100	110	13.5	20	50	25	13	3	SN4174-G-160-100
G	160	125	110	13.5	20	75	25	13	3	SN4174-G-160-125
G	160	160	110	13.5	20	110	25	13	3	SN4174-G-160-160
G	160	200	110	13.5	20	150	25	13	3	SN4174-G-160-200

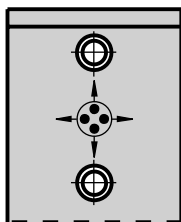


SN4174

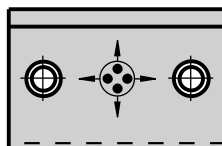
Wear plate with solid lubricant



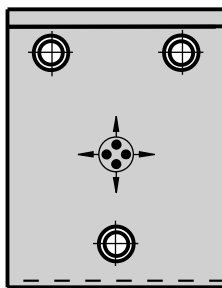
Form B



Form D



Form G



Form F

