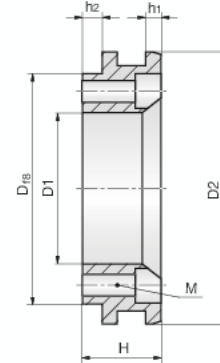
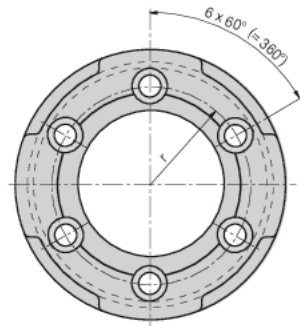


2

Zentrierflansche

Centering adaptors

Rondelles de centrage

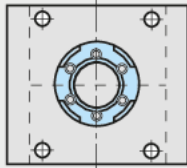


Z8071-

Mat.: ST



Z8071-D2-h2



D2	h2	h1	H	D1	D	r	M
60	3,5	6	21,5	25	50	19	M6
100	3,5	6	26,5	60	90	38	M8
100	9,0	6	32,0	60	90	38	M8
100	11,0	6	34,0	60	90	38	M8
110	3,5	6	26,5	64	90	40	M8
110	9,0	6	32,0	64	90	40	M8
110	11,0	6	34,0	64	90	40	M8
125	3,5	8	28,5	64	90	40	M8
125	9,0	8	34,0	64	90	40	M8
125	11,0	8	36,0	64	90	40	M8
160	3,5	15	40,5	80	90	55	M10
160	9,0	15	46,0	80	90	55	M10
160	11,0	15	48,0	80	90	55	M10