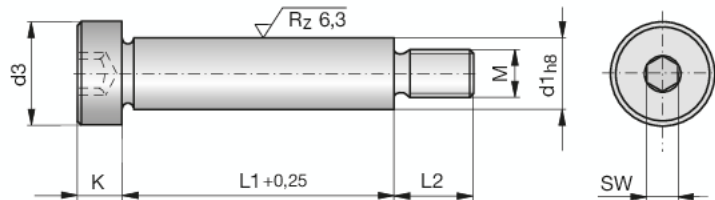


Führungsschrauben

Guide screws

Vis épaulée

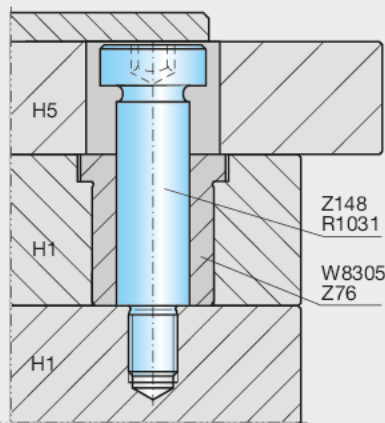
1



Z148-

Mat.: 12.9
1180-1370 N/mm²

Z148-d1-L1



d1	L1	M	d3	L2	K	SW	d1	L1	M	d3	L2	K	SW
6	10	M5	10	9,5	4,5	3	12	70	M10	18	16	9,0	6
	12	M5	10	9,5	4,5	3		80	M10	18	16	9,0	6
	16	M5	10	9,5	4,5	3		90	M10	18	16	9,0	6
	20	M5	10	9,5	4,5	3		100	M10	18	16	9,0	6
	25	M5	10	9,5	4,5	3		16	30	M12	24	18	11,0
30	M5	10	9,5	4,5	3	40	M12		24	18	11,0	8	
40	M5	10	9,5	4,5	3	50	M12		24	18	11,0	8	
8	12	M6	13	11	5,5	4	60		M12	24	18	11,0	8
	16	M6	13	11	5,5	4	70		M12	24	18	11,0	8
	20	M6	13	11	5,5	4	80	M12	24	18	11,0	8	
	25	M6	13	11	5,5	4	90	M12	24	18	11,0	8	
	30	M6	13	11	5,5	4	100	M12	24	18	11,0	8	
10	40	M6	13	11	5,5	4	20	120	M12	24	18	11,0	8
	50	M6	13	11	5,5	4		40	M16	30	22	14,0	10
	16	M8	16	13	7,0	5		50	M16	30	22	14,0	10
	20	M8	16	13	7,0	5		60	M16	30	22	14,0	10
	25	M8	16	13	7,0	5		70	M16	30	22	14,0	10
	30	M8	16	13	7,0	5	80	M16	30	22	14,0	10	
	40	M8	16	13	7,0	5	90	M16	30	22	14,0	10	
	50	M8	16	13	7,0	5	100	M16	30	22	14,0	10	
	60	M8	16	13	7,0	5	120	M16	30	22	14,0	10	
	70	M8	16	13	7,0	5	24	50	M20	36	27	16,0	12
80	M8	16	13	7,0	5	60		M20	36	27	16,0	12	
12	16	M10	18	16	9,0	6		70	M20	36	27	16,0	12
	20	M10	18	16	9,0	6		80	M20	36	27	16,0	12
	25	M10	18	16	9,0	6		90	M20	36	27	16,0	12
	30	M10	18	16	9,0	6	100	M20	36	27	16,0	12	
	40	M10	18	16	9,0	6	120	M20	36	27	16,0	12	
50	M10	18	16	9,0	6								
60	M10	18	16	9,0	6								