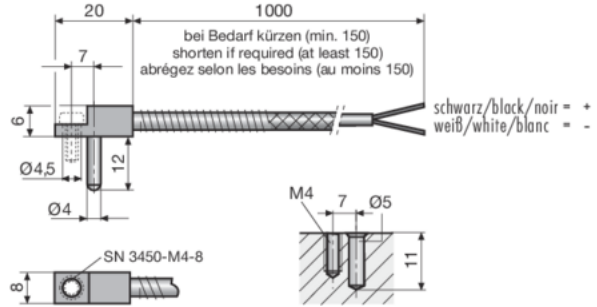


Thermofühler

Thermocouple

Thermocouple



Z7024

Mat.: Fe-CuNi Typ J
max. 400 °C



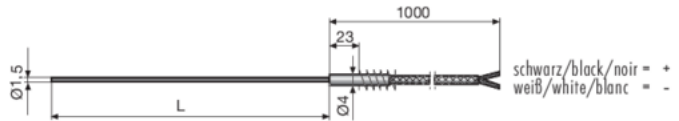
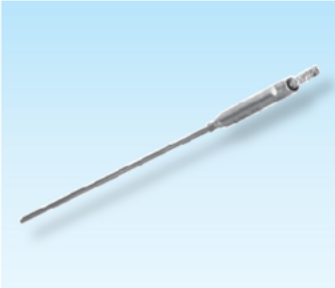
Z7024



Thermofühler

Thermocouple

Thermocouple



Z7025-

Mat.: Fe-CuNi Typ J
max. 400 °C



Z7025-L



L

100

150

200

300