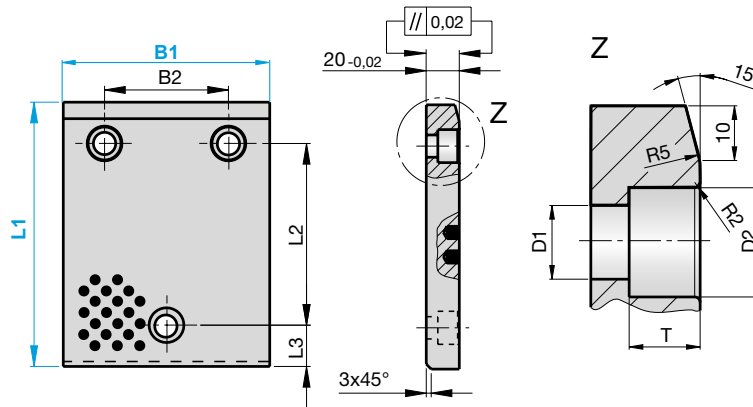




SN4174

Gleitplatte mit Festschmierstoff



Mat.:
2.0598 / Graphit
Norm: VDI 3357
T: < 150 °C
190–220 HB S10/3000

| Form | B1 | L1 | B2 | D1 | D2 | L2 | L3 | T | Bohrungen | Order No. |
|------|-----|-----|-----|------|----|-----|----|----|-----------|------------------|
| B | 50 | 80 | 0 | 9.0 | 15 | 30 | 25 | 9 | 2 | SN4174-B-50-80 |
| B | 50 | 100 | 0 | 13.5 | 20 | 50 | 25 | 13 | 2 | SN4174-B-50-100 |
| B | 50 | 125 | 0 | 13.5 | 20 | 75 | 25 | 13 | 2 | SN4174-B-50-125 |
| B | 50 | 160 | 0 | 13.5 | 20 | 110 | 25 | 13 | 2 | SN4174-B-50-160 |
| B | 50 | 200 | 0 | 13.5 | 20 | 150 | 25 | 13 | 2 | SN4174-B-50-200 |
| B | 80 | 80 | 0 | 13.5 | 20 | 30 | 25 | 13 | 2 | SN4174-B-80-80 |
| B | 80 | 100 | 0 | 13.5 | 20 | 50 | 25 | 13 | 2 | SN4174-B-80-100 |
| B | 80 | 125 | 0 | 13.5 | 20 | 75 | 25 | 13 | 2 | SN4174-B-80-125 |
| B | 80 | 160 | 0 | 13.5 | 20 | 110 | 25 | 13 | 2 | SN4174-B-80-160 |
| B | 80 | 200 | 0 | 13.5 | 20 | 150 | 25 | 13 | 2 | SN4174-B-80-200 |
| B | 80 | 250 | 0 | 13.5 | 20 | 170 | 40 | 13 | 2 | SN4174-B-80-250 |
| B | 80 | 315 | 0 | 13.5 | 20 | 235 | 40 | 13 | 2 | SN4174-B-80-315 |
| B | 100 | 100 | 0 | 13.5 | 20 | 50 | 25 | 13 | 2 | SN4174-B-100-100 |
| B | 100 | 125 | 0 | 13.5 | 20 | 75 | 25 | 13 | 2 | SN4174-B-100-125 |
| B | 100 | 160 | 0 | 13.5 | 20 | 110 | 25 | 13 | 2 | SN4174-B-100-160 |
| B | 100 | 200 | 0 | 13.5 | 20 | 150 | 25 | 13 | 2 | SN4174-B-100-200 |
| B | 100 | 250 | 0 | 13.5 | 20 | 170 | 40 | 13 | 2 | SN4174-B-100-250 |
| B | 100 | 315 | 0 | 13.5 | 20 | 235 | 40 | 13 | 2 | SN4174-B-100-315 |
| D | 80 | 50 | 30 | 9.0 | 15 | 0 | 25 | 9 | 2 | SN4174-D-80-50 |
| D | 100 | 50 | 50 | 13.5 | 20 | 0 | 25 | 13 | 2 | SN4174-D-100-50 |
| D | 100 | 80 | 50 | 13.5 | 20 | 0 | 40 | 13 | 2 | SN4174-D-100-80 |
| D | 125 | 50 | 75 | 13.5 | 20 | 0 | 25 | 13 | 2 | SN4174-D-125-50 |
| D | 125 | 80 | 75 | 13.5 | 20 | 0 | 40 | 13 | 2 | SN4174-D-125-80 |
| D | 160 | 50 | 110 | 13.5 | 20 | 0 | 25 | 13 | 2 | SN4174-D-160-50 |
| D | 160 | 80 | 110 | 13.5 | 20 | 0 | 40 | 13 | 2 | SN4174-D-160-80 |
| F | 160 | 250 | 110 | 13.5 | 20 | 170 | 40 | 13 | 4 | SN4174-F-160-250 |
| F | 160 | 315 | 110 | 13.5 | 20 | 235 | 40 | 13 | 4 | SN4174-F-160-315 |
| G | 125 | 100 | 75 | 13.5 | 20 | 50 | 25 | 13 | 3 | SN4174-G-125-100 |
| G | 125 | 125 | 75 | 13.5 | 20 | 75 | 25 | 13 | 3 | SN4174-G-125-125 |
| G | 125 | 160 | 75 | 13.5 | 20 | 110 | 25 | 13 | 3 | SN4174-G-125-160 |
| G | 125 | 200 | 75 | 13.5 | 20 | 150 | 25 | 13 | 3 | SN4174-G-125-200 |
| G | 125 | 250 | 75 | 13.5 | 20 | 170 | 40 | 13 | 3 | SN4174-G-125-250 |
| G | 125 | 315 | 75 | 13.5 | 20 | 235 | 40 | 13 | 3 | SN4174-G-125-315 |
| G | 160 | 100 | 110 | 13.5 | 20 | 50 | 25 | 13 | 3 | SN4174-G-160-100 |
| G | 160 | 125 | 110 | 13.5 | 20 | 75 | 25 | 13 | 3 | SN4174-G-160-125 |
| G | 160 | 160 | 110 | 13.5 | 20 | 110 | 25 | 13 | 3 | SN4174-G-160-160 |
| G | 160 | 200 | 110 | 13.5 | 20 | 150 | 25 | 13 | 3 | SN4174-G-160-200 |

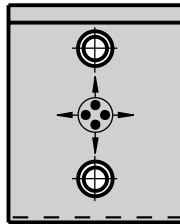


SN4174

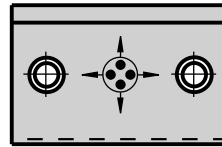
Gleitplatte mit Festschmierstoff



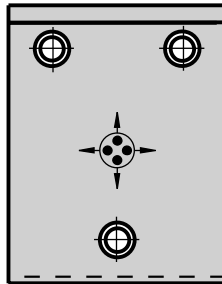
Form B



Form D



Form G



Form F

