

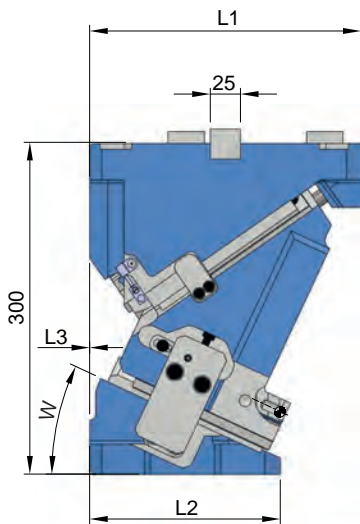


## SN5650-PMOK-0165-

### Oben hängender Kompakt-Normschieber

Compact aerial cam unit

<b>Arbeitsfläche</b>	<i>Working area</i>	165 x 130 mm
<b>Schieberbreite max.</b>	<i>Cam unit width max.</i>	165 mm
<b>Einbauhöhe</b>	<i>Installation height</i>	300 mm
<b>Schieberkraft</b>	<i>Cam force</i>	> 379 kN



Gusstoleranzgrad CT  
nach DIN ISO 8062

(blau = Rohgussfläche)

Casting tolerance grade CT  
according to DIN ISO 8062

(blue = raw casting area)

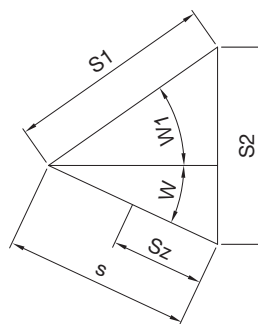
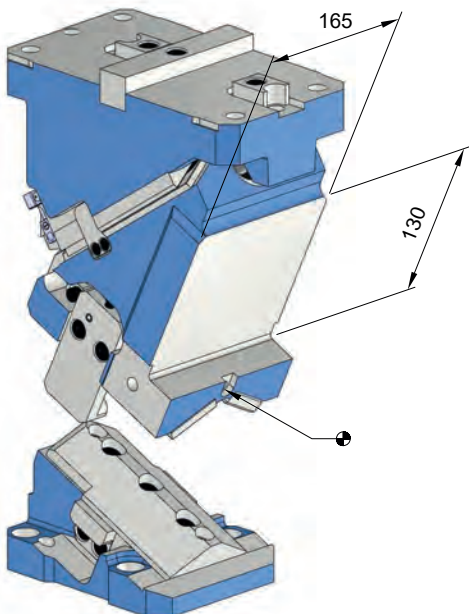
**Positionskontrolle:**  
**Control of position:**



**Pos. 1**  
Schieber zusammengefahren  
Cam is moved together



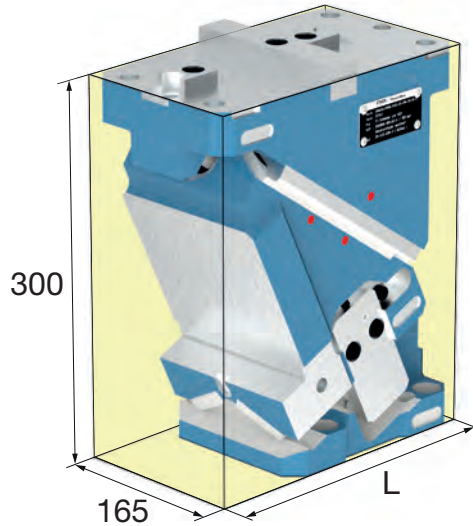
**Pos. 2**  
Schieber ausgefahren  
Cam is extended



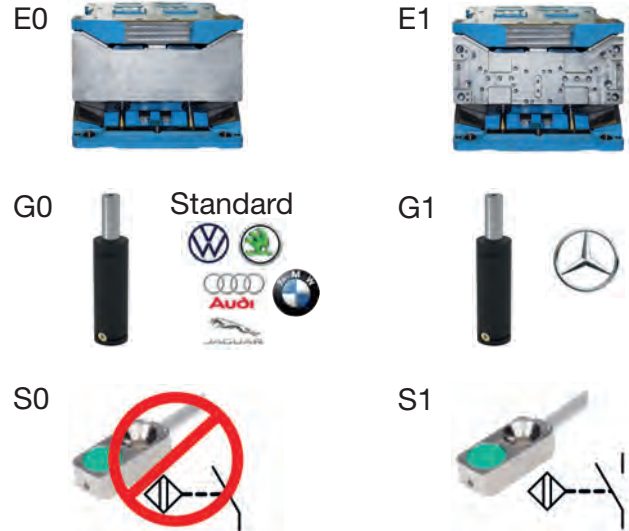
Sz = Eingriffslänge Aktivrückzug  
Sz = Engagement length of activ return

## SN5650-PMOK-0165-

### Oben hängender Kompakt-Normschieber



Mat.: EN-GJS-600-3 (GGG 60)



W = Schieberwinkel  
Cam Angle

E = Einarbeitung  
Machining

G = Gasdruckfeder  
Gas spring

SE = Sensor  
Sensor

W	E	G	SE	L	W1	s	S1	S2	Sz	L1	L2	L3	No.
0°	E0	G0	S0	230	47	28.6	42	30.7	15.4	230	225	0	SN5650-PMOK-0165-00-E0-G0-S0-V04
0°	E0	G0	S1	230	47	28.6	42	30.7	15.4	230	225	0	SN5650-PMOK-0165-00-E0-G0-S1-V04
0°	E0	G1	S0	230	47	28.6	42	30.7	15.4	230	225	0	SN5650-PMOK-0165-00-E0-G1-S0-V04
0°	E0	G1	S1	230	47	28.6	42	30.7	15.4	230	225	0	SN5650-PMOK-0165-00-E0-G1-S1-V04
0°	E1	G0	S0	230	47	28.6	42	30.7	15.4	230	225	0	SN5650-PMOK-0165-00-E1-G0-S0-V04
0°	E1	G0	S1	230	47	28.6	42	30.7	15.4	230	225	0	SN5650-PMOK-0165-00-E1-G0-S1-V04
0°	E1	G1	S0	230	47	28.6	42	30.7	15.4	230	225	0	SN5650-PMOK-0165-00-E1-G1-S0-V04
0°	E1	G1	S1	230	47	28.6	42	30.7	15.4	230	225	0	SN5650-PMOK-0165-00-E1-G1-S1-V04
5°	E0	G0	S0	230	45	29.8	42	32.3	15.4	230	225	0	SN5650-PMOK-0165-05-E0-G0-S0-V04
5°	E0	G0	S1	230	45	29.8	42	32.3	15.4	230	225	0	SN5650-PMOK-0165-05-E0-G0-S1-V04
5°	E0	G1	S0	230	45	29.8	42	32.3	15.4	230	225	0	SN5650-PMOK-0165-05-E0-G1-S0-V04
5°	E0	G1	S1	230	45	29.8	42	32.3	15.4	230	225	0	SN5650-PMOK-0165-05-E0-G1-S1-V04
5°	E1	G0	S0	230	45	29.8	42	32.3	15.4	230	225	0	SN5650-PMOK-0165-05-E1-G0-S0-V04
5°	E1	G0	S1	230	45	29.8	42	32.3	15.4	230	225	0	SN5650-PMOK-0165-05-E1-G0-S1-V04
5°	E1	G1	S0	230	45	29.8	42	32.3	15.4	230	225	0	SN5650-PMOK-0165-05-E1-G1-S0-V04
5°	E1	G1	S1	230	45	29.8	42	32.3	15.4	230	225	0	SN5650-PMOK-0165-05-E1-G1-S1-V04
10°	E0	G0	S0	230	42	31.7	42	33.6	21.4	230	215	0	SN5650-PMOK-0165-10-E0-G0-S0-V04
10°	E0	G0	S1	230	42	31.7	42	33.6	21.4	230	215	0	SN5650-PMOK-0165-10-E0-G0-S1-V04
10°	E0	G1	S0	230	42	31.7	42	33.6	21.4	230	215	0	SN5650-PMOK-0165-10-E0-G1-S0-V04
10°	E0	G1	S1	230	42	31.7	42	33.6	21.4	230	215	0	SN5650-PMOK-0165-10-E0-G1-S1-V04
10°	E1	G0	S0	230	42	31.7	42	33.6	21.4	230	215	0	SN5650-PMOK-0165-10-E1-G0-S0-V04
10°	E1	G0	S1	230	42	31.7	42	33.6	21.4	230	215	0	SN5650-PMOK-0165-10-E1-G0-S1-V04
10°	E1	G1	S0	230	42	31.7	42	33.6	21.4	230	215	0	SN5650-PMOK-0165-10-E1-G1-S0-V04
10°	E1	G1	S1	230	42	31.7	42	33.6	21.4	230	215	0	SN5650-PMOK-0165-10-E1-G1-S1-V04
15°	E0	G0	S0	230	40	33.3	42	35.6	21.4	230	215	0	SN5650-PMOK-0165-15-E0-G0-S0-V04
15°	E0	G0	S1	230	40	33.3	42	35.6	21.4	230	215	0	SN5650-PMOK-0165-15-E0-G0-S1-V04
15°	E0	G1	S0	230	40	33.3	42	35.6	21.4	230	215	0	SN5650-PMOK-0165-15-E0-G1-S0-V04
15°	E0	G1	S1	230	40	33.3	42	35.6	21.4	230	215	0	SN5650-PMOK-0165-15-E0-G1-S1-V04
15°	E1	G0	S0	230	40	33.3	42	35.6	21.4	230	215	0	SN5650-PMOK-0165-15-E1-G0-S0-V04
15°	E1	G0	S1	230	40	33.3	42	35.6	21.4	230	215	0	SN5650-PMOK-0165-15-E1-G0-S1-V04
15°	E1	G1	S0	230	40	33.3	42	35.6	21.4	230	215	0	SN5650-PMOK-0165-15-E1-G1-S0-V04



W	E	G	SE	L	W1	s	S1	S2	Sz	L1	L2	L3	No.
15°	E1	G1	S1	230	40	33.3	42	35.6	21.4	230	215	0	SN5650-PMOK-0165-15-E1-G1-S1-V04
20°	E0	G0	S0	235	37	35.7	42	37.5	22.4	235	163	0	SN5650-PMOK-0165-20-E0-G0-S0-V04
20°	E0	G0	S1	235	37	35.7	42	37.5	22.4	235	163	0	SN5650-PMOK-0165-20-E0-G0-S1-V04
20°	E0	G1	S0	235	37	35.7	42	37.5	22.4	235	163	0	SN5650-PMOK-0165-20-E0-G1-S0-V04
20°	E0	G1	S1	235	37	35.7	42	37.5	22.4	235	163	0	SN5650-PMOK-0165-20-E0-G1-S1-V04
20°	E1	G0	S0	235	37	35.7	42	37.5	22.4	235	163	0	SN5650-PMOK-0165-20-E1-G0-S0-V04
20°	E1	G0	S1	235	37	35.7	42	37.5	22.4	235	163	0	SN5650-PMOK-0165-20-E1-G0-S1-V04
20°	E1	G1	S0	235	37	35.7	42	37.5	22.4	235	163	0	SN5650-PMOK-0165-20-E1-G1-S0-V04
20°	E1	G1	S1	235	37	35.7	42	37.5	22.4	235	163	0	SN5650-PMOK-0165-20-E1-G1-S1-V04
25°	E0	G0	S0	235	35	38	42	40.1	22.4	235	163	0	SN5650-PMOK-0165-25-E0-G0-S0-V04
25°	E0	G0	S1	235	35	38	42	40.1	22.4	235	163	0	SN5650-PMOK-0165-25-E0-G0-S1-V04
25°	E0	G1	S0	235	35	38	42	40.1	22.4	235	163	0	SN5650-PMOK-0165-25-E0-G1-S0-V04
25°	E0	G1	S1	235	35	38	42	40.1	22.4	235	163	0	SN5650-PMOK-0165-25-E0-G1-S1-V04
25°	E1	G0	S0	235	35	38	42	40.1	22.4	235	163	0	SN5650-PMOK-0165-25-E1-G0-S0-V04
25°	E1	G0	S1	235	35	38	42	40.1	22.4	235	163	0	SN5650-PMOK-0165-25-E1-G0-S1-V04
25°	E1	G1	S0	235	35	38	42	40.1	22.4	235	163	0	SN5650-PMOK-0165-25-E1-G1-S0-V04
25°	E1	G1	S1	235	35	38	42	40.1	22.4	235	163	0	SN5650-PMOK-0165-25-E1-G1-S1-V04
30°	E0	G0	S0	235	32	41.1	42	42.8	28.4	235	160	0	SN5650-PMOK-0165-30-E0-G0-S0-V04
30°	E0	G0	S1	235	32	41.1	42	42.8	28.4	235	160	0	SN5650-PMOK-0165-30-E0-G0-S1-V04
30°	E0	G1	S0	235	32	41.1	42	42.8	28.4	235	160	0	SN5650-PMOK-0165-30-E0-G1-S0-V04
30°	E0	G1	S1	235	32	41.1	42	42.8	28.4	235	160	0	SN5650-PMOK-0165-30-E0-G1-S1-V04
30°	E1	G0	S0	235	32	41.1	42	42.8	28.4	235	160	0	SN5650-PMOK-0165-30-E1-G0-S0-V04
30°	E1	G0	S1	235	32	41.1	42	42.8	28.4	235	160	0	SN5650-PMOK-0165-30-E1-G0-S1-V04
30°	E1	G1	S0	235	32	41.1	42	42.8	28.4	235	160	0	SN5650-PMOK-0165-30-E1-G1-S0-V04
30°	E1	G1	S1	235	32	41.1	42	42.8	28.4	235	160	0	SN5650-PMOK-0165-30-E1-G1-S1-V04
35°	E0	G0	S0	235	30	44.4	42	46.5	31.4	235	160	0	SN5650-PMOK-0165-35-E0-G0-S0-V04
35°	E0	G0	S1	235	30	44.4	42	46.5	31.4	235	160	0	SN5650-PMOK-0165-35-E0-G0-S1-V04
35°	E0	G1	S0	235	30	44.4	42	46.5	31.4	235	160	0	SN5650-PMOK-0165-35-E0-G1-S0-V04
35°	E0	G1	S1	235	30	44.4	42	46.5	31.4	235	160	0	SN5650-PMOK-0165-35-E0-G1-S1-V04
35°	E1	G0	S0	235	30	44.4	42	46.5	31.4	235	160	0	SN5650-PMOK-0165-35-E1-G0-S0-V04
35°	E1	G0	S1	235	30	44.4	42	46.5	31.4	235	160	0	SN5650-PMOK-0165-35-E1-G0-S1-V04
35°	E1	G1	S0	235	30	44.4	42	46.5	31.4	235	160	0	SN5650-PMOK-0165-35-E1-G1-S0-V04
35°	E1	G1	S1	235	30	44.4	42	46.5	31.4	235	160	0	SN5650-PMOK-0165-35-E1-G1-S1-V04
40°	E0	G0	S0	235	27	43	37	44.5	31.4	235	133	0	SN5650-PMOK-0165-40-E0-G0-S0-V04
40°	E0	G0	S1	235	27	43	37	44.5	31.4	235	133	0	SN5650-PMOK-0165-40-E0-G0-S1-V04
40°	E0	G1	S0	235	27	43	37	44.5	31.4	235	133	0	SN5650-PMOK-0165-40-E0-G1-S0-V04
40°	E0	G1	S1	235	27	43	37	44.5	31.4	235	133	0	SN5650-PMOK-0165-40-E0-G1-S1-V04
40°	E1	G0	S0	235	27	43	37	44.5	31.4	235	133	0	SN5650-PMOK-0165-40-E1-G0-S0-V04
40°	E1	G0	S1	235	27	43	37	44.5	31.4	235	133	0	SN5650-PMOK-0165-40-E1-G0-S1-V04
40°	E1	G1	S0	235	27	43	37	44.5	31.4	235	133	0	SN5650-PMOK-0165-40-E1-G1-S0-V04
40°	E1	G1	S1	235	27	43	37	44.5	31.4	235	133	0	SN5650-PMOK-0165-40-E1-G1-S1-V04
45°	E0	G0	S0	235	25	47.4	37	49.2	31.4	235	133	0	SN5650-PMOK-0165-45-E0-G0-S0-V04
45°	E0	G0	S1	235	25	47.4	37	49.2	31.4	235	133	0	SN5650-PMOK-0165-45-E0-G0-S1-V04
45°	E0	G1	S0	235	25	47.4	37	49.2	31.4	235	133	0	SN5650-PMOK-0165-45-E0-G1-S0-V04
45°	E0	G1	S1	235	25	47.4	37	49.2	31.4	235	133	0	SN5650-PMOK-0165-45-E0-G1-S1-V04
45°	E1	G0	S0	235	25	47.4	37	49.2	31.4	235	133	0	SN5650-PMOK-0165-45-E1-G0-S0-V04
45°	E1	G0	S1	235	25	47.4	37	49.2	31.4	235	133	0	SN5650-PMOK-0165-45-E1-G0-S1-V04
45°	E1	G1	S0	235	25	47.4	37	49.2	31.4	235	133	0	SN5650-PMOK-0165-45-E1-G1-S0-V04
45°	E1	G1	S1	235	25	47.4	37	49.2	31.4	235	133	0	SN5650-PMOK-0165-45-E1-G1-S1-V04
50°	E0	G0	S0	240	22	53.4	37	54.7	36.4	230	127	10	SN5650-PMOK-0165-50-E0-G0-S0-V04
50°	E0	G0	S1	240	22	53.4	37	54.7	36.4	230	127	10	SN5650-PMOK-0165-50-E0-G0-S1-V04
50°	E0	G1	S0	240	22	53.4	37	54.7	36.4	230	127	10	SN5650-PMOK-0165-50-E0-G1-S0-V04
50°	E0	G1	S1	240	22	53.4	37	54.7	36.4	230	127	10	SN5650-PMOK-0165-50-E0-G1-S1-V04
50°	E1	G0	S0	240	22	53.4	37	54.7	36.4	230	127	10	SN5650-PMOK-0165-50-E1-G0-S0-V04
50°	E1	G0	S1	240	22	53.4	37	54.7	36.4	230	127	10	SN5650-PMOK-0165-50-E1-G0-S1-V04



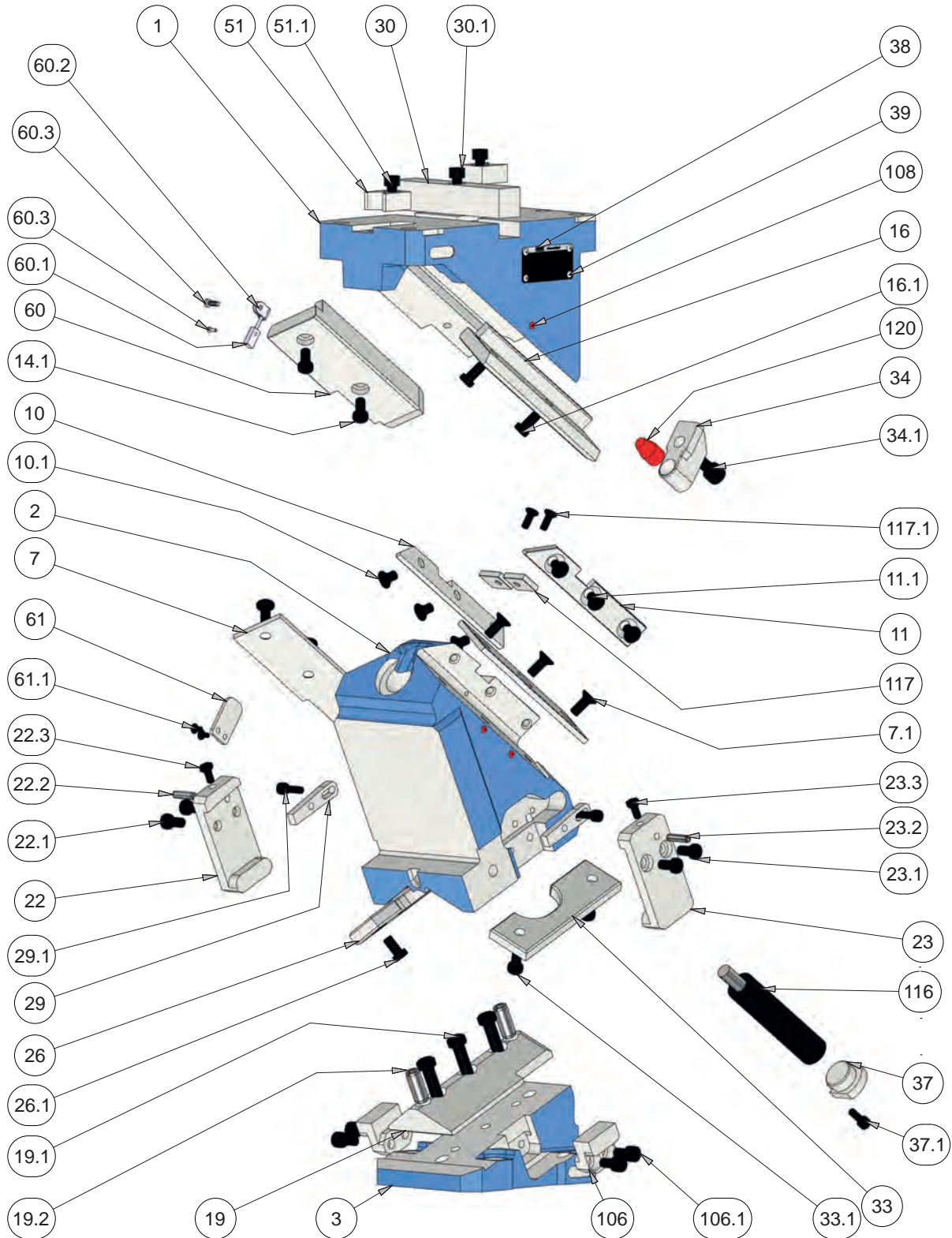
W	E	G	SE	L	W1	s	S1	S2	Sz	L1	L2	L3	No.
50°	E1	G1	S0	240	22	53.4	37	54.7	36.4	230	127	10	SN5650-PMOK-0165-50-E1-G1-S0-V04
50°	E1	G1	S1	240	22	53.4	37	54.7	36.4	230	127	10	SN5650-PMOK-0165-50-E1-G1-S1-V04
55°	E0	G0	S0	240	20	60.6	37	62.3	36.4	230	127	10	SN5650-PMOK-0165-55-E0-G0-S0-V04
55°	E0	G0	S1	240	20	60.6	37	62.3	36.4	230	127	10	SN5650-PMOK-0165-55-E0-G0-S1-V04
55°	E0	G1	S0	240	20	60.6	37	62.3	36.4	230	127	10	SN5650-PMOK-0165-55-E0-G1-S0-V04
55°	E0	G1	S1	240	20	60.6	37	62.3	36.4	230	127	10	SN5650-PMOK-0165-55-E0-G1-S1-V04
55°	E1	G0	S0	240	20	60.6	37	62.3	36.4	230	127	10	SN5650-PMOK-0165-55-E1-G0-S0-V04
55°	E1	G0	S1	240	20	60.6	37	62.3	36.4	230	127	10	SN5650-PMOK-0165-55-E1-G0-S1-V04
55°	E1	G1	S0	240	20	60.6	37	62.3	36.4	230	127	10	SN5650-PMOK-0165-55-E1-G1-S0-V04
55°	E1	G1	S1	240	20	60.6	37	62.3	36.4	230	127	10	SN5650-PMOK-0165-55-E1-G1-S1-V04
60°	E0	G0	S0	255	17	42.1	22	42.9	31.4	240	107	15	SN5650-PMOK-0165-60-E0-G0-S0-V04
60°	E0	G0	S1	255	17	42.1	22	42.9	31.4	240	107	15	SN5650-PMOK-0165-60-E0-G0-S1-V04
60°	E0	G1	S0	255	17	42.1	22	42.9	31.4	240	107	15	SN5650-PMOK-0165-60-E0-G1-S0-V04
60°	E0	G1	S1	255	17	42.1	22	42.9	31.4	240	107	15	SN5650-PMOK-0165-60-E0-G1-S1-V04
60°	E1	G0	S0	255	17	42.1	22	42.9	31.4	240	107	15	SN5650-PMOK-0165-60-E1-G0-S0-V04
60°	E1	G0	S1	255	17	42.1	22	42.9	31.4	240	107	15	SN5650-PMOK-0165-60-E1-G0-S1-V04
60°	E1	G1	S0	255	17	42.1	22	42.9	31.4	240	107	15	SN5650-PMOK-0165-60-E1-G1-S0-V04
60°	E1	G1	S1	255	17	42.1	22	42.9	31.4	240	107	15	SN5650-PMOK-0165-60-E1-G1-S1-V04
65°	E0	G0	S0	255	15	50.3	22	51.3	31.4	240	107	15	SN5650-PMOK-0165-65-E0-G0-S0-V04
65°	E0	G0	S1	255	15	50.3	22	51.3	31.4	240	107	15	SN5650-PMOK-0165-65-E0-G0-S1-V04
65°	E0	G1	S0	255	15	50.3	22	51.3	31.4	240	107	15	SN5650-PMOK-0165-65-E0-G1-S0-V04
65°	E0	G1	S1	255	15	50.3	22	51.3	31.4	240	107	15	SN5650-PMOK-0165-65-E0-G1-S1-V04
65°	E1	G0	S0	255	15	50.3	22	51.3	31.4	240	107	15	SN5650-PMOK-0165-65-E1-G0-S0-V04
65°	E1	G0	S1	255	15	50.3	22	51.3	31.4	240	107	15	SN5650-PMOK-0165-65-E1-G0-S1-V04
65°	E1	G1	S0	255	15	50.3	22	51.3	31.4	240	107	15	SN5650-PMOK-0165-65-E1-G1-S0-V04
65°	E1	G1	S1	255	15	50.3	22	51.3	31.4	240	107	15	SN5650-PMOK-0165-65-E1-G1-S1-V04
70°	E0	G0	S0	270	17	34.3	12	34.7	31.4	250	107	20	SN5650-PMOK-0165-70-E0-G0-S0-V04
70°	E0	G0	S1	270	17	34.3	12	34.7	31.4	250	107	20	SN5650-PMOK-0165-70-E0-G0-S1-V04
70°	E0	G1	S0	270	17	34.3	12	34.7	31.4	250	107	20	SN5650-PMOK-0165-70-E0-G1-S0-V04
70°	E0	G1	S1	270	17	34.3	12	34.7	31.4	250	107	20	SN5650-PMOK-0165-70-E0-G1-S1-V04
70°	E1	G0	S0	270	17	34.3	12	34.7	31.4	250	107	20	SN5650-PMOK-0165-70-E1-G0-S0-V04
70°	E1	G0	S1	270	17	34.3	12	34.7	31.4	250	107	20	SN5650-PMOK-0165-70-E1-G0-S1-V04
70°	E1	G1	S0	270	17	34.3	12	34.7	31.4	250	107	20	SN5650-PMOK-0165-70-E1-G1-S0-V04
70°	E1	G1	S1	270	17	34.3	12	34.7	31.4	250	107	20	SN5650-PMOK-0165-70-E1-G1-S1-V04
75°	E0	G0	S0	270	15	45.7	12	46.2	31.4	250	107	20	SN5650-PMOK-0165-75-E0-G0-S0-V04
75°	E0	G0	S1	270	15	45.7	12	46.2	31.4	250	107	20	SN5650-PMOK-0165-75-E0-G0-S1-V04
75°	E0	G1	S0	270	15	45.7	12	46.2	31.4	250	107	20	SN5650-PMOK-0165-75-E0-G1-S0-V04
75°	E0	G1	S1	270	15	45.7	12	46.2	31.4	250	107	20	SN5650-PMOK-0165-75-E0-G1-S1-V04
75°	E1	G0	S0	270	15	45.7	12	46.2	31.4	250	107	20	SN5650-PMOK-0165-75-E1-G0-S0-V04
75°	E1	G0	S1	270	15	45.7	12	46.2	31.4	250	107	20	SN5650-PMOK-0165-75-E1-G0-S1-V04
75°	E1	G1	S0	270	15	45.7	12	46.2	31.4	250	107	20	SN5650-PMOK-0165-75-E1-G1-S0-V04
75°	E1	G1	S1	270	15	45.7	12	46.2	31.4	250	107	20	SN5650-PMOK-0165-75-E1-G1-S1-V04



## SN5650-PMOK-0165-

### Bauteile

### Components



Ersatzteilstückliste je Schieber unter [www.strack.de](http://www.strack.de)

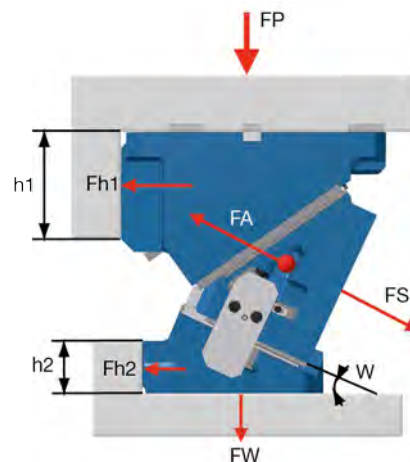
Sparepart lists under [www.strack.de](http://www.strack.de)

## SN5650-PMOK-0165-

### Kraftverteilung

#### Force Distribution

W	FS [kN]	FP [kN]	Fh1 [kN]	FW [kN]	Fh2 [kN]	h1 [mm]	h2 [mm]	FA [kN]
00°	379	356	379	356	0	110	40	17
05°	394	372	363	337	28	105	50	22
10°	409	388	347	317	56	100	60	26
15°	414	394	323	287	75	103	55	34
20°	418	400	299	257	94	105	50	41
25°	429	412	281	231	106	108	50	47
30°	440	424	263	204	118	110	50	52
35°	458	443	248	180	124	98	55	52
40°	476	462	234	156	131	85	60	52
45°	484	471	213	130	127	83	73	53
50°	492	481	193	104	124	80	85	54
55°	498	488	171	81	113	70	83	55
60°	504	495	150	59	102	60	80	55
65°	509	501	128	42	85	63	95	55
70°	513	507	107	25	69	65	110	54
75°	514	508	88	12	45	65	110	54



W = Schieberwinkel  
FP = P-Press  
FW = W-Werkzeug  
FS = S-Schieberkraft  
FA = A-Abstreifkraft  
Fh1 = h1-Abschulterung oben  
Fh2 = h2-Abschulterung unten

W = Cam Angle  
FP = P-Press  
FW = W-Tool  
FS = S-Cam Force  
FA = A-Retractility  
Fh1 = h1-Shouldering above  
Fh2 = h2-Shouldering below

# SN5650-PMOK-0165-

## Schieberkräfte

### Cam Force

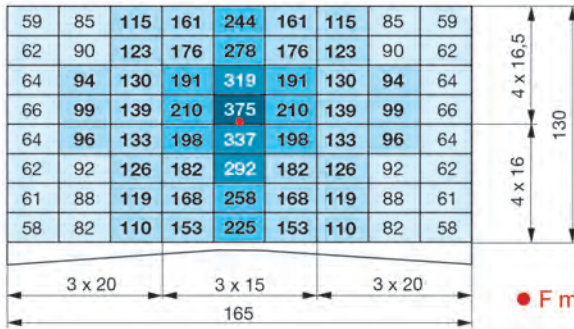
Abschulterung

Shouldering

Passfeder

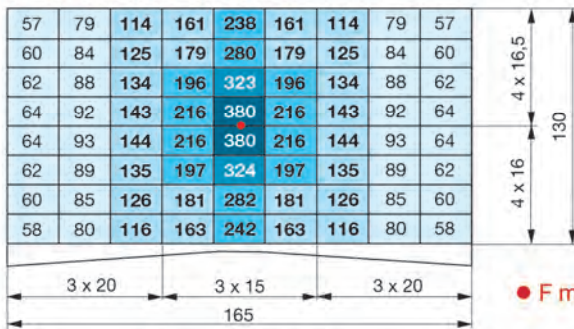
Fitting Key

#### SN5650-PMOK-0165-0°



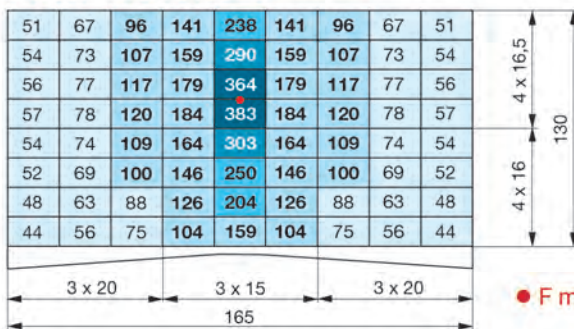
43	43	52	61	68	61	52	43	43
43	52	61	68	78	68	61	52	43
43	52	61	68	78	68	61	52	43
43	52	61	68	78	68	61	52	43
43	52	61	68	78	68	61	52	43
43	52	61	68	78	68	61	52	43
43	52	61	68	78	68	61	52	43
43	52	61	68	78	68	61	52	43

#### SN5650-PMOK-0165-10°



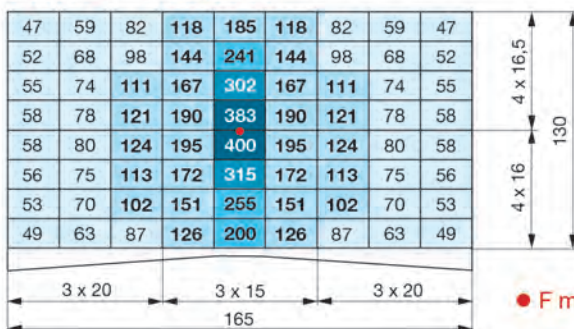
45	45	55	70	79	70	55	45	45
45	55	70	79	92	79	70	55	45
45	55	70	79	92	79	70	55	45
45	55	70	79	92	79	70	55	45
45	55	70	79	92	79	70	55	45
45	55	70	79	92	79	70	55	45
45	55	70	79	92	79	70	55	45
45	55	70	79	92	79	70	55	45

#### SN5650-PMOK-0165-20°



46	46	57	72	88	72	57	46	46
47	57	72	88	109	88	72	57	47
47	57	72	88	109	88	72	57	47
47	57	72	88	109	88	72	57	47
47	57	72	88	109	88	72	57	47
47	57	72	88	109	88	72	57	47
47	57	72	88	109	88	72	57	47
44	57	72	88	109	88	72	57	44
41	51	72	88	109	88	72	51	41

#### SN5650-PMOK-0165-30°



41	41	51	66	94	66	51	41	41
46	58	79	105	131	105	79	58	46
49	63	81	104	131	104	81	63	49
51	63	81	104	131	104	81	63	51
52	63	81	104	131	104	81	63	52
52	63	81	104	131	104	81	63	52
50	63	81	104	131	104	81	63	50
47	60	81	104	131	104	81	60	47



# SN5650-PMOK-0165-

## Schieberkräfte

### Cam Force

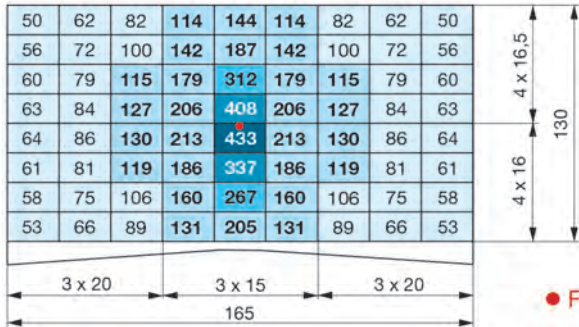
Abschulterung

Shouldering

Passfeder

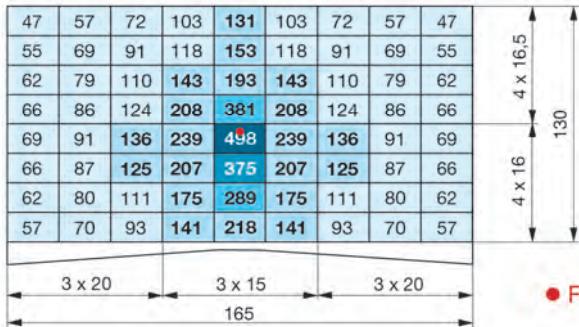
Fitting Key

#### SN5650-PMOK-0165-40°



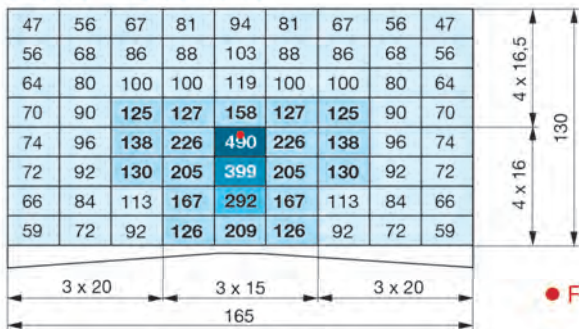
46	46	57	73	105	73	57	46	46
51	65	87	122	160	122	87	65	51
55	68	88	122	160	122	88	68	55
55	68	88	122	160	122	88	68	55
55	68	88	122	160	122	88	68	55
55	68	88	122	160	122	88	68	55
53	68	88	122	160	122	88	68	53
49	60	79	114	160	114	79	60	49

#### SN5650-PMOK-0165-50°



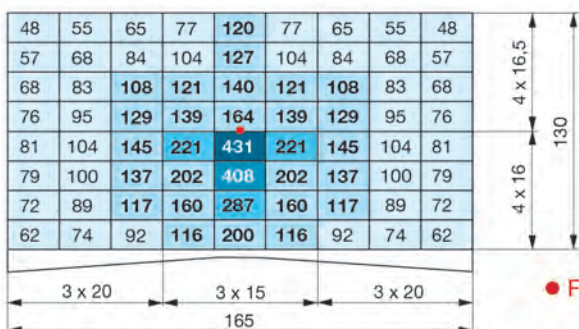
46	46	56	70	91	70	56	46	46
53	65	85	103	131	103	85	65	53
58	73	99	122	163	122	99	73	58
61	77	101	146	202	146	101	77	61
62	77	101	146	202	146	101	77	62
61	77	101	146	202	146	101	77	61
57	71	95	141	202	141	95	71	57
51	62	79	109	202	109	79	62	51

#### SN5650-PMOK-0165-60°



45	45	52	62	78	62	52	45	45
52	63	78	88	103	88	78	63	52
59	73	96	100	119	100	96	73	59
64	81	109	126	158	126	109	81	64
68	86	118	179	265	179	118	86	68
66	83	113	174	265	174	113	83	66
62	76	100	145	265	145	100	76	62
55	66	83	111	210	111	83	66	55

#### SN5650-PMOK-0165-70°



45	45	52	61	73	61	52	45	45
54	63	77	97	127	97	77	63	54
63	77	97	121	140	121	97	77	63
70	87	114	139	164	139	114	87	70
75	94	126	192	380	192	126	94	75
73	91	121	178	380	178	121	91	73
67	82	105	145	287	145	105	82	67
59	69	84	108	200	108	84	69	59