

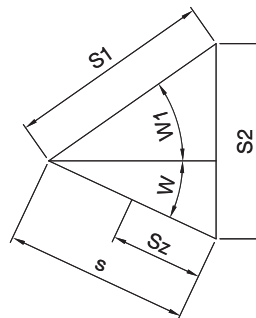
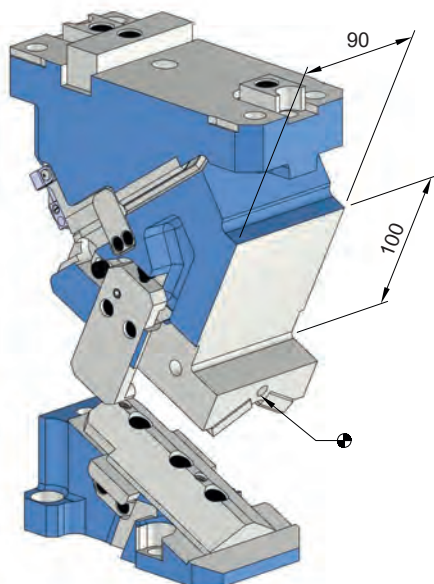
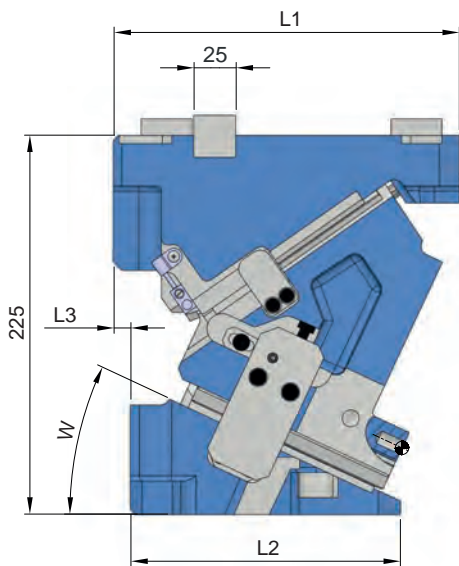


SN5650-PMOK-0090-

Oben hängender Kompakt-Normschieber

Compact aerial cam unit

Arbeitsfläche	<i>Working area</i>	90 x 100 mm
Schieberbreite max.	<i>Cam unit width max.</i>	90 mm
Einbauhöhe	<i>Installation height</i>	225 mm
Schieberkraft	<i>Cam force</i>	> 182 kN



Gusstoleranzgrad CT
nach DIN ISO 8062

(blau = Rohgussfläche)

Casting tolerance grade CT
according to DIN ISO 8062

(blue = raw casting area)

**Positionskontrolle:
Control of position:**



Pos. 1

Schieber zusammengefahren
Cam is moved together



Pos. 2

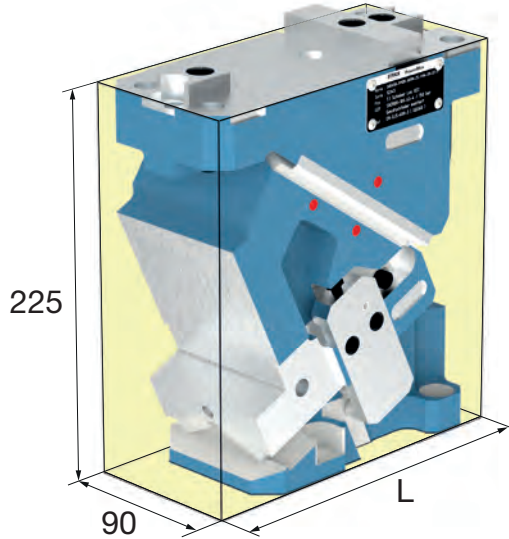
Schieber ausgefahren
Cam is extended

Sz = Eingriffslänge Aktivrückzug
Sz = Engagement length of activ return

SN5650-PMOK-0090-

Oben hängender Kompakt-Normschieber

Compact aerial cam unit



Mat.: EN-GJS-600-3 (GGG 60)



W = Schieberwinkel
Cam Angle
E = Einarbeitung
Machining

G = Gasdruckfeder
Gas spring
SE = Sensor
Sensor

W	E	G	SE	L	W1	s	S1	S2	Sz	L1	L2	L3	No.
0°	E0	G0	S0	190	47	28.6	42	30.7	17.2	190	179	10	SN5650-PMOK-0090-00-E0-G0-S0-V04
0°	E0	G0	S1	190	47	28.6	42	30.7	17.2	190	179	10	SN5650-PMOK-0090-00-E0-G0-S1-V04
0°	E0	G1	S0	190	47	28.6	42	30.7	17.2	190	179	10	SN5650-PMOK-0090-00-E0-G1-S0-V04
0°	E0	G1	S1	190	47	28.6	42	30.7	17.2	190	179	10	SN5650-PMOK-0090-00-E0-G1-S1-V04
0°	E1	G0	S0	190	47	28.6	42	30.7	17.2	190	179	10	SN5650-PMOK-0090-00-E1-G0-S0-V04
0°	E1	G0	S1	190	47	28.6	42	30.7	17.2	190	179	10	SN5650-PMOK-0090-00-E1-G0-S1-V04
0°	E1	G1	S0	190	47	28.6	42	30.7	17.2	190	179	10	SN5650-PMOK-0090-00-E1-G1-S0-V04
0°	E1	G1	S1	190	47	28.6	42	30.7	17.2	190	179	10	SN5650-PMOK-0090-00-E1-G1-S1-V04
5°	E0	G0	S0	190	45	29.8	42	32.3	17.2	190	179	10	SN5650-PMOK-0090-05-E0-G0-S0-V04
5°	E0	G0	S1	190	45	29.8	42	32.3	17.2	190	179	10	SN5650-PMOK-0090-05-E0-G0-S1-V04
5°	E0	G1	S0	190	45	29.8	42	32.3	17.2	190	179	10	SN5650-PMOK-0090-05-E0-G1-S0-V04
5°	E0	G1	S1	190	45	29.8	42	32.3	17.2	190	179	10	SN5650-PMOK-0090-05-E0-G1-S1-V04
5°	E1	G0	S0	190	45	29.8	42	32.3	17.2	190	179	10	SN5650-PMOK-0090-05-E1-G0-S0-V04
5°	E1	G0	S1	190	45	29.8	42	32.3	17.2	190	179	10	SN5650-PMOK-0090-05-E1-G0-S1-V04
5°	E1	G1	S0	190	45	29.8	42	32.3	17.2	190	179	10	SN5650-PMOK-0090-05-E1-G1-S0-V04
5°	E1	G1	S1	190	45	29.8	42	32.3	17.2	190	179	10	SN5650-PMOK-0090-05-E1-G1-S1-V04
10°	E0	G0	S0	190	42	31.7	42	33.6	17.2	190	180	0	SN5650-PMOK-0090-10-E0-G0-S0-V04
10°	E0	G0	S1	190	42	31.7	42	33.6	17.2	190	180	0	SN5650-PMOK-0090-10-E0-G0-S1-V04
10°	E0	G1	S0	190	42	31.7	42	33.6	17.2	190	180	0	SN5650-PMOK-0090-10-E0-G1-S0-V04
10°	E0	G1	S1	190	42	31.7	42	33.6	17.2	190	180	0	SN5650-PMOK-0090-10-E0-G1-S1-V04
10°	E1	G0	S0	190	42	31.7	42	33.6	17.2	190	180	0	SN5650-PMOK-0090-10-E1-G0-S0-V04
10°	E1	G0	S1	190	42	31.7	42	33.6	17.2	190	180	0	SN5650-PMOK-0090-10-E1-G0-S1-V04
10°	E1	G1	S0	190	42	31.7	42	33.6	17.2	190	180	0	SN5650-PMOK-0090-10-E1-G1-S0-V04
10°	E1	G1	S1	190	42	31.7	42	33.6	17.2	190	180	0	SN5650-PMOK-0090-10-E1-G1-S1-V04
15°	E0	G0	S0	190	40	33.3	42	35.6	20.2	190	180	0	SN5650-PMOK-0090-15-E0-G0-S0-V04
15°	E0	G0	S1	190	40	33.3	42	35.6	20.2	190	180	0	SN5650-PMOK-0090-15-E0-G0-S1-V04
15°	E0	G1	S0	190	40	33.3	42	35.6	20.2	190	180	0	SN5650-PMOK-0090-15-E0-G1-S0-V04
15°	E0	G1	S1	190	40	33.3	42	35.6	20.2	190	180	0	SN5650-PMOK-0090-15-E0-G1-S1-V04
15°	E1	G0	S0	190	40	33.3	42	35.6	20.2	190	180	0	SN5650-PMOK-0090-15-E1-G0-S0-V04
15°	E1	G0	S1	190	40	33.3	42	35.6	20.2	190	180	0	SN5650-PMOK-0090-15-E1-G0-S1-V04



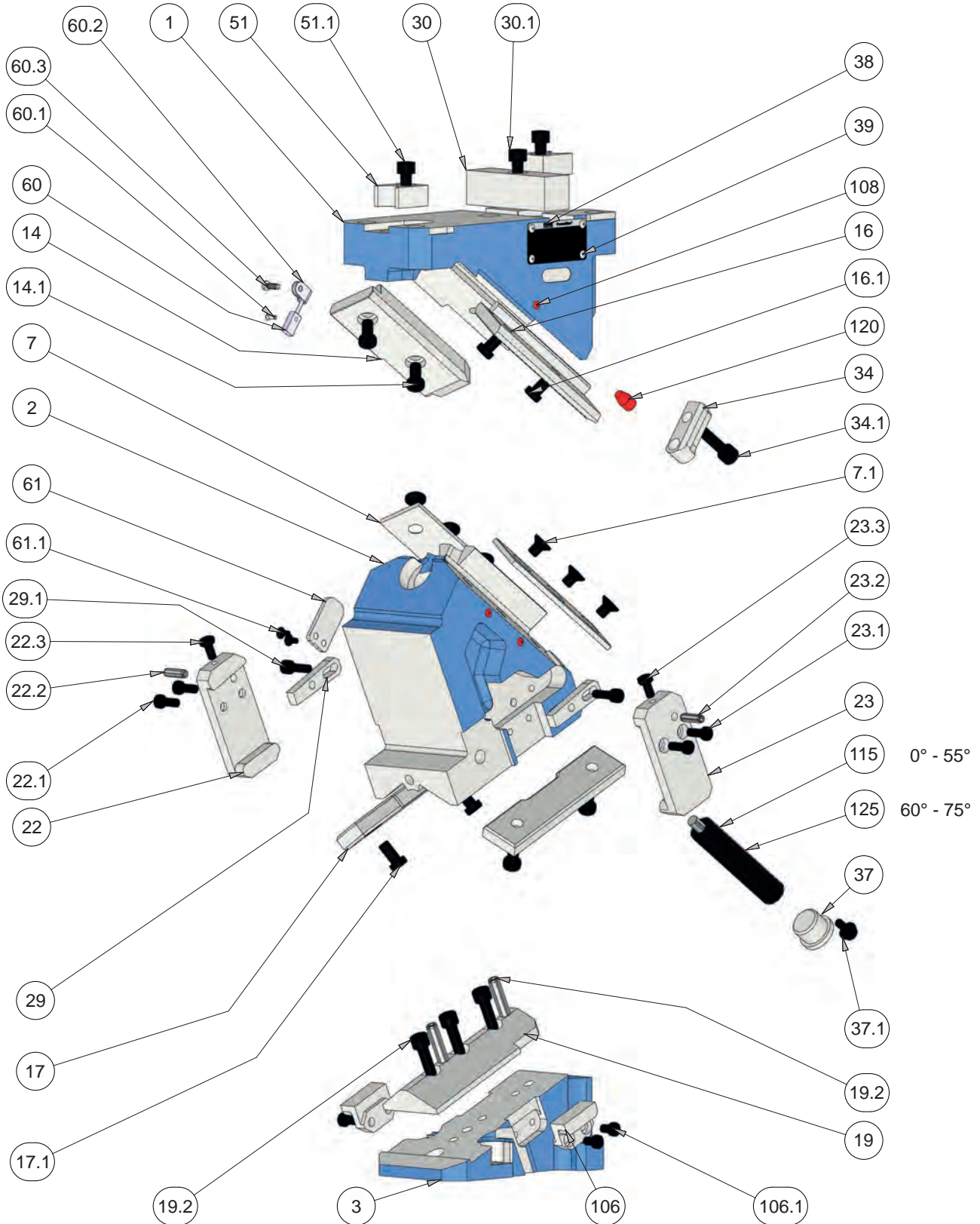
W	E	G	SE	L	W1	s	S1	S2	Sz	L1	L2	L3	No.
15°	E1	G1	S0	190	40	33.3	42	35.6	20.2	190	180	0	SN5650-PMOK-0090-15-E1-G1-S0-V04
15°	E1	G1	S1	190	40	33.3	42	35.6	20.2	190	180	0	SN5650-PMOK-0090-15-E1-G1-S1-V04
20°	E0	G0	S0	205	37	35.7	42	37.5	24.2	205	160	10	SN5650-PMOK-0090-20-E0-G0-S0-V04
20°	E0	G0	S1	205	37	35.7	42	37.5	24.2	205	160	10	SN5650-PMOK-0090-20-E0-G0-S1-V04
20°	E0	G1	S0	205	37	35.7	42	37.5	24.2	205	160	10	SN5650-PMOK-0090-20-E0-G1-S0-V04
20°	E0	G1	S1	205	37	35.7	42	37.5	24.2	205	160	10	SN5650-PMOK-0090-20-E0-G1-S1-V04
20°	E1	G0	S0	205	37	35.7	42	37.5	24.2	205	160	10	SN5650-PMOK-0090-20-E1-G0-S0-V04
20°	E1	G0	S1	205	37	35.7	42	37.5	24.2	205	160	10	SN5650-PMOK-0090-20-E1-G0-S1-V04
20°	E1	G1	S0	205	37	35.7	42	37.5	24.2	205	160	10	SN5650-PMOK-0090-20-E1-G1-S0-V04
20°	E1	G1	S1	205	37	35.7	42	37.5	24.2	205	160	10	SN5650-PMOK-0090-20-E1-G1-S1-V04
25°	E0	G0	S0	205	35	38	42	40.1	24.2	205	160	10	SN5650-PMOK-0090-25-E0-G0-S0-V04
25°	E0	G0	S1	205	35	38	42	40.1	24.2	205	160	10	SN5650-PMOK-0090-25-E0-G0-S1-V04
25°	E0	G1	S0	205	35	38	42	40.1	24.2	205	160	10	SN5650-PMOK-0090-25-E0-G1-S0-V04
25°	E0	G1	S1	205	35	38	42	40.1	24.2	205	160	10	SN5650-PMOK-0090-25-E0-G1-S1-V04
25°	E1	G0	S0	205	35	38	42	40.1	24.2	205	160	10	SN5650-PMOK-0090-25-E1-G0-S0-V04
25°	E1	G0	S1	205	35	38	42	40.1	24.2	205	160	10	SN5650-PMOK-0090-25-E1-G0-S1-V04
25°	E1	G1	S0	205	35	38	42	40.1	24.2	205	160	10	SN5650-PMOK-0090-25-E1-G1-S0-V04
25°	E1	G1	S1	205	35	38	42	40.1	24.2	205	160	10	SN5650-PMOK-0090-25-E1-G1-S1-V04
30°	E0	G0	S0	210	32	41.1	42	42.8	30.2	210	154	0	SN5650-PMOK-0090-30-E0-G0-S0-V04
30°	E0	G0	S1	210	32	41.1	42	42.8	30.2	210	154	0	SN5650-PMOK-0090-30-E0-G0-S1-V04
30°	E0	G1	S0	210	32	41.1	42	42.8	30.2	210	154	0	SN5650-PMOK-0090-30-E0-G1-S0-V04
30°	E0	G1	S1	210	32	41.1	42	42.8	30.2	210	154	0	SN5650-PMOK-0090-30-E0-G1-S1-V04
30°	E1	G0	S0	210	32	41.1	42	42.8	30.2	210	154	0	SN5650-PMOK-0090-30-E1-G0-S0-V04
30°	E1	G0	S1	210	32	41.1	42	42.8	30.2	210	154	0	SN5650-PMOK-0090-30-E1-G0-S1-V04
30°	E1	G1	S0	210	32	41.1	42	42.8	30.2	210	154	0	SN5650-PMOK-0090-30-E1-G1-S0-V04
30°	E1	G1	S1	210	32	41.1	42	42.8	30.2	210	154	0	SN5650-PMOK-0090-30-E1-G1-S1-V04
35°	E0	G0	S0	210	30	44.4	42	46.5	33.2	210	154	0	SN5650-PMOK-0090-35-E0-G0-S0-V04
35°	E0	G0	S1	210	30	44.4	42	46.5	33.2	210	154	0	SN5650-PMOK-0090-35-E0-G0-S1-V04
35°	E0	G1	S0	210	30	44.4	42	46.5	33.2	210	154	0	SN5650-PMOK-0090-35-E0-G1-S0-V04
35°	E0	G1	S1	210	30	44.4	42	46.5	33.2	210	154	0	SN5650-PMOK-0090-35-E0-G1-S1-V04
35°	E1	G0	S0	210	30	44.4	42	46.5	33.2	210	154	0	SN5650-PMOK-0090-35-E1-G0-S0-V04
35°	E1	G0	S1	210	30	44.4	42	46.5	33.2	210	154	0	SN5650-PMOK-0090-35-E1-G0-S1-V04
35°	E1	G1	S0	210	30	44.4	42	46.5	33.2	210	154	0	SN5650-PMOK-0090-35-E1-G1-S0-V04
35°	E1	G1	S1	210	30	44.4	42	46.5	33.2	210	154	0	SN5650-PMOK-0090-35-E1-G1-S1-V04
40°	E0	G0	S0	215	27	43	37	44.5	33.2	215	138	0	SN5650-PMOK-0090-40-E0-G0-S0-V04
40°	E0	G0	S1	215	27	43	37	44.5	33.2	215	138	0	SN5650-PMOK-0090-40-E0-G0-S1-V04
40°	E0	G1	S0	215	27	43	37	44.5	33.2	215	138	0	SN5650-PMOK-0090-40-E0-G1-S0-V04
40°	E0	G1	S1	215	27	43	37	44.5	33.2	215	138	0	SN5650-PMOK-0090-40-E0-G1-S1-V04
40°	E1	G0	S0	215	27	43	37	44.5	33.2	215	138	0	SN5650-PMOK-0090-40-E1-G0-S0-V04
40°	E1	G0	S1	215	27	43	37	44.5	33.2	215	138	0	SN5650-PMOK-0090-40-E1-G0-S1-V04
40°	E1	G1	S0	215	27	43	37	44.5	33.2	215	138	0	SN5650-PMOK-0090-40-E1-G1-S0-V04
40°	E1	G1	S1	215	27	43	37	44.5	33.2	215	138	0	SN5650-PMOK-0090-40-E1-G1-S1-V04
45°	E0	G0	S0	215	25	47.4	37	49.2	33.2	215	137	0	SN5650-PMOK-0090-45-E0-G0-S0-V04
45°	E0	G0	S1	215	25	47.4	37	49.2	33.2	215	137	0	SN5650-PMOK-0090-45-E0-G0-S1-V04
45°	E0	G1	S0	215	25	47.4	37	49.2	33.2	215	137	0	SN5650-PMOK-0090-45-E0-G1-S0-V04
45°	E0	G1	S1	215	25	47.4	37	49.2	33.2	215	137	0	SN5650-PMOK-0090-45-E0-G1-S1-V04
45°	E1	G0	S0	215	25	47.4	37	49.2	33.2	215	137	0	SN5650-PMOK-0090-45-E1-G0-S0-V04
45°	E1	G0	S1	215	25	47.4	37	49.2	33.2	215	137	0	SN5650-PMOK-0090-45-E1-G0-S1-V04
45°	E1	G1	S0	215	25	47.4	37	49.2	33.2	215	137	0	SN5650-PMOK-0090-45-E1-G1-S0-V04
45°	E1	G1	S1	215	25	47.4	37	49.2	33.2	215	137	0	SN5650-PMOK-0090-45-E1-G1-S1-V04
50°	E0	G0	S0	230	22	53.4	37	54.7	38.2	210	138	20	SN5650-PMOK-0090-50-E0-G0-S0-V04
50°	E0	G0	S1	230	22	53.4	37	54.7	38.2	210	138	20	SN5650-PMOK-0090-50-E0-G0-S1-V04
50°	E0	G1	S0	230	22	53.4	37	54.7	38.2	210	138	20	SN5650-PMOK-0090-50-E0-G1-S0-V04
50°	E0	G1	S1	230	22	53.4	37	54.7	38.2	210	138	20	SN5650-PMOK-0090-50-E0-G1-S1-V04
50°	E1	G0	S0	230	22	53.4	37	54.7	38.2	210	138	20	SN5650-PMOK-0090-50-E1-G0-S0-V04



W	E	G	SE	L	W1	s	S1	S2	Sz	L1	L2	L3	No.
50°	E1	G0	S1	230	22	53.4	37	54.7	38.2	210	138	20	SN5650-PMOK-0090-50-E1-G0-S1-V04
50°	E1	G1	S0	230	22	53.4	37	54.7	38.2	210	138	20	SN5650-PMOK-0090-50-E1-G1-S0-V04
50°	E1	G1	S1	230	22	53.4	37	54.7	38.2	210	138	20	SN5650-PMOK-0090-50-E1-G1-S1-V04
55°	E0	G0	S0	230	20	60.6	37	62.3	38.2	210	138	20	SN5650-PMOK-0090-55-E0-G0-S0-V04
55°	E0	G0	S1	230	20	60.6	37	62.3	38.2	210	138	20	SN5650-PMOK-0090-55-E0-G0-S1-V04
55°	E0	G1	S0	230	20	60.6	37	62.3	38.2	210	138	20	SN5650-PMOK-0090-55-E0-G1-S0-V04
55°	E0	G1	S1	230	20	60.6	37	62.3	38.2	210	138	20	SN5650-PMOK-0090-55-E0-G1-S1-V04
55°	E1	G0	S0	230	20	60.6	37	62.3	38.2	210	138	20	SN5650-PMOK-0090-55-E1-G0-S0-V04
55°	E1	G0	S1	230	20	60.6	37	62.3	38.2	210	138	20	SN5650-PMOK-0090-55-E1-G0-S1-V04
55°	E1	G1	S0	230	20	60.6	37	62.3	38.2	210	138	20	SN5650-PMOK-0090-55-E1-G1-S0-V04
55°	E1	G1	S1	230	20	60.6	37	62.3	38.2	210	138	20	SN5650-PMOK-0090-55-E1-G1-S1-V04
60°	E0	G0	S0	235	17	42.1	22	42.9	33.2	205	129	30	SN5650-PMOK-0090-60-E0-G0-S0-V04
60°	E0	G0	S1	235	17	42.1	22	42.9	33.2	205	129	30	SN5650-PMOK-0090-60-E0-G0-S1-V04
60°	E0	G1	S0	235	17	42.1	22	42.9	33.2	205	129	30	SN5650-PMOK-0090-60-E0-G1-S0-V04
60°	E0	G1	S1	235	17	42.1	22	42.9	33.2	205	129	30	SN5650-PMOK-0090-60-E0-G1-S1-V04
60°	E1	G0	S0	235	17	42.1	22	42.9	33.2	205	129	30	SN5650-PMOK-0090-60-E1-G0-S0-V04
60°	E1	G0	S1	235	17	42.1	22	42.9	33.2	205	129	30	SN5650-PMOK-0090-60-E1-G0-S1-V04
60°	E1	G1	S0	235	17	42.1	22	42.9	33.2	205	129	30	SN5650-PMOK-0090-60-E1-G1-S0-V04
60°	E1	G1	S1	235	17	42.1	22	42.9	33.2	205	129	30	SN5650-PMOK-0090-60-E1-G1-S1-V04
65°	E0	G0	S0	235	15	50.3	22	51.3	33.2	205	122	30	SN5650-PMOK-0090-65-E0-G0-S0-V04
65°	E0	G0	S1	235	15	50.3	22	51.3	33.2	205	122	30	SN5650-PMOK-0090-65-E0-G0-S1-V04
65°	E0	G1	S0	235	15	50.3	22	51.3	33.2	205	122	30	SN5650-PMOK-0090-65-E0-G1-S0-V04
65°	E0	G1	S1	235	15	50.3	22	51.3	33.2	205	122	30	SN5650-PMOK-0090-65-E0-G1-S1-V04
65°	E1	G0	S0	235	15	50.3	22	51.3	33.2	205	122	30	SN5650-PMOK-0090-65-E1-G0-S0-V04
65°	E1	G0	S1	235	15	50.3	22	51.3	33.2	205	122	30	SN5650-PMOK-0090-65-E1-G0-S1-V04
65°	E1	G1	S0	235	15	50.3	22	51.3	33.2	205	122	30	SN5650-PMOK-0090-65-E1-G1-S0-V04
65°	E1	G1	S1	235	15	50.3	22	51.3	33.2	205	122	30	SN5650-PMOK-0090-65-E1-G1-S1-V04
70°	E0	G0	S0	225	12	31.3	12	34.7	20.2	205	97	20	SN5650-PMOK-0090-70-E0-G0-S0-V04
70°	E0	G0	S1	225	12	31.3	12	34.7	20.2	205	97	20	SN5650-PMOK-0090-70-E0-G0-S1-V04
70°	E0	G1	S0	225	12	31.3	12	34.7	20.2	205	97	20	SN5650-PMOK-0090-70-E0-G1-S0-V04
70°	E0	G1	S1	225	12	31.3	12	34.7	20.2	205	97	20	SN5650-PMOK-0090-70-E0-G1-S1-V04
70°	E1	G0	S0	225	12	31.3	12	34.7	20.2	205	97	20	SN5650-PMOK-0090-70-E1-G0-S0-V04
70°	E1	G0	S1	225	12	31.3	12	34.7	20.2	205	97	20	SN5650-PMOK-0090-70-E1-G0-S1-V04
70°	E1	G1	S0	225	12	31.3	12	34.7	20.2	205	97	20	SN5650-PMOK-0090-70-E1-G1-S0-V04
70°	E1	G1	S1	225	12	31.3	12	34.7	20.2	205	97	20	SN5650-PMOK-0090-70-E1-G1-S1-V04
75°	E0	G0	S0	225	10	45.7	12	46.2	33.2	205	90	20	SN5650-PMOK-0090-75-E0-G0-S0-V04
75°	E0	G0	S1	225	10	45.7	12	46.2	33.2	205	90	20	SN5650-PMOK-0090-75-E0-G0-S1-V04
75°	E0	G1	S0	225	10	45.7	12	46.2	33.2	205	90	20	SN5650-PMOK-0090-75-E0-G1-S0-V04
75°	E0	G1	S1	225	10	45.7	12	46.2	33.2	205	90	20	SN5650-PMOK-0090-75-E0-G1-S1-V04
75°	E1	G0	S0	225	10	45.7	12	46.2	33.2	205	90	20	SN5650-PMOK-0090-75-E1-G0-S0-V04
75°	E1	G0	S1	225	10	45.7	12	46.2	33.2	205	90	20	SN5650-PMOK-0090-75-E1-G0-S1-V04
75°	E1	G1	S0	225	10	45.7	12	46.2	33.2	205	90	20	SN5650-PMOK-0090-75-E1-G1-S0-V04
75°	E1	G1	S1	225	10	45.7	12	46.2	33.2	205	90	20	SN5650-PMOK-0090-75-E1-G1-S1-V04

SN5650-PMOK-0090-

Bauteile Components

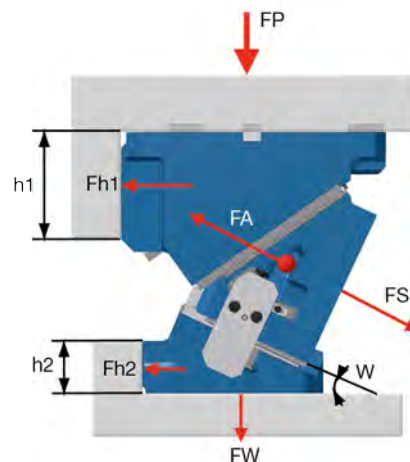


SN5650-PMOK-0090-

Kraftverteilung

Force Distribution

W	FS [kN]	FP [kN]	Fh1 [kN]	FW [kN]	Fh2 [kN]	h1 [mm]	h2 [mm]	FA [kN]
00°	182	171	182	171	0	143	30	15
05°	189	178	174	161	13	109	33	18
10°	196	186	166	152	27	75	35	20
15°	203	193	158	140	37	75	50	22
20°	209	171	150	129	47	75	65	24
25°	215	206	141	115	53	68	73	27
30°	220	212	132	102	59	60	80	29
35°	225	218	122	89	61	58	85	30
40°	230	223	113	76	63	55	90	30
45°	234	228	103	63	62	53	103	30
50°	237	232	93	50	60	50	115	30
55°	240	235	82	39	55	43	113	31
60°	243	239	72	29	49	35	110	31
65°	246	242	64	19	40	35	115	31
70°	248	244	53	12	31	33	115	30
75°	249	246	43	6	22	30	115	28



W = Schieberwinkel
FP = P-Press
FW = W-Werkzeug
FS = S-Schieberkraft
FA = A-Abstreifkraft
Fh1 = h1-Abschulterung oben
Fh2 = h2-Abschulterung unten

W = Cam Angle
FP = P-Press
FW = W-Tool
FS = S-Cam Force
FA = A-Retractility
Fh1 = h1-Shouldering above
Fh2 = h2-Shouldering below

SN5650-PMOK-0090-

Schieberkräfte

Cam Force

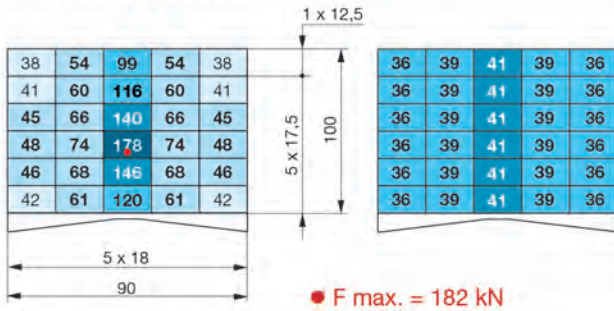
Abschulterung

Shouldering

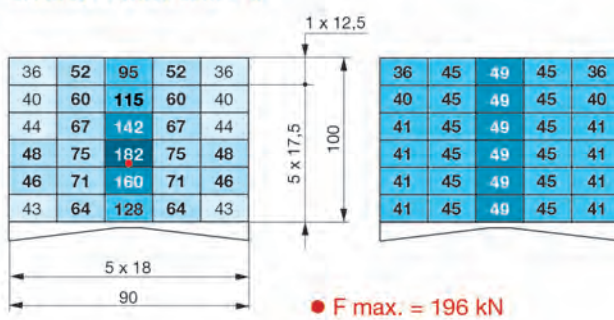
Passfeder

Fitting Key

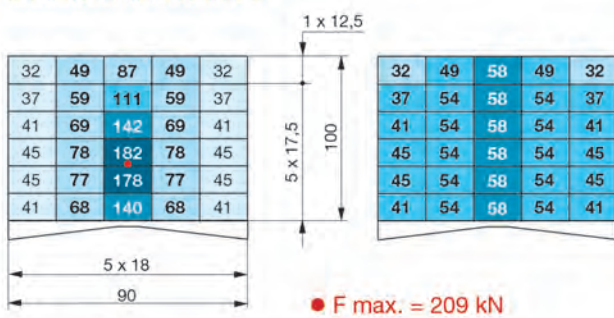
SN5650-PMOK-0090-0°



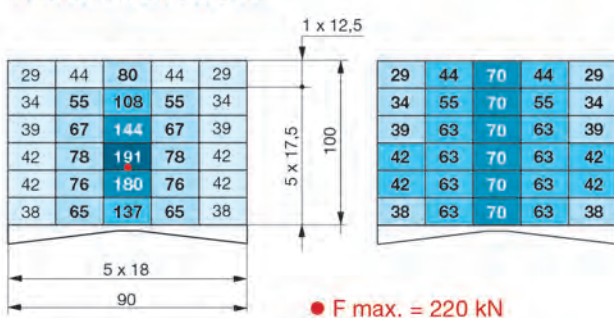
SN5650-PMOK-0090-10°



SN5650-PMOK-0090-20°



SN5650-PMOK-0090-30°



SN5650-PMOK-0090-

Schieberkräfte

Cam Force

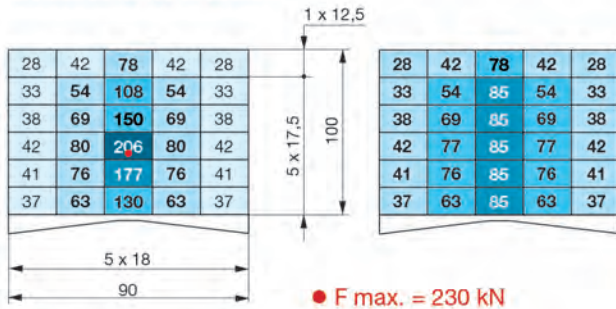
Abschulterung

Passfeder

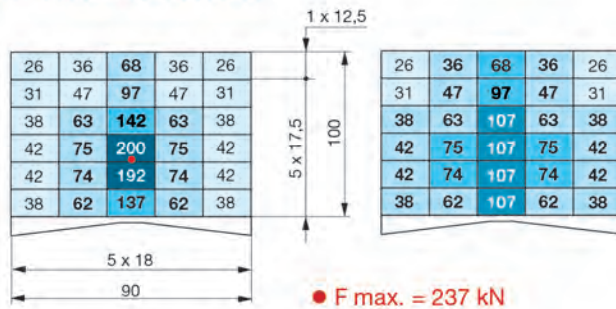
Shouldering

Fitting Key

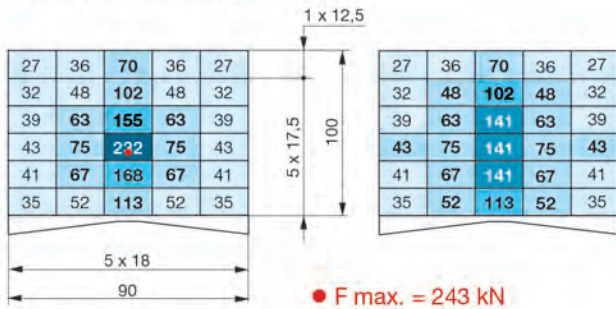
SN5650-PMOK-0090-40°



SN5650-PMOK-0090-50°



SN5650-PMOK-0090-60°



SN5650-PMOK-0090-70°

