

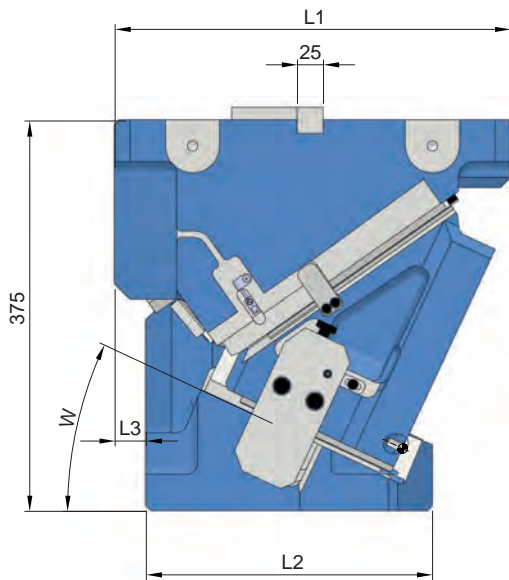


## SN5650-PMO-0580-

### Oben hängender Schieber

Aerial cam unit

<b>Arbeitsfläche</b>	<i>Working area</i>	580 x 177 mm
<b>Schieberbreite max.</b>	<i>Cam unit width max.</i>	580 mm
<b>Einbauhöhe</b>	<i>Installation height</i>	375 mm
<b>Schieberkraft</b>	<i>Cam force</i>	1500 kN



Gusstoleranzgrad CT  
nach DIN ISO 8062

(blau = Rohgussfläche)

Casting tolerance grade CT  
according to DIN ISO 8062

(blue = raw casting area)

**Positionskontrolle:**  
**Control of position:**



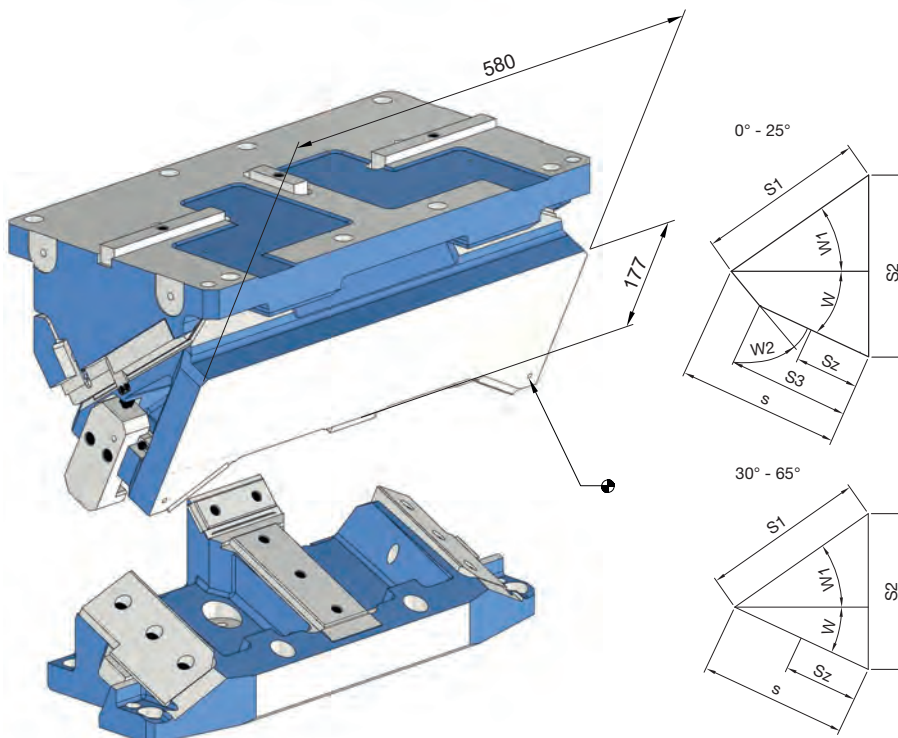
**Pos. 1**

Schieber zusammengefahren  
Cam is moved together



**Pos. 2**

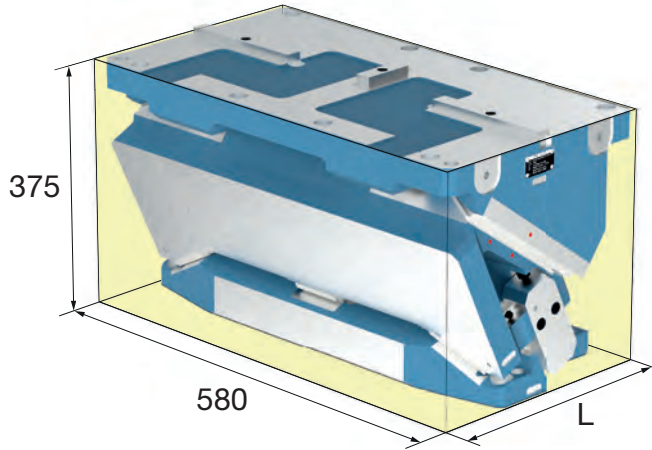
Schieber ausgefahren  
Cam is extended



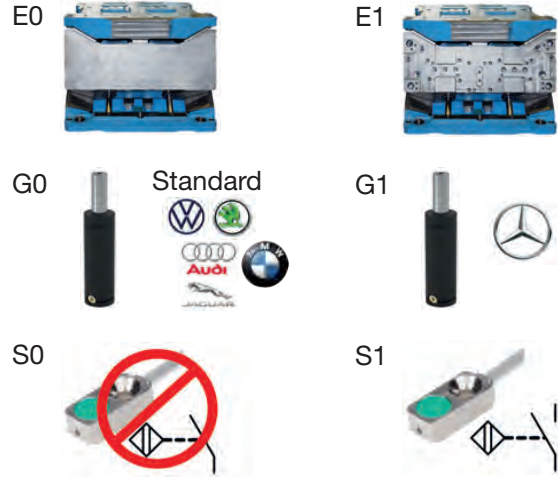
Sz = Eingriffslänge Aktivrückzug, 0° - 25° mit Vorbeschleunigung, 30° - 65° ohne Vorbeschleunigung

Sz = Engagement length of activ return, 0° - 25° with pre-acceleration, 30° - 65° without pre-acceleration

## SN5650-PMO-0580- Oben hängender Schieber



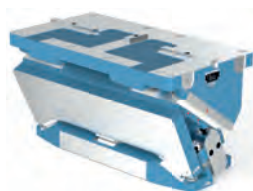
Mat.: EN-GJS-600-3 (GGG 60)



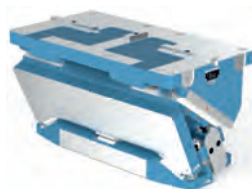
W = Schieberwinkel  
Cam Angle  
E = Einarbeitung  
Machining

G = Gasdruckfeder  
Gas spring  
SE = Sensor  
Sensor

W	E	G	SE	L	W1	W2	s	S1	S2	S3	Sz	L1	L2	L3	No.
0°	E0	G0	S0	365	47	30	45.7	67	55.2	35	26	360	300	65	SN5650-PMO-0580-00-E0-G0-S0-V04
0°	E0	G0	S1	365	47	30	45.7	67	55.2	35	26	360	300	65	SN5650-PMO-0580-00-E0-G0-S1-V04
0°	E0	G1	S0	365	47	30	45.7	67	55.2	35	26	360	300	65	SN5650-PMO-0580-00-E0-G1-S0-V04
0°	E0	G1	S1	365	47	30	45.7	67	55.2	35	26	360	300	65	SN5650-PMO-0580-00-E0-G1-S1-V04
0°	E1	G0	S0	365	47	30	45.7	67	55.2	35	26	360	300	65	SN5650-PMO-0580-00-E1-G0-S0-V04
0°	E1	G0	S1	365	47	30	45.7	67	55.2	35	26	360	300	65	SN5650-PMO-0580-00-E1-G0-S1-V04
0°	E1	G1	S0	365	47	30	45.7	67	55.2	35	26	360	300	65	SN5650-PMO-0580-00-E1-G1-S0-V04
0°	E1	G1	S1	365	47	30	45.7	67	55.2	35	26	360	300	65	SN5650-PMO-0580-00-E1-G1-S1-V04
5°	E0	G0	S0	365	45	30	48.2	67	59.2	35	26	360	300	65	SN5650-PMO-0580-05-E0-G0-S0-V04
5°	E0	G0	S1	365	45	30	48.2	67	59.2	35	26	360	300	65	SN5650-PMO-0580-05-E0-G0-S1-V04
5°	E0	G1	S0	365	45	30	48.2	67	59.2	35	26	360	300	65	SN5650-PMO-0580-05-E0-G1-S0-V04
5°	E0	G1	S1	365	45	30	48.2	67	59.2	35	26	360	300	65	SN5650-PMO-0580-05-E0-G1-S1-V04
5°	E1	G0	S0	365	45	30	48.2	67	59.2	35	26	360	300	65	SN5650-PMO-0580-05-E1-G0-S0-V04
5°	E1	G0	S1	365	45	30	48.2	67	59.2	35	26	360	300	65	SN5650-PMO-0580-05-E1-G0-S1-V04
5°	E1	G1	S0	365	45	30	48.2	67	59.2	35	26	360	300	65	SN5650-PMO-0580-05-E1-G1-S0-V04
5°	E1	G1	S1	365	45	30	48.2	67	59.2	35	26	360	300	65	SN5650-PMO-0580-05-E1-G1-S1-V04
10°	E0	G0	S0	375	42	30	51.8	67	60.5	40	32	375	310	35	SN5650-PMO-0580-10-E0-G0-S0-V04
10°	E0	G0	S1	375	42	30	51.8	67	60.5	40	32	375	310	35	SN5650-PMO-0580-10-E0-G0-S1-V04
10°	E0	G1	S0	375	42	30	51.8	67	60.5	40	32	375	310	35	SN5650-PMO-0580-10-E0-G1-S0-V04
10°	E0	G1	S1	375	42	30	51.8	67	60.5	40	32	375	310	35	SN5650-PMO-0580-10-E0-G1-S1-V04
10°	E1	G0	S0	375	42	30	51.8	67	60.5	40	32	375	310	35	SN5650-PMO-0580-10-E1-G0-S0-V04
10°	E1	G0	S1	375	42	30	51.8	67	60.5	40	32	375	310	35	SN5650-PMO-0580-10-E1-G0-S1-V04
10°	E1	G1	S0	375	42	30	51.8	67	60.5	40	32	375	310	35	SN5650-PMO-0580-10-E1-G1-S0-V04
10°	E1	G1	S1	375	42	30	51.8	67	60.5	40	32	375	310	35	SN5650-PMO-0580-10-E1-G1-S1-V04
15°	E0	G0	S0	375	40	30	55.5	67	66.1	40	32	375	310	35	SN5650-PMO-0580-15-E0-G0-S0-V04
15°	E0	G0	S1	375	40	30	55.5	67	66.1	40	32	375	310	35	SN5650-PMO-0580-15-E0-G0-S1-V04
15°	E0	G1	S0	375	40	30	55.5	67	66.1	40	32	375	310	35	SN5650-PMO-0580-15-E0-G1-S0-V04
15°	E0	G1	S1	375	40	30	55.5	67	66.1	40	32	375	310	35	SN5650-PMO-0580-15-E0-G1-S1-V04
15°	E1	G0	S0	375	40	30	55.5	67	66.1	40	32	375	310	35	SN5650-PMO-0580-15-E1-G0-S0-V04
15°	E1	G0	S1	375	40	30	55.5	67	66.1	40	32	375	310	35	SN5650-PMO-0580-15-E1-G0-S1-V04
15°	E1	G1	S0	375	40	30	55.5	67	66.1	40	32	375	310	35	SN5650-PMO-0580-15-E1-G1-S0-V04
15°	E1	G1	S1	375	40	30	55.5	67	66.1	40	32	375	310	35	SN5650-PMO-0580-15-E1-G1-S1-V04
20°	E0	G0	S0	380	37	25	50.2	57	55.9	40	32	380	275	30	SN5650-PMO-0580-20-E0-G0-S0-V04
20°	E0	G0	S1	380	37	25	50.2	57	55.9	40	32	380	275	30	SN5650-PMO-0580-20-E0-G0-S1-V04



W	E	G	SE	L	W1	W2	s	S1	S2	S3	Sz	L1	L2	L3	No.
20°	E0	G1	S0	380	37	25	50.2	57	55.9	40	32	380	275	30	SN5650-PMO-0580-20-E0-G1-S0-V04
20°	E0	G1	S1	380	37	25	50.2	57	55.9	40	32	380	275	30	SN5650-PMO-0580-20-E0-G1-S1-V04
20°	E1	G0	S0	380	37	25	50.2	57	55.9	40	32	380	275	30	SN5650-PMO-0580-20-E1-G0-S0-V04
20°	E1	G0	S1	380	37	25	50.2	57	55.9	40	32	380	275	30	SN5650-PMO-0580-20-E1-G0-S1-V04
20°	E1	G1	S0	380	37	25	50.2	57	55.9	40	32	380	275	30	SN5650-PMO-0580-20-E1-G1-S0-V04
20°	E1	G1	S1	380	37	25	50.2	57	55.9	40	32	380	275	30	SN5650-PMO-0580-20-E1-G1-S1-V04
25°	E0	G0	S0	380	35	25	54.7	57	62	40	32	380	275	30	SN5650-PMO-0580-25-E0-G0-S0-V04
25°	E0	G0	S1	380	35	25	54.7	57	62	40	32	380	275	30	SN5650-PMO-0580-25-E0-G0-S1-V04
25°	E0	G1	S0	380	35	25	54.7	57	62	40	32	380	275	30	SN5650-PMO-0580-25-E0-G1-S0-V04
25°	E0	G1	S1	380	35	25	54.7	57	62	40	32	380	275	30	SN5650-PMO-0580-25-E0-G1-S1-V04
25°	E1	G0	S0	380	35	25	54.7	57	62	40	32	380	275	30	SN5650-PMO-0580-25-E1-G0-S0-V04
25°	E1	G0	S1	380	35	25	54.7	57	62	40	32	380	275	30	SN5650-PMO-0580-25-E1-G0-S1-V04
25°	E1	G1	S0	380	35	25	54.7	57	62	40	32	380	275	30	SN5650-PMO-0580-25-E1-G1-S0-V04
25°	E1	G1	S1	380	35	25	54.7	57	62	40	32	380	275	30	SN5650-PMO-0580-25-E1-G1-S1-V04
30°	E0	G0	S0	390	32	0	50.9	52	53	0	42	390	265	20	SN5650-PMO-0580-30-E0-G0-S0-V04
30°	E0	G0	S1	390	32	0	50.9	52	53	0	42	390	265	20	SN5650-PMO-0580-30-E0-G0-S1-V04
30°	E0	G1	S0	390	32	0	50.9	52	53	0	42	390	265	20	SN5650-PMO-0580-30-E0-G1-S0-V04
30°	E0	G1	S1	390	32	0	50.9	52	53	0	42	390	265	20	SN5650-PMO-0580-30-E0-G1-S1-V04
30°	E1	G0	S0	390	32	0	50.9	52	53	0	42	390	265	20	SN5650-PMO-0580-30-E1-G0-S0-V04
30°	E1	G0	S1	390	32	0	50.9	52	53	0	42	390	265	20	SN5650-PMO-0580-30-E1-G0-S1-V04
30°	E1	G1	S0	390	32	0	50.9	52	53	0	42	390	265	20	SN5650-PMO-0580-30-E1-G1-S0-V04
30°	E1	G1	S1	390	32	0	50.9	52	53	0	42	390	265	20	SN5650-PMO-0580-30-E1-G1-S1-V04
35°	E0	G0	S0	390	30	0	49.7	47	52	0	42	390	265	20	SN5650-PMO-0580-35-E0-G0-S0-V04
35°	E0	G0	S1	390	30	0	49.7	47	52	0	42	390	265	20	SN5650-PMO-0580-35-E0-G0-S1-V04
35°	E0	G1	S0	390	30	0	49.7	47	52	0	42	390	265	20	SN5650-PMO-0580-35-E0-G1-S0-V04
35°	E0	G1	S1	390	30	0	49.7	47	52	0	42	390	265	20	SN5650-PMO-0580-35-E0-G1-S1-V04
35°	E1	G0	S0	390	30	0	49.7	47	52	0	42	390	265	20	SN5650-PMO-0580-35-E1-G0-S0-V04
35°	E1	G0	S1	390	30	0	49.7	47	52	0	42	390	265	20	SN5650-PMO-0580-35-E1-G0-S1-V04
35°	E1	G1	S0	390	30	0	49.7	47	52	0	42	390	265	20	SN5650-PMO-0580-35-E1-G1-S0-V04
35°	E1	G1	S1	390	30	0	49.7	47	52	0	42	390	265	20	SN5650-PMO-0580-35-E1-G1-S1-V04
40°	E0	G0	S0	395	27	0	54.7	47	56.5	0	47	395	260	0	SN5650-PMO-0580-40-E0-G0-S0-V04
40°	E0	G0	S1	395	27	0	54.7	47	56.5	0	47	395	260	0	SN5650-PMO-0580-40-E0-G0-S1-V04
40°	E0	G1	S0	395	27	0	54.7	47	56.5	0	47	395	260	0	SN5650-PMO-0580-40-E0-G1-S0-V04
40°	E0	G1	S1	395	27	0	54.7	47	56.5	0	47	395	260	0	SN5650-PMO-0580-40-E0-G1-S1-V04
40°	E1	G0	S0	395	27	0	54.7	47	56.5	0	47	395	260	0	SN5650-PMO-0580-40-E1-G0-S0-V04
40°	E1	G0	S1	395	27	0	54.7	47	56.5	0	47	395	260	0	SN5650-PMO-0580-40-E1-G0-S1-V04
40°	E1	G1	S0	395	27	0	54.7	47	56.5	0	47	395	260	0	SN5650-PMO-0580-40-E1-G1-S0-V04
40°	E1	G1	S1	395	27	0	54.7	47	56.5	0	47	395	260	0	SN5650-PMO-0580-40-E1-G1-S1-V04
45°	E0	G0	S0	395	25	0	60.2	47	62.5	0	47	395	260	0	SN5650-PMO-0580-45-E0-G0-S0-V04
45°	E0	G0	S1	395	25	0	60.2	47	62.5	0	47	395	260	0	SN5650-PMO-0580-45-E0-G0-S1-V04
45°	E0	G1	S0	395	25	0	60.2	47	62.5	0	47	395	260	0	SN5650-PMO-0580-45-E0-G1-S0-V04
45°	E0	G1	S1	395	25	0	60.2	47	62.5	0	47	395	260	0	SN5650-PMO-0580-45-E0-G1-S1-V04
45°	E1	G0	S0	395	25	0	60.2	47	62.5	0	47	395	260	0	SN5650-PMO-0580-45-E1-G0-S0-V04
45°	E1	G0	S1	395	25	0	60.2	47	62.5	0	47	395	260	0	SN5650-PMO-0580-45-E1-G0-S1-V04
45°	E1	G1	S0	395	25	0	60.2	47	62.5	0	47	395	260	0	SN5650-PMO-0580-45-E1-G1-S0-V04
45°	E1	G1	S1	395	25	0	60.2	47	62.5	0	47	395	260	0	SN5650-PMO-0580-45-E1-G1-S1-V04
50°	E0	G0	S0	415	22	0	67.8	47	69.5	0	52	395	250	20	SN5650-PMO-0580-50-E0-G0-S0-V04
50°	E0	G0	S1	415	22	0	67.8	47	69.5	0	52	395	250	20	SN5650-PMO-0580-50-E0-G0-S1-V04
50°	E0	G1	S0	415	22	0	67.8	47	69.5	0	52	395	250	20	SN5650-PMO-0580-50-E0-G1-S0-V04
50°	E0	G1	S1	415	22	0	67.8	47	69.5	0	52	395	250	20	SN5650-PMO-0580-50-E0-G1-S1-V04
50°	E1	G0	S0	415	22	0	67.8	47	69.5	0	52	395	250	20	SN5650-PMO-0580-50-E1-G0-S0-V04
50°	E1	G0	S1	415	22	0	67.8	47	69.5	0	52	395	250	20	SN5650-PMO-0580-50-E1-G0-S1-V04
50°	E1	G1	S0	415	22	0	67.8	47	69.5	0	52	395	250	20	SN5650-PMO-0580-50-E1-G1-S0-V04
50°	E1	G1	S1	415	22	0	67.8	47	69.5	0	52	395	250	20	SN5650-PMO-0580-50-E1-G1-S1-V04
55°	E0	G0	S0	415	20	0	68.8	42	70.7	0	52	395	250	20	SN5650-PMO-0580-55-E0-G0-S0-V04

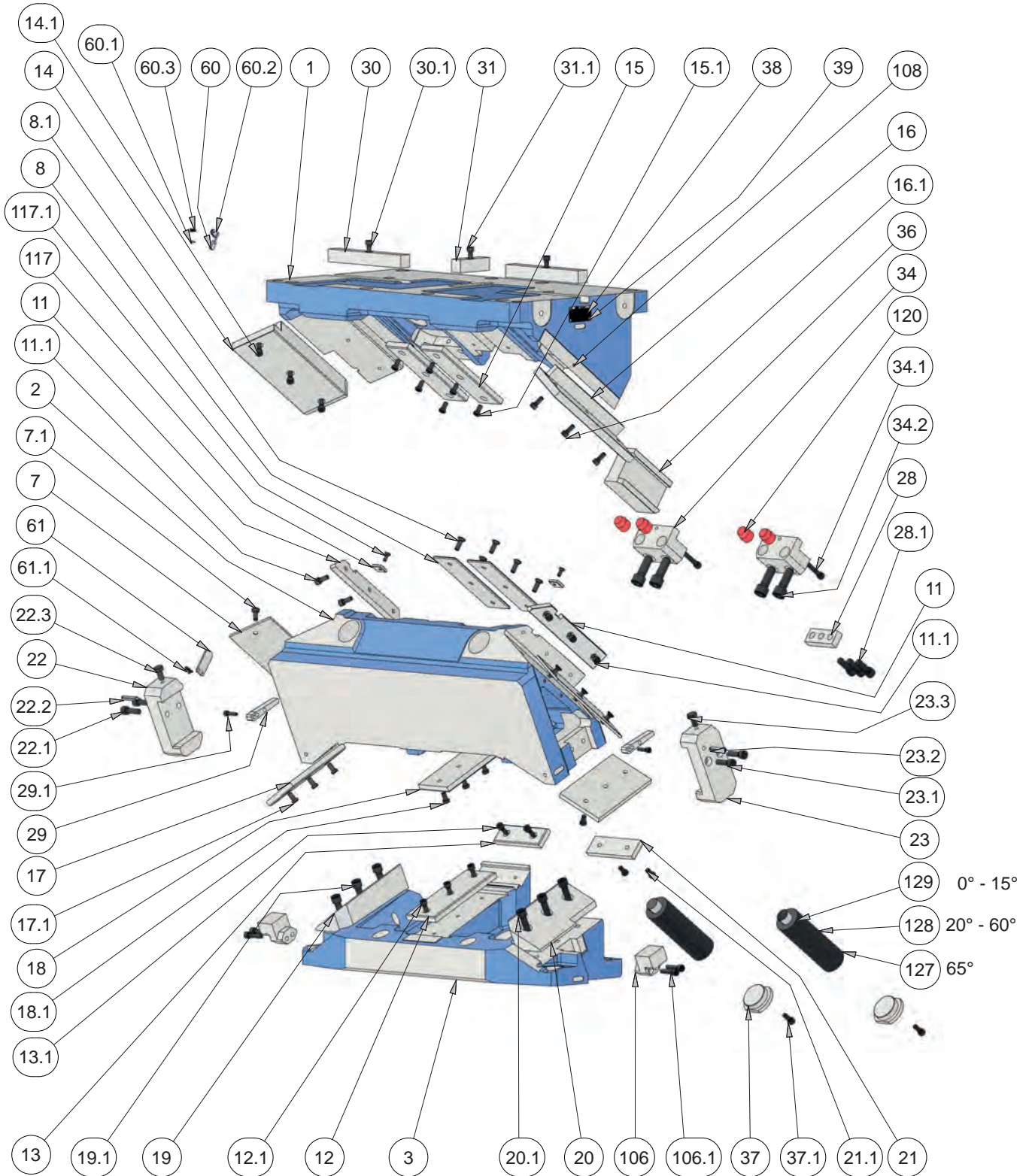


W	E	G	SE	L	W1	W2	s	S1	S2	S3	Sz	L1	L2	L3	No.
55°	E0	G0	S1	415	20	0	68.8	42	70.7	0	52	395	250	20	SN5650-PMO-0580-55-E0-G0-S1-V04
55°	E0	G1	S0	415	20	0	68.8	42	70.7	0	52	395	250	20	SN5650-PMO-0580-55-E0-G1-S0-V04
55°	E0	G1	S1	415	20	0	68.8	42	70.7	0	52	395	250	20	SN5650-PMO-0580-55-E0-G1-S1-V04
55°	E1	G0	S0	415	20	0	68.8	42	70.7	0	52	395	250	20	SN5650-PMO-0580-55-E1-G0-S0-V04
55°	E1	G0	S1	415	20	0	68.8	42	70.7	0	52	395	250	20	SN5650-PMO-0580-55-E1-G0-S1-V04
55°	E1	G1	S0	415	20	0	68.8	42	70.7	0	52	395	250	20	SN5650-PMO-0580-55-E1-G1-S0-V04
55°	E1	G1	S1	415	20	0	68.8	42	70.7	0	52	395	250	20	SN5650-PMO-0580-55-E1-G1-S1-V04
60°	E0	G0	S0	425	17	0	70.8	37	72.1	0	52	395	225	30	SN5650-PMO-0580-60-E0-G0-S0-V04
60°	E0	G0	S1	425	17	0	70.8	37	72.1	0	52	395	225	30	SN5650-PMO-0580-60-E0-G0-S1-V04
60°	E0	G1	S0	425	17	0	70.8	37	72.1	0	52	395	225	30	SN5650-PMO-0580-60-E0-G1-S0-V04
60°	E0	G1	S1	425	17	0	70.8	37	72.1	0	52	395	225	30	SN5650-PMO-0580-60-E0-G1-S1-V04
60°	E1	G0	S0	425	17	0	70.8	37	72.1	0	52	395	225	30	SN5650-PMO-0580-60-E1-G0-S0-V04
60°	E1	G0	S1	425	17	0	70.8	37	72.1	0	52	395	225	30	SN5650-PMO-0580-60-E1-G0-S1-V04
60°	E1	G1	S0	425	17	0	70.8	37	72.1	0	52	395	225	30	SN5650-PMO-0580-60-E1-G1-S0-V04
60°	E1	G1	S1	425	17	0	70.8	37	72.1	0	52	395	225	30	SN5650-PMO-0580-60-E1-G1-S1-V04
65°	E0	G0	S0	425	15	0	73.1	32	74.6	0	52	395	225	30	SN5650-PMO-0580-65-E0-G0-S0-V04
65°	E0	G0	S1	425	15	0	73.1	32	74.6	0	52	395	225	30	SN5650-PMO-0580-65-E0-G0-S1-V04
65°	E0	G1	S0	425	15	0	73.1	32	74.6	0	52	395	225	30	SN5650-PMO-0580-65-E0-G1-S0-V04
65°	E0	G1	S1	425	15	0	73.1	32	74.6	0	52	395	225	30	SN5650-PMO-0580-65-E0-G1-S1-V04
65°	E1	G0	S0	425	15	0	73.1	32	74.6	0	52	395	225	30	SN5650-PMO-0580-65-E1-G0-S0-V04
65°	E1	G0	S1	425	15	0	73.1	32	74.6	0	52	395	225	30	SN5650-PMO-0580-65-E1-G0-S1-V04
65°	E1	G1	S0	425	15	0	73.1	32	74.6	0	52	395	225	30	SN5650-PMO-0580-65-E1-G1-S0-V04
65°	E1	G1	S1	425	15	0	73.1	32	74.6	0	52	395	225	30	SN5650-PMO-0580-65-E1-G1-S1-V04



# SN5650-PMO-0580-

## Bauteile Components



Ersatzteilstückliste je Schieber unter [www.strack.de](http://www.strack.de)

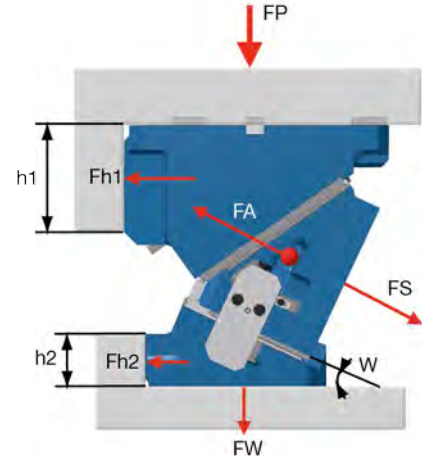
Sparepart lists under [www.strack.de](http://www.strack.de)

## SN5650-PMO-0580-

### Kraftverteilung

#### Force Distribution

W	FS [kN]	FP [kN]	Fh1 [kN]	FW [kN]	Fh2 [kN]	h1 [mm]	h2 [mm]	FA [kN] Standard	FA [kN]
00°	1500	1447	1530	1447	-30	190	50	78	102
05°	1500	1454	1413	1324	76	180	65	83	111
10°	1500	1461	1296	1201	181	170	80	89	119
15°	1500	1467	1194	1081	249	163	78	94	126
20°	1500	1474	1092	961	318	155	75	100	132
25°	1500	1479	1001	847	353	145	88	100	141
30°	1500	1484	910	734	389	135	100	100	150
35°	1500	1489	827	632	397	133	100	100	148
40°	1500	1493	744	529	405	130	100	100	146
45°	1500	1497	667	441	389	120	115	100	143
50°	1500	1502	591	353	373	110	130	100	140
55°	1500	1505	518	281	339	100	148	100	137
60°	1500	1509	446	210	304	90	165	100	139
65°	1500	1507	388	148	245	90	165	100	138



W = Schieberwinkel  
FP = P-Press  
FW = W-Werkzeug  
FS = S-Schieberkraft  
FA = A-Abstreifkraft  
Fh1 = h1-Abschulterung oben  
Fh2 = h2-Abschulterung unten

W = Cam Angle  
FP = P-Press  
FW = W-Tool  
FS = S-Cam Force  
FA = A-Retractility  
Fh1 = h1-Shouldering above  
Fh2 = h2-Shouldering below



# SN5650-PMO-0580-

## Schieberkräfte

### Cam Force

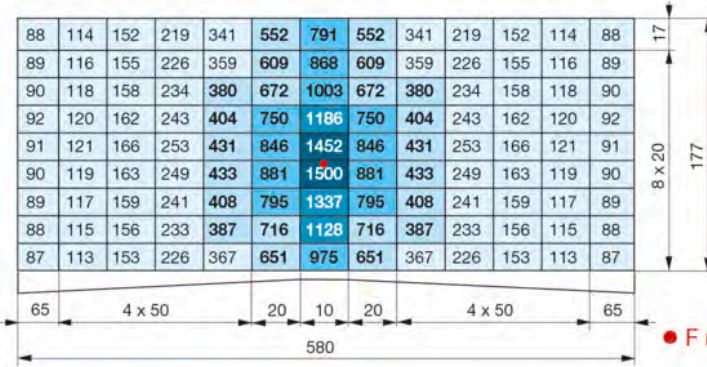
Abschulterung

Shouldering

Passfeder

Fitting Key

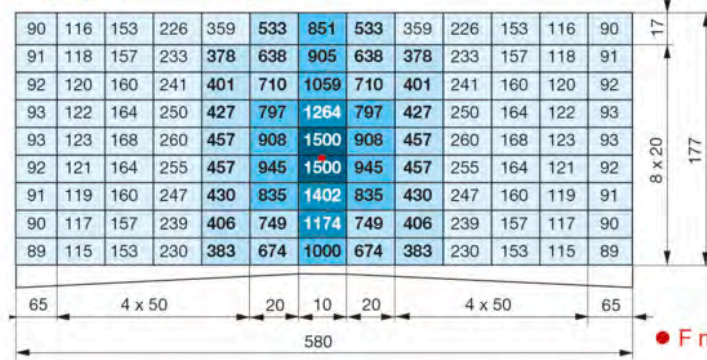
#### SN5650-PMO-0580-0°



54	64	75	86	102	118	125	118	102	86	75	64	54
54	64	75	86	102	118	125	118	102	86	75	64	54
54	64	75	86	102	118	125	118	102	86	75	64	54
54	64	75	86	102	118	125	118	102	86	75	64	54
54	64	75	86	102	118	125	118	102	86	75	64	54
54	64	75	86	102	118	125	118	102	86	75	64	54
54	64	75	86	102	118	125	118	102	86	75	64	54
54	64	75	86	102	118	125	118	102	86	75	64	54
54	64	75	86	102	118	125	118	102	86	75	64	54
54	64	75	86	102	118	125	118	102	86	75	64	54

● F max. = 1500 kN

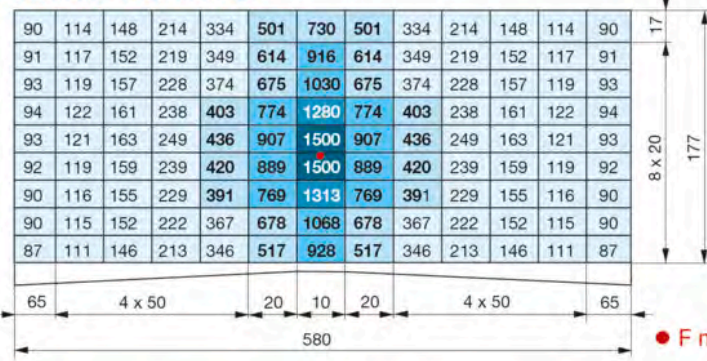
#### SN5650-PMO-0580-10°



60	72	85	103	125	146	157	146	125	103	85	72	60
60	72	85	103	125	146	157	146	125	103	85	72	60
60	72	85	103	125	146	157	146	125	103	85	72	60
60	72	85	103	125	146	157	146	125	103	85	72	60
60	72	85	103	125	146	157	146	125	103	85	72	60
60	72	85	103	125	146	157	146	125	103	85	72	60
60	72	85	103	125	146	157	146	125	103	85	72	60
60	72	85	103	125	146	157	146	125	103	85	72	60
60	72	85	103	125	146	157	146	125	103	85	72	60
60	71	85	103	125	146	157	146	125	103	85	71	60

● F max. = 1500 kN

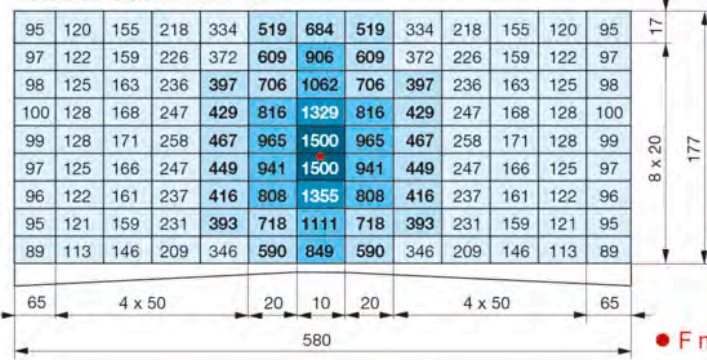
#### SN5650-PMO-0580-20°



66	79	94	116	145	177	195	177	145	116	94	79	66
66	79	94	116	145	177	195	177	145	116	94	79	66
66	79	94	116	145	177	195	177	145	116	94	79	66
66	79	94	116	145	177	195	177	145	116	94	79	66
66	79	94	116	145	177	195	177	145	116	94	79	66
66	79	94	116	145	177	195	177	145	116	94	79	66
66	79	94	116	145	177	195	177	145	116	94	79	66
66	79	94	116	145	177	195	177	145	116	94	79	66
66	79	94	116	145	177	195	177	145	116	94	79	66
66	79	94	116	145	177	195	177	145	116	94	79	66

● F max. = 1500 kN

#### SN5650-PMO-0580-30°



76	91	110	138	177	219	243	219	177	138	110	91	76
76	91	110	138	177	219	243	219	177	138	110	91	76
76	91	110	138	177	219	243	219	177	138	110	91	76
76	91	110	138	177	219	243	219	177	138	110	91	76
76	91	110	138	177	219	243	219	177	138	110	91	76
76	91	110	138	177	219	243	219	177	138	110	91	76
76	91	110	138	177	219	243	219	177	138	110	91	76
76	91	110	138	177	219	243	219	177	138	110	91	76
76	91	110	138	177	219	243	219	177	138	110	91	76
76	91	110	138	177	219	243	219	177	138	110	91	76

● F max. = 1500 kN



## SN5650-PMO-0580-

### Schieberkräfte

### Cam Force

Abschulterung

Shouldering

Passfeder

Fitting Key

#### SN5650-PMO-0580-40°

106	136	174	232	357	539	698	539	357	232	174	136	106
110	139	179	252	419	678	931	678	419	252	179	139	110
112	142	185	264	448	781	1146	781	448	264	185	142	112
115	146	191	277	487	908	1444	908	487	277	191	146	115
114	147	195	291	533	1084	1500	1084	533	291	195	147	114
112	143	189	279	514	1057	1500	1057	514	279	189	143	112
110	140	184	267	474	900	1466	900	474	267	184	140	110
108	137	180	260	448	805	1221	805	448	260	180	137	108
99	125	161	226	375	619	857	619	375	226	161	125	99

90	108	131	165	219	274	307	274	219	165	131	108	90
90	108	131	165	218	273	307	273	218	165	131	108	90
90	108	131	165	218	273	307	273	218	165	131	108	90
90	108	131	165	218	273	307	273	218	165	131	108	90
90	108	131	165	218	273	307	273	218	165	131	108	90
90	108	131	165	218	273	307	273	218	165	131	108	90
90	108	131	165	218	273	307	273	218	165	131	108	90
90	108	131	165	218	273	307	273	218	165	131	108	90
90	108	131	165	219	274	307	274	219	165	131	108	90

● F max. = 1500 kN

#### SN5650-PMO-0580-50°

116	144	176	231	347	520	655	520	347	231	176	144	116
119	149	191	267	420	663	880	663	420	267	191	149	119
121	153	197	279	473	811	1154	811	473	279	197	153	121
124	157	205	293	517	957	1478	957	517	293	205	157	124
124	159	210	309	569	1155	1500	1155	569	309	210	159	124
121	155	204	297	549	1124	1500	1124	549	297	204	155	121
119	151	197	283	504	949	1495	949	504	283	197	151	119
113	143	186	265	458	809	1184	809	458	265	186	143	113
102	128	163	226	369	596	795	596	369	226	163	128	102

111	133	161	204	277	353	396	353	277	204	161	133	111
111	133	161	204	277	352	396	352	277	204	161	133	111
111	133	161	204	277	351	396	351	277	204	161	133	111
111	133	161	204	277	351	396	351	277	204	161	133	111
111	133	161	204	277	351	396	351	277	204	161	133	111
111	133	161	204	277	351	396	351	277	204	161	133	111
111	133	161	204	277	351	396	351	277	204	161	133	111
111	133	161	204	277	351	396	351	277	204	161	133	111
102	128	161	204	277	352	396	352	277	204	161	128	102

● F max. = 1500 kN

#### SN5650-PMO-0580-60°

132	157	190	246	361	540	710	540	361	246	190	157	132
138	172	219	290	443	698	900	698	443	290	219	172	138
141	177	228	317	521	887	1217	887	521	317	228	177	141
145	183	237	335	574	1063	1500	1063	574	335	237	183	145
146	187	246	355	635	1294	1500	1294	635	355	246	187	146
143	181	237	342	614	1263	1500	1263	614	342	237	181	143
140	176	229	325	561	1054	1500	1054	561	325	229	176	140
130	163	210	295	492	858	1201	858	492	295	210	163	130
116	144	182	248	392	632	821	632	392	248	182	144	116

132	157	190	246	361	475	533	475	361	246	190	157	132
138	172	212	268	364	473	533	473	364	268	212	172	138
141	175	212	268	364	472	533	472	364	268	212	175	141
145	175	212	268	364	472	533	472	364	268	212	175	145
146	175	212	268	364	472	533	472	364	268	212	175	146
143	175	212	268	364	472	533	472	364	268	212	175	143
140	175	212	268	364	472	533	472	364	268	212	175	140
130	163	210	268	364	472	533	472	364	268	210	163	130
116	144	182	248	364	473	533	473	364	248	182	144	116

● F max. = 1500 kN