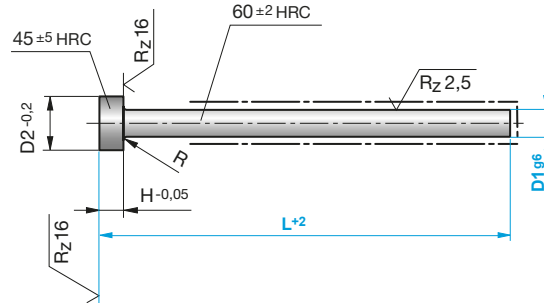




**Z98-DLC**

Auswerferstift



Mat.:  
~1.2516 / DLC  
Norm:  
DIN ISO 6751

52±3 HRC

D1	L	D2	H	R	Order No.	D1	L	D2	H	R	Order No.
0.8	80	2.5	1.2	0.2	Z98-DLC-0.8-80	1.6	63	3	1.5	0.2	Z98-DLC-1.6-63
0.8	100	2.5	1.2	0.2	Z98-DLC-0.8-100	1.6	80	3	1.5	0.2	Z98-DLC-1.6-80
0.8	125	2.5	1.2	0.2	Z98-DLC-0.8-125	1.6	100	3	1.5	0.2	Z98-DLC-1.6-100
0.8	160	2.5	1.2	0.2	Z98-DLC-0.8-160	1.6	125	3	1.5	0.2	Z98-DLC-1.6-125
0.9	80	2.5	1.2	0.2	Z98-DLC-0.9-80	1.6	160	3	1.5	0.2	Z98-DLC-1.6-160
0.9	100	2.5	1.2	0.2	Z98-DLC-0.9-100	1.6	200	3	1.5	0.2	Z98-DLC-1.6-200
0.9	125	2.5	1.2	0.2	Z98-DLC-0.9-125	1.6	250	3	1.5	0.2	Z98-DLC-1.6-250
1	80	2.5	1.2	0.2	Z98-DLC-1-80	1.6	400	3	1.5	0.2	Z98-DLC-1.6-400
1	100	2.5	1.2	0.2	Z98-DLC-1-100	1.7	80	3	1.5	0.2	Z98-DLC-1.7-80
1	125	2.5	1.2	0.2	Z98-DLC-1-125	1.7	100	3	1.5	0.2	Z98-DLC-1.7-100
1	160	2.5	1.2	0.2	Z98-DLC-1-160	1.7	125	3	1.5	0.2	Z98-DLC-1.7-125
1	200	2.5	1.2	0.2	Z98-DLC-1-200	1.7	160	3	1.5	0.2	Z98-DLC-1.7-160
1	250	2.5	1.2	0.2	Z98-DLC-1-250	1.7	200	3	1.5	0.2	Z98-DLC-1.7-200
1.1	80	2.5	1.2	0.2	Z98-DLC-1.1-80	1.7	250	3	1.5	0.2	Z98-DLC-1.7-250
1.1	100	2.5	1.2	0.2	Z98-DLC-1.1-100	1.8	80	3	1.5	0.2	Z98-DLC-1.8-80
1.1	125	2.5	1.2	0.2	Z98-DLC-1.1-125	1.8	100	3	1.5	0.2	Z98-DLC-1.8-100
1.1	160	2.5	1.2	0.2	Z98-DLC-1.1-160	1.8	125	3	1.5	0.2	Z98-DLC-1.8-125
1.1	250	2.5	1.2	0.2	Z98-DLC-1.1-250	1.8	160	3	1.5	0.2	Z98-DLC-1.8-160
1.2	80	2.5	1.2	0.2	Z98-DLC-1.2-80	1.8	200	3	1.5	0.2	Z98-DLC-1.8-200
1.2	100	2.5	1.2	0.2	Z98-DLC-1.2-100	1.8	250	3	1.5	0.2	Z98-DLC-1.8-250
1.2	125	2.5	1.2	0.2	Z98-DLC-1.2-125	1.8	400	3	1.5	0.2	Z98-DLC-1.8-400
1.2	160	2.5	1.2	0.2	Z98-DLC-1.2-160	1.9	80	3	1.5	0.2	Z98-DLC-1.9-80
1.2	200	2.5	1.2	0.2	Z98-DLC-1.2-200	1.9	100	3	1.5	0.2	Z98-DLC-1.9-100
1.2	250	2.5	1.2	0.2	Z98-DLC-1.2-250	1.9	125	3	1.5	0.2	Z98-DLC-1.9-125
1.3	80	3	1.5	0.2	Z98-DLC-1.3-80	1.9	160	3	1.5	0.2	Z98-DLC-1.9-160
1.3	100	3	1.5	0.2	Z98-DLC-1.3-100	1.9	200	3	1.5	0.2	Z98-DLC-1.9-200
1.3	125	3	1.5	0.2	Z98-DLC-1.3-125	2	40	4	2.0	0.2	Z98-DLC-2-40
1.3	160	3	1.5	0.2	Z98-DLC-1.3-160	2	63	4	2.0	0.2	Z98-DLC-2-63
1.3	200	3	1.5	0.2	Z98-DLC-1.3-200	2	80	4	2.0	0.2	Z98-DLC-2-80
1.3	250	3	1.5	0.2	Z98-DLC-1.3-250	2	100	4	2.0	0.2	Z98-DLC-2-100
1.4	80	3	1.5	0.2	Z98-DLC-1.4-80	2	125	4	2.0	0.2	Z98-DLC-2-125
1.4	100	3	1.5	0.2	Z98-DLC-1.4-100	2	160	4	2.0	0.2	Z98-DLC-2-160
1.4	125	3	1.5	0.2	Z98-DLC-1.4-125	2	200	4	2.0	0.2	Z98-DLC-2-200
1.4	160	3	1.5	0.2	Z98-DLC-1.4-160	2	250	4	2.0	0.2	Z98-DLC-2-250
1.4	200	3	1.5	0.2	Z98-DLC-1.4-200	2	315	4	2.0	0.2	Z98-DLC-2-315
1.4	250	3	1.5	0.2	Z98-DLC-1.4-250	2	400	4	2.0	0.2	Z98-DLC-2-400
1.5	80	3	1.5	0.2	Z98-DLC-1.5-80	2	500	4	2.0	0.2	Z98-DLC-2-500
1.5	100	3	1.5	0.2	Z98-DLC-1.5-100	2.1	125	4	2.0	0.2	Z98-DLC-2.1-125
1.5	125	3	1.5	0.2	Z98-DLC-1.5-125	2.1	160	4	2.0	0.2	Z98-DLC-2.1-160
1.5	160	3	1.5	0.2	Z98-DLC-1.5-160	2.1	200	4	2.0	0.2	Z98-DLC-2.1-200
1.5	200	3	1.5	0.2	Z98-DLC-1.5-200	2.1	315	4	2.0	0.2	Z98-DLC-2.1-315
1.5	250	3	1.5	0.2	Z98-DLC-1.5-250	2.2	100	4	2.0	0.2	Z98-DLC-2.2-100
1.5	315	3	1.5	0.2	Z98-DLC-1.5-315	2.2	125	4	2.0	0.2	Z98-DLC-2.2-125
1.6	40	3	1.5	0.2	Z98-DLC-1.6-40	2.2	160	4	2.0	0.2	Z98-DLC-2.2-160



**Z98-DLC**

Auswerferstift



D1	L	D2	H	R	Order No.	D1	L	D2	H	R	Order No.
2.2	200	4	2.0	0.2	Z98-DLC-2.2-200	3.5	100	7	3.0	0.3	Z98-DLC-3.5-100
2.2	250	4	2.0	0.2	Z98-DLC-2.2-250	3.5	125	7	3.0	0.3	Z98-DLC-3.5-125
2.2	315	4	2.0	0.2	Z98-DLC-2.2-315	3.5	160	7	3.0	0.3	Z98-DLC-3.5-160
2.2	500	4	2.0	0.2	Z98-DLC-2.2-500	3.5	200	7	3.0	0.3	Z98-DLC-3.5-200
2.3	125	4	2.0	0.2	Z98-DLC-2.3-125	3.5	250	7	3.0	0.3	Z98-DLC-3.5-250
2.3	200	4	2.0	0.2	Z98-DLC-2.3-200	3.5	315	7	3.0	0.3	Z98-DLC-3.5-315
2.4	125	5	2.0	0.3	Z98-DLC-2.4-125	3.5	400	7	3.0	0.3	Z98-DLC-3.5-400
2.4	200	5	2.0	0.3	Z98-DLC-2.4-200	3.5	500	7	3.0	0.3	Z98-DLC-3.5-500
2.5	40	5	2.0	0.3	Z98-DLC-2.5-40	3.6	125	7	3.0	0.3	Z98-DLC-3.6-125
2.5	63	5	2.0	0.3	Z98-DLC-2.5-63	3.6	200	7	3.0	0.3	Z98-DLC-3.6-200
2.5	80	5	2.0	0.3	Z98-DLC-2.5-80	3.7	100	7	3.0	0.3	Z98-DLC-3.7-100
2.5	100	5	2.0	0.3	Z98-DLC-2.5-100	3.7	125	7	3.0	0.3	Z98-DLC-3.7-125
2.5	125	5	2.0	0.3	Z98-DLC-2.5-125	3.7	160	7	3.0	0.3	Z98-DLC-3.7-160
2.5	160	5	2.0	0.3	Z98-DLC-2.5-160	3.7	200	7	3.0	0.3	Z98-DLC-3.7-200
2.5	200	5	2.0	0.3	Z98-DLC-2.5-200	3.7	250	7	3.0	0.3	Z98-DLC-3.7-250
2.5	250	5	2.0	0.3	Z98-DLC-2.5-250	3.7	315	7	3.0	0.3	Z98-DLC-3.7-315
2.5	315	5	2.0	0.3	Z98-DLC-2.5-315	3.7	400	7	3.0	0.3	Z98-DLC-3.7-400
2.5	400	5	2.0	0.3	Z98-DLC-2.5-400	3.8	125	7	3.0	0.3	Z98-DLC-3.8-125
2.5	500	5	2.0	0.3	Z98-DLC-2.5-500	3.8	200	7	3.0	0.3	Z98-DLC-3.8-200
2.6	125	5	2.0	0.3	Z98-DLC-2.6-125	3.9	125	7	3.0	0.3	Z98-DLC-3.9-125
2.6	200	5	2.0	0.3	Z98-DLC-2.6-200	3.9	200	7	3.0	0.3	Z98-DLC-3.9-200
2.7	100	5	2.0	0.3	Z98-DLC-2.7-100	4	40	8	3.0	0.3	Z98-DLC-4-40
2.7	125	5	2.0	0.3	Z98-DLC-2.7-125	4	63	8	3.0	0.3	Z98-DLC-4-63
2.7	160	5	2.0	0.3	Z98-DLC-2.7-160	4	80	8	3.0	0.3	Z98-DLC-4-80
2.7	200	5	2.0	0.3	Z98-DLC-2.7-200	4	100	8	3.0	0.3	Z98-DLC-4-100
2.7	250	5	2.0	0.3	Z98-DLC-2.7-250	4	125	8	3.0	0.3	Z98-DLC-4-125
2.7	400	5	2.0	0.3	Z98-DLC-2.7-400	4	160	8	3.0	0.3	Z98-DLC-4-160
2.8	125	5	2.0	0.3	Z98-DLC-2.8-125	4	200	8	3.0	0.3	Z98-DLC-4-200
2.8	200	5	2.0	0.3	Z98-DLC-2.8-200	4	250	8	3.0	0.3	Z98-DLC-4-250
2.9	125	6	3.0	0.3	Z98-DLC-2.9-125	4	315	8	3.0	0.3	Z98-DLC-4-315
2.9	200	6	3.0	0.3	Z98-DLC-2.9-200	4	400	8	3.0	0.3	Z98-DLC-4-400
3	40	6	3.0	0.3	Z98-DLC-3-40	4	500	8	3.0	0.3	Z98-DLC-4-500
3	63	6	3.0	0.3	Z98-DLC-3-63	4	630	8	3.0	0.3	Z98-DLC-4-630
3	80	6	3.0	0.3	Z98-DLC-3-80	4.1	125	8	3.0	0.3	Z98-DLC-4.1-125
3	100	6	3.0	0.3	Z98-DLC-3-100	4.1	200	8	3.0	0.3	Z98-DLC-4.1-200
3	125	6	3.0	0.3	Z98-DLC-3-125	4.1	400	8	3.0	0.3	Z98-DLC-4.1-400
3	160	6	3.0	0.3	Z98-DLC-3-160	4.2	100	8	3.0	0.3	Z98-DLC-4.2-100
3	200	6	3.0	0.3	Z98-DLC-3-200	4.2	125	8	3.0	0.3	Z98-DLC-4.2-125
3	250	6	3.0	0.3	Z98-DLC-3-250	4.2	160	8	3.0	0.3	Z98-DLC-4.2-160
3	315	6	3.0	0.3	Z98-DLC-3-315	4.2	200	8	3.0	0.3	Z98-DLC-4.2-200
3	400	6	3.0	0.3	Z98-DLC-3-400	4.2	250	8	3.0	0.3	Z98-DLC-4.2-250
3	500	6	3.0	0.3	Z98-DLC-3-500	4.2	315	8	3.0	0.3	Z98-DLC-4.2-315
3.1	125	6	3.0	0.3	Z98-DLC-3.1-125	4.2	400	8	3.0	0.3	Z98-DLC-4.2-400
3.1	200	6	3.0	0.3	Z98-DLC-3.1-200	4.3	125	8	3.0	0.3	Z98-DLC-4.3-125
3.1	400	6	3.0	0.3	Z98-DLC-3.1-400	4.3	200	8	3.0	0.3	Z98-DLC-4.3-200
3.2	100	6	3.0	0.3	Z98-DLC-3.2-100	4.3	400	8	3.0	0.3	Z98-DLC-4.3-400
3.2	125	6	3.0	0.3	Z98-DLC-3.2-125	4.4	125	8	3.0	0.3	Z98-DLC-4.4-125
3.2	160	6	3.0	0.3	Z98-DLC-3.2-160	4.4	200	8	3.0	0.3	Z98-DLC-4.4-200
3.2	200	6	3.0	0.3	Z98-DLC-3.2-200	4.4	400	8	3.0	0.3	Z98-DLC-4.4-400
3.2	250	6	3.0	0.3	Z98-DLC-3.2-250	4.5	100	8	3.0	0.3	Z98-DLC-4.5-100
3.2	315	6	3.0	0.3	Z98-DLC-3.2-315	4.5	125	8	3.0	0.3	Z98-DLC-4.5-125
3.2	400	6	3.0	0.3	Z98-DLC-3.2-400	4.5	160	8	3.0	0.3	Z98-DLC-4.5-160
3.3	125	6	3.0	0.3	Z98-DLC-3.3-125	4.5	200	8	3.0	0.3	Z98-DLC-4.5-200
3.3	200	6	3.0	0.3	Z98-DLC-3.3-200	4.5	250	8	3.0	0.3	Z98-DLC-4.5-250
3.4	125	6	3.0	0.3	Z98-DLC-3.4-125	4.5	315	8	3.0	0.3	Z98-DLC-4.5-315
3.4	200	6	3.0	0.3	Z98-DLC-3.4-200	4.5	400	8	3.0	0.3	Z98-DLC-4.5-400



## Z98-DLC

Auswerferstift



D1	L	D2	H	R	Order No.	D1	L	D2	H	R	Order No.
4.5	500	8	3.0	0.3	Z98-DLC-4.5-500	6	125	12	5.0	0.5	Z98-DLC-6-125
4.7	100	8	3.0	0.3	Z98-DLC-4.7-100	6	160	12	5.0	0.5	Z98-DLC-6-160
4.7	125	8	3.0	0.3	Z98-DLC-4.7-125	6	200	12	5.0	0.5	Z98-DLC-6-200
4.7	160	8	3.0	0.3	Z98-DLC-4.7-160	6	250	12	5.0	0.5	Z98-DLC-6-250
4.7	200	8	3.0	0.3	Z98-DLC-4.7-200	6	315	12	5.0	0.5	Z98-DLC-6-315
4.7	250	8	3.0	0.3	Z98-DLC-4.7-250	6	400	12	5.0	0.5	Z98-DLC-6-400
4.7	400	8	3.0	0.3	Z98-DLC-4.7-400	6	500	12	5.0	0.5	Z98-DLC-6-500
4.8	125	8	3.0	0.3	Z98-DLC-4.8-125	6	630	12	5.0	0.5	Z98-DLC-6-630
4.8	200	8	3.0	0.3	Z98-DLC-4.8-200	6	800	12	5.0	0.5	Z98-DLC-6-800
4.9	125	8	3.0	0.3	Z98-DLC-4.9-125	6.1	125	12	5.0	0.5	Z98-DLC-6.1-125
4.9	200	8	3.0	0.3	Z98-DLC-4.9-200	6.1	250	12	5.0	0.5	Z98-DLC-6.1-250
5	40	10	3.0	0.3	Z98-DLC-5-40	6.2	100	12	5.0	0.5	Z98-DLC-6.2-100
5	63	10	3.0	0.3	Z98-DLC-5-63	6.2	125	12	5.0	0.5	Z98-DLC-6.2-125
5	80	10	3.0	0.3	Z98-DLC-5-80	6.2	160	12	5.0	0.5	Z98-DLC-6.2-160
5	100	10	3.0	0.3	Z98-DLC-5-100	6.2	200	12	5.0	0.5	Z98-DLC-6.2-200
5	125	10	3.0	0.3	Z98-DLC-5-125	6.2	250	12	5.0	0.5	Z98-DLC-6.2-250
5	160	10	3.0	0.3	Z98-DLC-5-160	6.2	315	12	5.0	0.5	Z98-DLC-6.2-315
5	200	10	3.0	0.3	Z98-DLC-5-200	6.2	400	12	5.0	0.5	Z98-DLC-6.2-400
5	250	10	3.0	0.3	Z98-DLC-5-250	6.2	500	12	5.0	0.5	Z98-DLC-6.2-500
5	315	10	3.0	0.3	Z98-DLC-5-315	6.2	630	12	5.0	0.5	Z98-DLC-6.2-630
5	400	10	3.0	0.3	Z98-DLC-5-400	6.5	100	12	5.0	0.5	Z98-DLC-6.5-100
5	500	10	3.0	0.3	Z98-DLC-5-500	6.5	125	12	5.0	0.5	Z98-DLC-6.5-125
5	630	10	3.0	0.3	Z98-DLC-5-630	6.5	160	12	5.0	0.5	Z98-DLC-6.5-160
5.1	125	10	3.0	0.3	Z98-DLC-5.1-125	6.5	200	12	5.0	0.5	Z98-DLC-6.5-200
5.1	200	10	3.0	0.3	Z98-DLC-5.1-200	6.5	250	12	5.0	0.5	Z98-DLC-6.5-250
5.1	250	10	3.0	0.3	Z98-DLC-5.1-250	6.5	315	12	5.0	0.5	Z98-DLC-6.5-315
5.2	100	10	3.0	0.3	Z98-DLC-5.2-100	6.5	400	12	5.0	0.5	Z98-DLC-6.5-400
5.2	125	10	3.0	0.3	Z98-DLC-5.2-125	6.5	630	12	5.0	0.5	Z98-DLC-6.5-630
5.2	160	10	3.0	0.3	Z98-DLC-5.2-160	7	100	12	5.0	0.5	Z98-DLC-7-100
5.2	200	10	3.0	0.3	Z98-DLC-5.2-200	7	125	12	5.0	0.5	Z98-DLC-7-125
5.2	250	10	3.0	0.3	Z98-DLC-5.2-250	7	160	12	5.0	0.5	Z98-DLC-7-160
5.2	315	10	3.0	0.3	Z98-DLC-5.2-315	7	200	12	5.0	0.5	Z98-DLC-7-200
5.2	400	10	3.0	0.3	Z98-DLC-5.2-400	7	250	12	5.0	0.5	Z98-DLC-7-250
5.2	500	10	3.0	0.3	Z98-DLC-5.2-500	7	315	12	5.0	0.5	Z98-DLC-7-315
5.3	125	10	3.0	0.3	Z98-DLC-5.3-125	7	400	12	5.0	0.5	Z98-DLC-7-400
5.3	250	10	3.0	0.3	Z98-DLC-5.3-250	7	630	12	5.0	0.5	Z98-DLC-7-630
5.4	125	10	3.0	0.3	Z98-DLC-5.4-125	7.5	160	12	5.0	0.5	Z98-DLC-7.5-160
5.4	250	10	3.0	0.3	Z98-DLC-5.4-250	7.5	250	12	5.0	0.5	Z98-DLC-7.5-250
5.5	100	10	3.0	0.3	Z98-DLC-5.5-100	7.5	400	12	5.0	0.5	Z98-DLC-7.5-400
5.5	125	10	3.0	0.3	Z98-DLC-5.5-125	8	63	14	5.0	0.5	Z98-DLC-8-63
5.5	160	10	3.0	0.3	Z98-DLC-5.5-160	8	80	14	5.0	0.5	Z98-DLC-8-80
5.5	200	10	3.0	0.3	Z98-DLC-5.5-200	8	100	14	5.0	0.5	Z98-DLC-8-100
5.5	250	10	3.0	0.3	Z98-DLC-5.5-250	8	125	14	5.0	0.5	Z98-DLC-8-125
5.5	315	10	3.0	0.3	Z98-DLC-5.5-315	8	160	14	5.0	0.5	Z98-DLC-8-160
5.5	400	10	3.0	0.3	Z98-DLC-5.5-400	8	200	14	5.0	0.5	Z98-DLC-8-200
5.5	500	10	3.0	0.3	Z98-DLC-5.5-500	8	250	14	5.0	0.5	Z98-DLC-8-250
5.6	125	10	3.0	0.3	Z98-DLC-5.6-125	8	315	14	5.0	0.5	Z98-DLC-8-315
5.6	250	10	3.0	0.3	Z98-DLC-5.6-250	8	400	14	5.0	0.5	Z98-DLC-8-400
5.7	125	10	3.0	0.3	Z98-DLC-5.7-125	8	500	14	5.0	0.5	Z98-DLC-8-500
5.7	250	10	3.0	0.3	Z98-DLC-5.7-250	8	630	14	5.0	0.5	Z98-DLC-8-630
5.8	125	10	3.0	0.3	Z98-DLC-5.8-125	8	800	14	5.0	0.5	Z98-DLC-8-800
5.8	250	10	3.0	0.3	Z98-DLC-5.8-250	8.1	125	14	5.0	0.5	Z98-DLC-8.1-125
6	40	12	5.0	0.5	Z98-DLC-6-40	8.1	250	14	5.0	0.5	Z98-DLC-8.1-250
6	63	12	5.0	0.5	Z98-DLC-6-63	8.1	500	14	5.0	0.5	Z98-DLC-8.1-500
6	80	12	5.0	0.5	Z98-DLC-6-80	8.2	100	14	5.0	0.5	Z98-DLC-8.2-100
6	100	12	5.0	0.5	Z98-DLC-6-100	8.2	125	14	5.0	0.5	Z98-DLC-8.2-125



## Z98-DLC

Auswerferstift



D1	L	D2	H	R	Order No.	D1	L	D2	H	R	Order No.
8.2	160	14	5.0	0.5	Z98-DLC-8.2-160	12	500	18	7.0	0.8	Z98-DLC-12-500
8.2	200	14	5.0	0.5	Z98-DLC-8.2-200	12	630	18	7.0	0.8	Z98-DLC-12-630
8.2	250	14	5.0	0.5	Z98-DLC-8.2-250	12	800	18	7.0	0.8	Z98-DLC-12-800
8.2	315	14	5.0	0.5	Z98-DLC-8.2-315	12.2	200	18	7.0	0.8	Z98-DLC-12.2-200
8.2	500	14	5.0	0.5	Z98-DLC-8.2-500	12.2	400	18	7.0	0.8	Z98-DLC-12.2-400
8.3	250	14	5.0	0.5	Z98-DLC-8.3-250	12.5	100	18	7.0	0.8	Z98-DLC-12.5-100
8.4	250	14	5.0	0.5	Z98-DLC-8.4-250	12.5	125	18	7.0	0.8	Z98-DLC-12.5-125
8.5	100	14	5.0	0.5	Z98-DLC-8.5-100	12.5	160	18	7.0	0.8	Z98-DLC-12.5-160
8.5	125	14	5.0	0.5	Z98-DLC-8.5-125	12.5	200	18	7.0	0.8	Z98-DLC-12.5-200
8.5	160	14	5.0	0.5	Z98-DLC-8.5-160	12.5	250	18	7.0	0.8	Z98-DLC-12.5-250
8.5	200	14	5.0	0.5	Z98-DLC-8.5-200	12.5	315	18	7.0	0.8	Z98-DLC-12.5-315
8.5	250	14	5.0	0.5	Z98-DLC-8.5-250	13	160	18	7.0	0.8	Z98-DLC-13-160
8.5	315	14	5.0	0.5	Z98-DLC-8.5-315	13	250	18	7.0	0.8	Z98-DLC-13-250
8.5	500	14	5.0	0.5	Z98-DLC-8.5-500	13.5	200	22	7.0	0.8	Z98-DLC-13.5-200
9	100	14	5.0	0.5	Z98-DLC-9-100	13.5	400	22	7.0	0.8	Z98-DLC-13.5-400
9	125	14	5.0	0.5	Z98-DLC-9-125	14	100	22	7.0	0.8	Z98-DLC-14-100
9	160	14	5.0	0.5	Z98-DLC-9-160	14	125	22	7.0	0.8	Z98-DLC-14-125
9	200	14	5.0	0.5	Z98-DLC-9-200	14	160	22	7.0	0.8	Z98-DLC-14-160
9	250	14	5.0	0.5	Z98-DLC-9-250	14	200	22	7.0	0.8	Z98-DLC-14-200
9	315	14	5.0	0.5	Z98-DLC-9-315	14	250	22	7.0	0.8	Z98-DLC-14-250
9	500	14	5.0	0.5	Z98-DLC-9-500	14	315	22	7.0	0.8	Z98-DLC-14-315
9.5	200	14	5.0	0.5	Z98-DLC-9.5-200	14	400	22	7.0	0.8	Z98-DLC-14-400
9.5	400	14	5.0	0.5	Z98-DLC-9.5-400	14.5	200	22	7.0	0.8	Z98-DLC-14.5-200
10	80	16	5.0	0.5	Z98-DLC-10-80	14.5	400	22	7.0	0.8	Z98-DLC-14.5-400
10	100	16	5.0	0.5	Z98-DLC-10-100	15	160	22	7.0	0.8	Z98-DLC-15-160
10	125	16	5.0	0.5	Z98-DLC-10-125	15	250	22	7.0	0.8	Z98-DLC-15-250
10	160	16	5.0	0.5	Z98-DLC-10-160	15	400	22	7.0	0.8	Z98-DLC-15-400
10	200	16	5.0	0.5	Z98-DLC-10-200	16	100	22	7.0	0.8	Z98-DLC-16-100
10	250	16	5.0	0.5	Z98-DLC-10-250	16	125	22	7.0	0.8	Z98-DLC-16-125
10	315	16	5.0	0.5	Z98-DLC-10-315	16	160	22	7.0	0.8	Z98-DLC-16-160
10	400	16	5.0	0.5	Z98-DLC-10-400	16	200	22	7.0	0.8	Z98-DLC-16-200
10	500	16	5.0	0.5	Z98-DLC-10-500	16	250	22	7.0	0.8	Z98-DLC-16-250
10	630	16	5.0	0.5	Z98-DLC-10-630	16	315	22	7.0	0.8	Z98-DLC-16-315
10	800	16	5.0	0.5	Z98-DLC-10-800	16	400	22	7.0	0.8	Z98-DLC-16-400
10.2	125	16	5.0	0.5	Z98-DLC-10.2-125	16	500	22	7.0	0.8	Z98-DLC-16-500
10.2	160	16	5.0	0.5	Z98-DLC-10.2-160	16	630	22	7.0	0.8	Z98-DLC-16-630
10.2	200	16	5.0	0.5	Z98-DLC-10.2-200	16	800	22	7.0	0.8	Z98-DLC-16-800
10.2	250	16	5.0	0.5	Z98-DLC-10.2-250	18	160	24	7.0	0.8	Z98-DLC-18-160
10.2	315	16	5.0	0.5	Z98-DLC-10.2-315	18	250	24	7.0	0.8	Z98-DLC-18-250
10.2	400	16	5.0	0.5	Z98-DLC-10.2-400	18	400	24	7.0	0.8	Z98-DLC-18-400
10.5	100	16	5.0	0.5	Z98-DLC-10.5-100	20	125	26	8.0	1.0	Z98-DLC-20-125
10.5	125	16	5.0	0.5	Z98-DLC-10.5-125	20	160	26	8.0	1.0	Z98-DLC-20-160
10.5	160	16	5.0	0.5	Z98-DLC-10.5-160	20	200	26	8.0	1.0	Z98-DLC-20-200
10.5	200	16	5.0	0.5	Z98-DLC-10.5-200	20	250	26	8.0	1.0	Z98-DLC-20-250
10.5	250	16	5.0	0.5	Z98-DLC-10.5-250	20	315	26	8.0	1.0	Z98-DLC-20-315
10.5	315	16	5.0	0.5	Z98-DLC-10.5-315	20	400	26	8.0	1.0	Z98-DLC-20-400
10.5	400	16	5.0	0.5	Z98-DLC-10.5-400	20	500	26	8.0	1.0	Z98-DLC-20-500
11	160	16	5.0	0.5	Z98-DLC-11-160	20	630	26	8.0	1.0	Z98-DLC-20-630
11	250	16	5.0	0.5	Z98-DLC-11-250	20	800	26	8.0	1.0	Z98-DLC-20-800
12	80	18	7.0	0.8	Z98-DLC-12-80	22	250	28	8.0	1.0	Z98-DLC-22-250
12	100	18	7.0	0.8	Z98-DLC-12-100	22	400	28	8.0	1.0	Z98-DLC-22-400
12	125	18	7.0	0.8	Z98-DLC-12-125	25	160	32	10.0	1.0	Z98-DLC-25-160
12	160	18	7.0	0.8	Z98-DLC-12-160	25	200	32	10.0	1.0	Z98-DLC-25-200
12	200	18	7.0	0.8	Z98-DLC-12-200	25	250	32	10.0	1.0	Z98-DLC-25-250
12	250	18	7.0	0.8	Z98-DLC-12-250	25	315	32	10.0	1.0	Z98-DLC-25-315
12	315	18	7.0	0.8	Z98-DLC-12-315	25	400	32	10.0	1.0	Z98-DLC-25-400
12	400	18	7.0	0.8	Z98-DLC-12-400						