

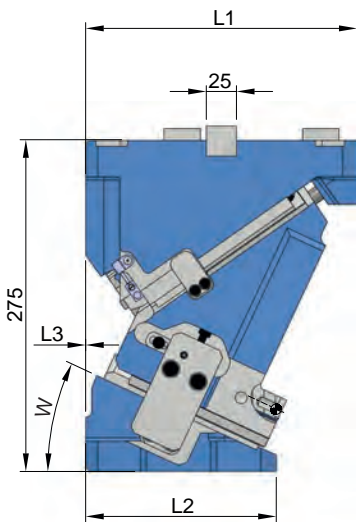


SN5650-PMOK-0125-

Oben hängender Kompakt-Normschieber

Compact aerial cam unit

Arbeitsfläche	Working area	125 x 130 mm
Schieberbreite max.	Cam unit width max.	125 mm
Einbauhöhe	Installation height	275 mm
Schieberkraft	Cam force	> 244 kN



Gusstoleranzgrad CT
nach DIN ISO 8062

(blau = Rohgussfläche)

Casting tolerance grade CT
according to DIN ISO 8062

(blue = raw casting area)

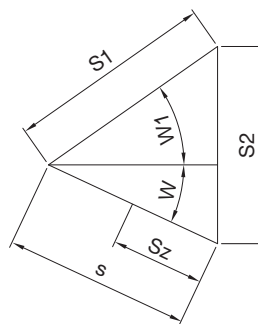
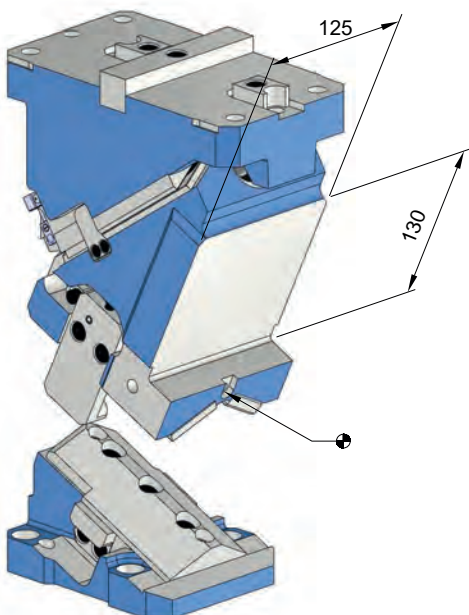
Positionskontrolle: Control of position:



Pos. 1
Schieber zusammengefahren
Cam is moved together



Pos. 2
Schieber ausgefahren
Cam is extended

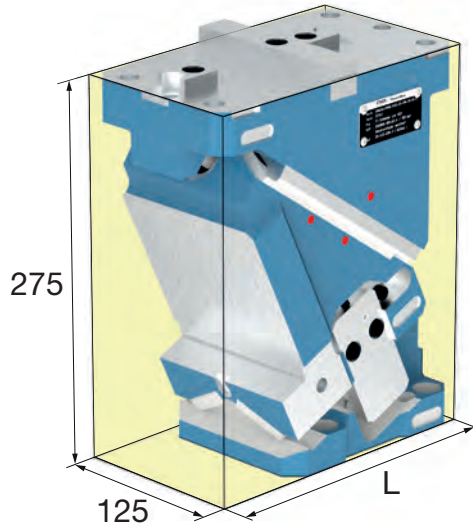


Sz = Eingriffslänge Aktivrückzug
Sz = Engagement length of activ return

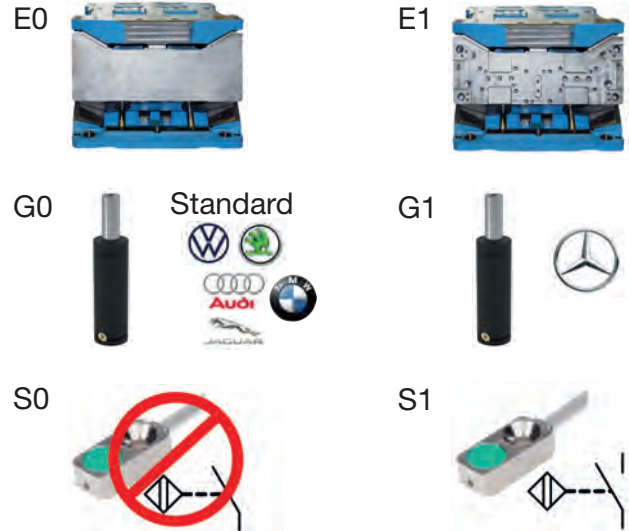
SN5650-PMOK-0125-

Oben hängender Kompakt-Normschieber

Compact aerial cam unit



Mat.: EN-GJS-600-3 (GGG 60)



W = Schieberwinkel
Cam Angle

E = Einarbeitung
Machining

G = Gasdruckfeder
Gas spring

SE = Sensor
Sensor

W	E	G	SE	L	W1	s	S1	S2	Sz	L1	L2	L3	No.
0°	E0	G0	S0	220	47	28.6	42	30.7	16	220	220	0	SN5650-PMOK-0125-00-E0-G0-S0-V04
0°	E0	G0	S1	220	47	28.6	42	30.7	16	220	220	0	SN5650-PMOK-0125-00-E0-G0-S1-V04
0°	E0	G1	S0	220	47	28.6	42	30.7	16	220	220	0	SN5650-PMOK-0125-00-E0-G1-S0-V04
0°	E0	G1	S1	220	47	28.6	42	30.7	16	220	220	0	SN5650-PMOK-0125-00-E0-G1-S1-V04
0°	E1	G0	S0	220	47	28.6	42	30.7	16	220	220	0	SN5650-PMOK-0125-00-E1-G0-S0-V04
0°	E1	G0	S1	220	47	28.6	42	30.7	16	220	220	0	SN5650-PMOK-0125-00-E1-G0-S1-V04
0°	E1	G1	S0	220	47	28.6	42	30.7	16	220	220	0	SN5650-PMOK-0125-00-E1-G1-S0-V04
0°	E1	G1	S1	220	47	28.6	42	30.7	16	220	220	0	SN5650-PMOK-0125-00-E1-G1-S1-V04
5°	E0	G0	S0	220	45	29.8	42	32.3	16	220	220	0	SN5650-PMOK-0125-05-E0-G0-S0-V04
5°	E0	G0	S1	220	45	29.8	42	32.3	16	220	220	0	SN5650-PMOK-0125-05-E0-G0-S1-V04
5°	E0	G1	S0	220	45	29.8	42	32.3	16	220	220	0	SN5650-PMOK-0125-05-E0-G1-S0-V04
5°	E0	G1	S1	220	45	29.8	42	32.3	16	220	220	0	SN5650-PMOK-0125-05-E0-G1-S1-V04
5°	E1	G0	S0	220	45	29.8	42	32.3	16	220	220	0	SN5650-PMOK-0125-05-E1-G0-S0-V04
5°	E1	G0	S1	220	45	29.8	42	32.3	16	220	220	0	SN5650-PMOK-0125-05-E1-G0-S1-V04
5°	E1	G1	S0	220	45	29.8	42	32.3	16	220	220	0	SN5650-PMOK-0125-05-E1-G1-S0-V04
5°	E1	G1	S1	220	45	29.8	42	32.3	16	220	220	0	SN5650-PMOK-0125-05-E1-G1-S1-V04
10°	E0	G0	S0	220	42	31.7	42	33.6	22	220	210	0	SN5650-PMOK-0125-10-E0-G0-S0-V04
10°	E0	G0	S1	220	42	31.7	42	33.6	22	220	210	0	SN5650-PMOK-0125-10-E0-G0-S1-V04
10°	E0	G1	S0	220	42	31.7	42	33.6	22	220	210	0	SN5650-PMOK-0125-10-E0-G1-S0-V04
10°	E0	G1	S1	220	42	31.7	42	33.6	22	220	210	0	SN5650-PMOK-0125-10-E0-G1-S1-V04
10°	E1	G0	S0	220	42	31.7	42	33.6	22	220	210	0	SN5650-PMOK-0125-10-E1-G0-S0-V04
10°	E1	G0	S1	220	42	31.7	42	33.6	22	220	210	0	SN5650-PMOK-0125-10-E1-G0-S1-V04
10°	E1	G1	S0	220	42	31.7	42	33.6	22	220	210	0	SN5650-PMOK-0125-10-E1-G1-S0-V04
10°	E1	G1	S1	220	42	31.7	42	33.6	22	220	210	0	SN5650-PMOK-0125-10-E1-G1-S1-V04
15°	E0	G0	S0	220	40	33.3	42	35.6	22	220	210	0	SN5650-PMOK-0125-15-E0-G0-S0-V04
15°	E0	G0	S1	220	40	33.3	42	35.6	22	220	210	0	SN5650-PMOK-0125-15-E0-G0-S1-V04
15°	E0	G1	S0	220	40	33.3	42	35.6	22	220	210	0	SN5650-PMOK-0125-15-E0-G1-S0-V04
15°	E0	G1	S1	220	40	33.3	42	35.6	22	220	210	0	SN5650-PMOK-0125-15-E0-G1-S1-V04
15°	E1	G0	S0	220	40	33.3	42	35.6	22	220	210	0	SN5650-PMOK-0125-15-E1-G0-S0-V04
15°	E1	G0	S1	220	40	33.3	42	35.6	22	220	210	0	SN5650-PMOK-0125-15-E1-G0-S1-V04
15°	E1	G1	S0	220	40	33.3	42	35.6	22	220	210	0	SN5650-PMOK-0125-15-E1-G1-S0-V04



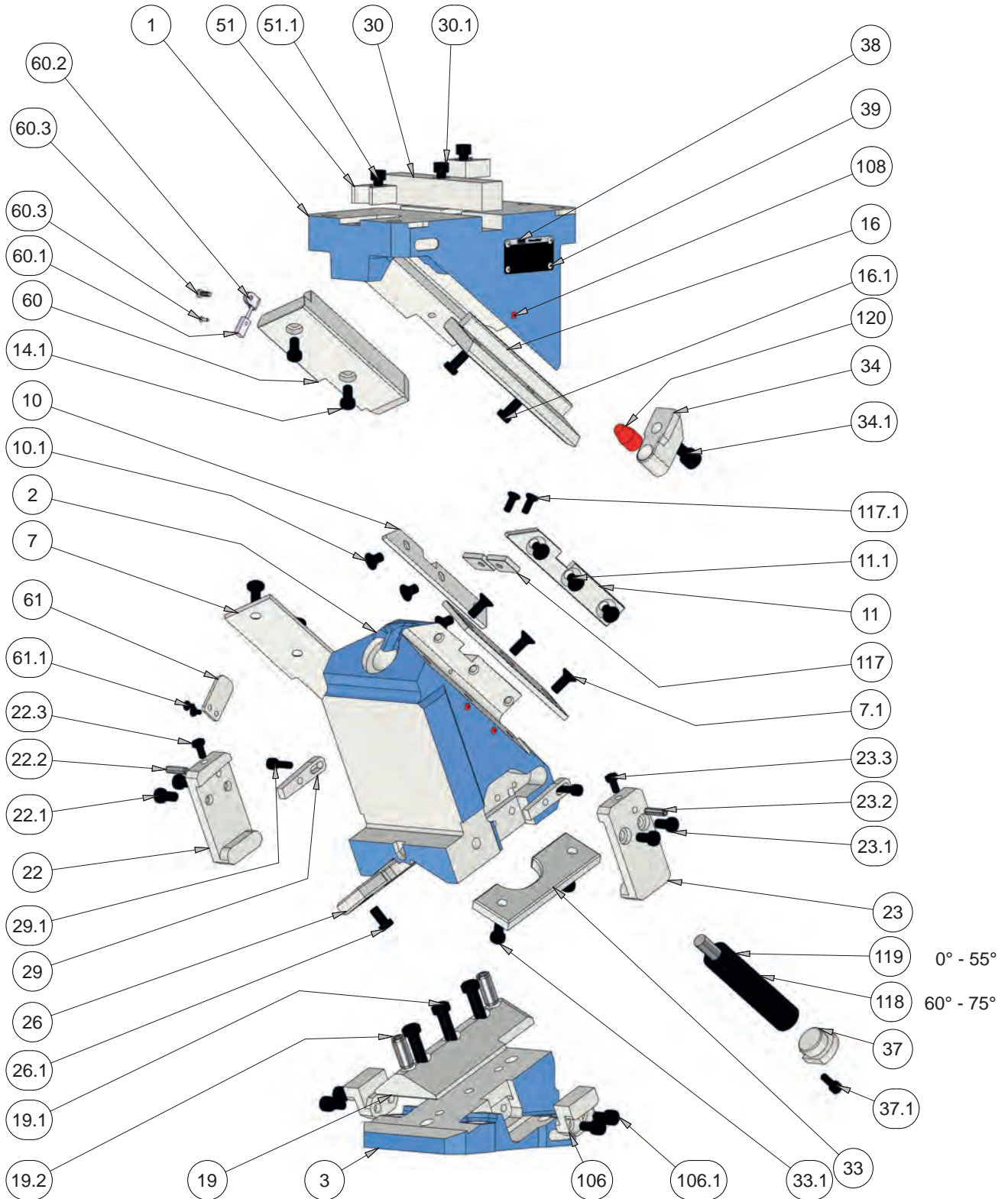
W	E	G	SE	L	W1	s	S1	S2	Sz	L1	L2	L3	No.
15°	E1	G1	S1	220	40	33.3	42	35.6	22	220	210	0	SN5650-PMOK-0125-15-E1-G1-S1-V04
20°	E0	G0	S0	225	37	35.7	42	37.5	23	225	158	0	SN5650-PMOK-0125-20-E0-G0-S0-V04
20°	E0	G0	S1	225	37	35.7	42	37.5	23	225	158	0	SN5650-PMOK-0125-20-E0-G0-S1-V04
20°	E0	G1	S0	225	37	35.7	42	37.5	23	225	158	0	SN5650-PMOK-0125-20-E0-G1-S0-V04
20°	E0	G1	S1	225	37	35.7	42	37.5	23	225	158	0	SN5650-PMOK-0125-20-E0-G1-S1-V04
20°	E1	G0	S0	225	37	35.7	42	37.5	23	225	158	0	SN5650-PMOK-0125-20-E1-G0-S0-V04
20°	E1	G0	S1	225	37	35.7	42	37.5	23	225	158	0	SN5650-PMOK-0125-20-E1-G0-S1-V04
20°	E1	G1	S0	225	37	35.7	42	37.5	23	225	158	0	SN5650-PMOK-0125-20-E1-G1-S0-V04
20°	E1	G1	S1	225	37	35.7	42	37.5	23	225	158	0	SN5650-PMOK-0125-20-E1-G1-S1-V04
25°	E0	G0	S0	225	35	38	42	40.1	23	225	158	0	SN5650-PMOK-0125-25-E0-G0-S0-V04
25°	E0	G0	S1	225	35	38	42	40.1	23	225	158	0	SN5650-PMOK-0125-25-E0-G0-S1-V04
25°	E0	G1	S0	225	35	38	42	40.1	23	225	158	0	SN5650-PMOK-0125-25-E0-G1-S0-V04
25°	E0	G1	S1	225	35	38	42	40.1	23	225	158	0	SN5650-PMOK-0125-25-E0-G1-S1-V04
25°	E1	G0	S0	225	35	38	42	40.1	23	225	158	0	SN5650-PMOK-0125-25-E1-G0-S0-V04
25°	E1	G0	S1	225	35	38	42	40.1	23	225	158	0	SN5650-PMOK-0125-25-E1-G0-S1-V04
25°	E1	G1	S0	225	35	38	42	40.1	23	225	158	0	SN5650-PMOK-0125-25-E1-G1-S0-V04
25°	E1	G1	S1	225	35	38	42	40.1	23	225	158	0	SN5650-PMOK-0125-25-E1-G1-S1-V04
30°	E0	G0	S0	225	32	41.1	42	42.8	29	225	140	0	SN5650-PMOK-0125-30-E0-G0-S0-V04
30°	E0	G0	S1	225	32	41.1	42	42.8	29	225	140	0	SN5650-PMOK-0125-30-E0-G0-S1-V04
30°	E0	G1	S0	225	32	41.1	42	42.8	29	225	140	0	SN5650-PMOK-0125-30-E0-G1-S0-V04
30°	E0	G1	S1	225	32	41.1	42	42.8	29	225	140	0	SN5650-PMOK-0125-30-E0-G1-S1-V04
30°	E1	G0	S0	225	32	41.1	42	42.8	29	225	140	0	SN5650-PMOK-0125-30-E1-G0-S0-V04
30°	E1	G0	S1	225	32	41.1	42	42.8	29	225	140	0	SN5650-PMOK-0125-30-E1-G0-S1-V04
30°	E1	G1	S0	225	32	41.1	42	42.8	29	225	140	0	SN5650-PMOK-0125-30-E1-G1-S0-V04
30°	E1	G1	S1	225	32	41.1	42	42.8	29	225	140	0	SN5650-PMOK-0125-30-E1-G1-S1-V04
35°	E0	G0	S0	225	30	44.4	42	46.5	32	225	140	0	SN5650-PMOK-0125-35-E0-G0-S0-V04
35°	E0	G0	S1	225	30	44.4	42	46.5	32	225	140	0	SN5650-PMOK-0125-35-E0-G0-S1-V04
35°	E0	G1	S0	225	30	44.4	42	46.5	32	225	140	0	SN5650-PMOK-0125-35-E0-G1-S0-V04
35°	E0	G1	S1	225	30	44.4	42	46.5	32	225	140	0	SN5650-PMOK-0125-35-E0-G1-S1-V04
35°	E1	G0	S0	225	30	44.4	42	46.5	32	225	140	0	SN5650-PMOK-0125-35-E1-G0-S0-V04
35°	E1	G0	S1	225	30	44.4	42	46.5	32	225	140	0	SN5650-PMOK-0125-35-E1-G0-S1-V04
35°	E1	G1	S0	225	30	44.4	42	46.5	32	225	140	0	SN5650-PMOK-0125-35-E1-G1-S0-V04
35°	E1	G1	S1	225	30	44.4	42	46.5	32	225	140	0	SN5650-PMOK-0125-35-E1-G1-S1-V04
40°	E0	G0	S0	230	27	43	37	44.5	32	230	120	0	SN5650-PMOK-0125-40-E0-G0-S0-V04
40°	E0	G0	S1	230	27	43	37	44.5	32	230	120	0	SN5650-PMOK-0125-40-E0-G0-S1-V04
40°	E0	G1	S0	230	27	43	37	44.5	32	230	120	0	SN5650-PMOK-0125-40-E0-G1-S0-V04
40°	E0	G1	S1	230	27	43	37	44.5	32	230	120	0	SN5650-PMOK-0125-40-E0-G1-S1-V04
40°	E1	G0	S0	230	27	43	37	44.5	32	230	120	0	SN5650-PMOK-0125-40-E1-G0-S0-V04
40°	E1	G0	S1	230	27	43	37	44.5	32	230	120	0	SN5650-PMOK-0125-40-E1-G0-S1-V04
40°	E1	G1	S0	230	27	43	37	44.5	32	230	120	0	SN5650-PMOK-0125-40-E1-G1-S0-V04
40°	E1	G1	S1	230	27	43	37	44.5	32	230	120	0	SN5650-PMOK-0125-40-E1-G1-S1-V04
45°	E0	G0	S0	230	25	47.4	37	49.2	32	230	120	0	SN5650-PMOK-0125-45-E0-G0-S0-V04
45°	E0	G0	S1	230	25	47.4	37	49.2	32	230	120	0	SN5650-PMOK-0125-45-E0-G0-S1-V04
45°	E0	G1	S0	230	25	47.4	37	49.2	32	230	120	0	SN5650-PMOK-0125-45-E0-G1-S0-V04
45°	E0	G1	S1	230	25	47.4	37	49.2	32	230	120	0	SN5650-PMOK-0125-45-E0-G1-S1-V04
45°	E1	G0	S0	230	25	47.4	37	49.2	32	230	120	0	SN5650-PMOK-0125-45-E1-G0-S0-V04
45°	E1	G0	S1	230	25	47.4	37	49.2	32	230	120	0	SN5650-PMOK-0125-45-E1-G0-S1-V04
45°	E1	G1	S0	230	25	47.4	37	49.2	32	230	120	0	SN5650-PMOK-0125-45-E1-G1-S0-V04
45°	E1	G1	S1	230	25	47.4	37	49.2	32	230	120	0	SN5650-PMOK-0125-45-E1-G1-S1-V04
50°	E0	G0	S0	230	22	53.4	37	54.7	37	225	110	5	SN5650-PMOK-0125-50-E0-G0-S0-V04
50°	E0	G0	S1	230	22	53.4	37	54.7	37	225	110	5	SN5650-PMOK-0125-50-E0-G0-S1-V04
50°	E0	G1	S0	230	22	53.4	37	54.7	37	225	110	5	SN5650-PMOK-0125-50-E0-G1-S0-V04
50°	E0	G1	S1	230	22	53.4	37	54.7	37	225	110	5	SN5650-PMOK-0125-50-E0-G1-S1-V04
50°	E1	G0	S0	230	22	53.4	37	54.7	37	225	110	5	SN5650-PMOK-0125-50-E1-G0-S0-V04
50°	E1	G0	S1	230	22	53.4	37	54.7	37	225	110	5	SN5650-PMOK-0125-50-E1-G0-S1-V04



W	E	G	SE	L	W1	s	S1	S2	Sz	L1	L2	L3	No.
50°	E1	G1	S0	230	22	53.4	37	54.7	37	225	110	5	SN5650-PMOK-0125-50-E1-G1-S0-V04
50°	E1	G1	S1	230	22	53.4	37	54.7	37	225	110	5	SN5650-PMOK-0125-50-E1-G1-S1-V04
55°	E0	G0	S0	230	20	60.6	37	62.3	37	225	110	5	SN5650-PMOK-0125-55-E0-G0-S0-V04
55°	E0	G0	S1	230	20	60.6	37	62.3	37	225	110	5	SN5650-PMOK-0125-55-E0-G0-S1-V04
55°	E0	G1	S0	230	20	60.6	37	62.3	37	225	110	5	SN5650-PMOK-0125-55-E0-G1-S0-V04
55°	E0	G1	S1	230	20	60.6	37	62.3	37	225	110	5	SN5650-PMOK-0125-55-E0-G1-S1-V04
55°	E1	G0	S0	230	20	60.6	37	62.3	37	225	110	5	SN5650-PMOK-0125-55-E1-G0-S0-V04
55°	E1	G0	S1	230	20	60.6	37	62.3	37	225	110	5	SN5650-PMOK-0125-55-E1-G0-S1-V04
55°	E1	G1	S0	230	20	60.6	37	62.3	37	225	110	5	SN5650-PMOK-0125-55-E1-G1-S0-V04
55°	E1	G1	S1	230	20	60.6	37	62.3	37	225	110	5	SN5650-PMOK-0125-55-E1-G1-S1-V04
60°	E0	G0	S0	250	17	42.1	22	42.9	32	250	105	5	SN5650-PMOK-0125-60-E0-G0-S0-V04
60°	E0	G0	S1	250	17	42.1	22	42.9	32	250	105	5	SN5650-PMOK-0125-60-E0-G0-S1-V04
60°	E0	G1	S0	250	17	42.1	22	42.9	32	250	105	5	SN5650-PMOK-0125-60-E0-G1-S0-V04
60°	E0	G1	S1	250	17	42.1	22	42.9	32	250	105	5	SN5650-PMOK-0125-60-E0-G1-S1-V04
60°	E1	G0	S0	250	17	42.1	22	42.9	32	250	105	5	SN5650-PMOK-0125-60-E1-G0-S0-V04
60°	E1	G0	S1	250	17	42.1	22	42.9	32	250	105	5	SN5650-PMOK-0125-60-E1-G0-S1-V04
60°	E1	G1	S0	250	17	42.1	22	42.9	32	250	105	5	SN5650-PMOK-0125-60-E1-G1-S0-V04
60°	E1	G1	S1	250	17	42.1	22	42.9	32	250	105	5	SN5650-PMOK-0125-60-E1-G1-S1-V04
65°	E0	G0	S0	250	15	50.3	22	51.3	32	250	105	5	SN5650-PMOK-0125-65-E0-G0-S0-V04
65°	E0	G0	S1	250	15	50.3	22	51.3	32	250	105	5	SN5650-PMOK-0125-65-E0-G0-S1-V04
65°	E0	G1	S0	250	15	50.3	22	51.3	32	250	105	5	SN5650-PMOK-0125-65-E0-G1-S0-V04
65°	E0	G1	S1	250	15	50.3	22	51.3	32	250	105	5	SN5650-PMOK-0125-65-E0-G1-S1-V04
65°	E1	G0	S0	250	15	50.3	22	51.3	32	250	105	5	SN5650-PMOK-0125-65-E1-G0-S0-V04
65°	E1	G0	S1	250	15	50.3	22	51.3	32	250	105	5	SN5650-PMOK-0125-65-E1-G0-S1-V04
65°	E1	G1	S0	250	15	50.3	22	51.3	32	250	105	5	SN5650-PMOK-0125-65-E1-G1-S0-V04
65°	E1	G1	S1	250	15	50.3	22	51.3	32	250	105	5	SN5650-PMOK-0125-65-E1-G1-S1-V04
70°	E0	G0	S0	240	17	34.3	12	34.7	32	240	92	0	SN5650-PMOK-0125-70-E0-G0-S0-V04
70°	E0	G0	S1	240	17	34.3	12	34.7	32	240	92	0	SN5650-PMOK-0125-70-E0-G0-S1-V04
70°	E0	G1	S0	240	17	34.3	12	34.7	32	240	92	0	SN5650-PMOK-0125-70-E0-G1-S0-V04
70°	E0	G1	S1	240	17	34.3	12	34.7	32	240	92	0	SN5650-PMOK-0125-70-E0-G1-S1-V04
70°	E1	G0	S0	240	17	34.3	12	34.7	32	240	92	0	SN5650-PMOK-0125-70-E1-G0-S0-V04
70°	E1	G0	S1	240	17	34.3	12	34.7	32	240	92	0	SN5650-PMOK-0125-70-E1-G0-S1-V04
70°	E1	G1	S0	240	17	34.3	12	34.7	32	240	92	0	SN5650-PMOK-0125-70-E1-G1-S0-V04
70°	E1	G1	S1	240	17	34.3	12	34.7	32	240	92	0	SN5650-PMOK-0125-70-E1-G1-S1-V04
75°	E0	G0	S0	240	15	45.7	12	46.2	32	240	85	0	SN5650-PMOK-0125-75-E0-G0-S0-V04
75°	E0	G0	S1	240	15	45.7	12	46.2	32	240	85	0	SN5650-PMOK-0125-75-E0-G0-S1-V04
75°	E0	G1	S0	240	15	45.7	12	46.2	32	240	85	0	SN5650-PMOK-0125-75-E0-G1-S0-V04
75°	E0	G1	S1	240	15	45.7	12	46.2	32	240	85	0	SN5650-PMOK-0125-75-E0-G1-S1-V04
75°	E1	G0	S0	240	15	45.7	12	46.2	32	240	85	0	SN5650-PMOK-0125-75-E1-G0-S0-V04
75°	E1	G0	S1	240	15	45.7	12	46.2	32	240	85	0	SN5650-PMOK-0125-75-E1-G0-S1-V04
75°	E1	G1	S0	240	15	45.7	12	46.2	32	240	85	0	SN5650-PMOK-0125-75-E1-G1-S0-V04
75°	E1	G1	S1	240	15	45.7	12	46.2	32	240	85	0	SN5650-PMOK-0125-75-E1-G1-S1-V04

SN5650-PMOK-0125-

Bauteile Components



Ersatzteilstückliste je Schieber unter www.strack.de

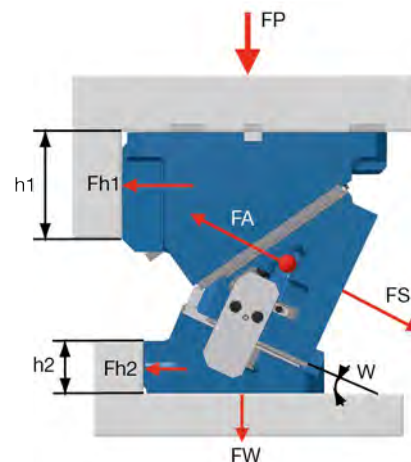
Sparepart lists under www.strack.de

SN5650-PMOK-0125-

Kraftverteilung

Force Distribution

W	FS [kN]	FP [kN]	Fh1 [kN]	FW [kN]	Fh2 [kN]	h1 [mm]	h2 [mm]	FA [kN]
00°	244	230	244	230	0	140	35	14
05°	249	236	229	214	17	130	45	17
10°	253	241	214	197	35	120	55	20
15°	256	245	199	178	46	108	53	23
20°	258	230	184	160	58	95	50	26
25°	265	255	173	143	66	85	53	25
30°	272	263	162	127	73	75	55	24
35°	283	274	153	112	77	78	63	25
40°	294	286	144	97	81	80	70	26
45°	299	292	131	81	79	75	73	26
50°	304	297	119	65	77	70	75	25
55°	303	297	104	50	69	68	78	27
60°	301	296	89	35	61	65	80	21
65°	285	281	72	24	49	58	83	29
70°	268	265	55	13	37	50	85	30
75°	291	288	50	7	26	50	85	29



W = Schieberwinkel
FP = P-Presse
FW = W-Werkzeug
FS = S-Schieberkraft
FA = A-Abstreifkraft
Fh1 = h1-Abschulterung oben
Fh2 = h2-Abschulterung unten

W = Cam Angle
FP = P-Press
FW = W-Tool
FS = S-Cam Force
FA = A-Retractility
Fh1 = h1-Shouldering above
Fh2 = h2-Shouldering below

SN5650-PMOK-0125-

Schieberkräfte

Cam Force

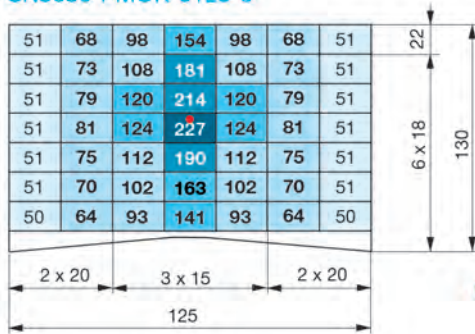
Abschulterung

Shouldering

Passfeder

Fitting Key

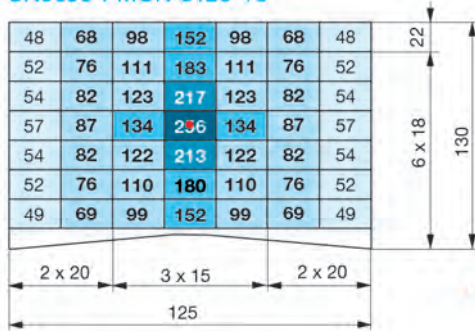
SN5650-PMOK-0125-0°



● F max. = 244 kN

44	50	57	57	57	50	44
44	50	57	65	57	50	44
44	50	57	65	57	50	44
44	50	57	65	57	50	44
44	50	57	65	57	50	44
44	50	57	65	57	50	44
44	50	57	65	57	50	44

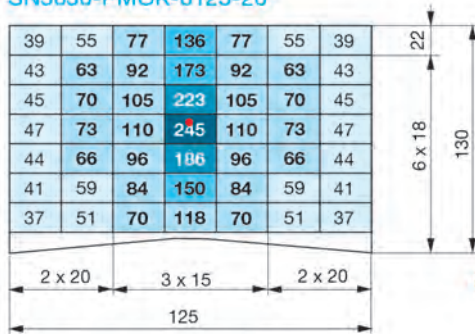
SN5650-PMOK-0125-10°



● F max. = 253 kN

46	58	67	67	67	58	46
46	58	67	77	67	58	46
46	58	67	77	67	58	46
46	58	67	77	67	58	46
46	58	67	77	67	58	46
46	58	67	77	67	58	46
46	58	67	77	67	58	46

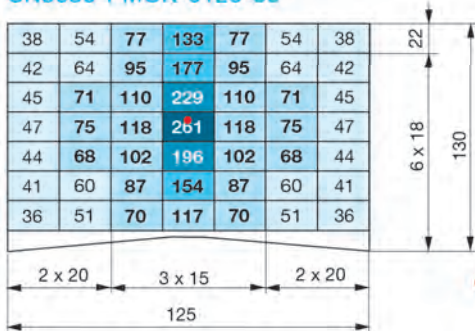
SN5650-PMOK-0125-20°



● F max. = 258 kN

39	55	75	75	75	55	39
43	61	75	91	75	61	43
45	61	75	91	75	61	45
46	61	75	91	75	61	46
44	61	75	91	75	61	44
41	59	75	91	75	59	41
37	51	70	91	70	51	37

SN5650-PMOK-0125-30°



● F max. = 272 kN

38	54	77	77	77	54	38
42	64	87	110	87	64	42
45	68	87	110	87	68	45
47	68	87	110	87	68	47
44	68	87	110	87	68	44
41	60	87	110	87	60	41
36	51	70	110	70	51	36

SN5650-PMOK-0125-

Schieberkräfte

Cam Force

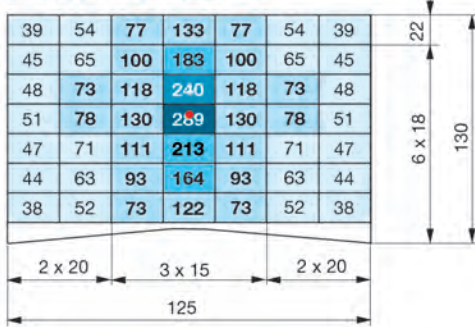
Abschulterung

Shouldering

Passfeder

Fitting Key

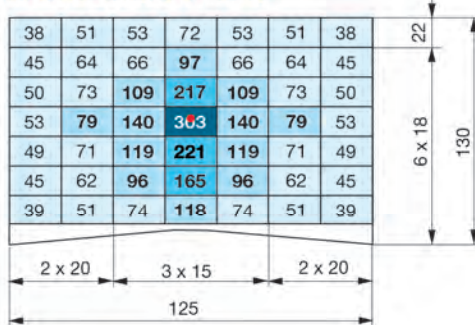
SN5650-PMOK-0125-40°



● F max. = 294 kN

39	54	77	77	77	54	39
45	65	100	134	100	65	45
48	73	112	134	112	73	48
51	78	112	134	112	78	51
47	71	111	134	111	71	47
44	63	93	134	93	63	44
38	52	73	122	73	52	38

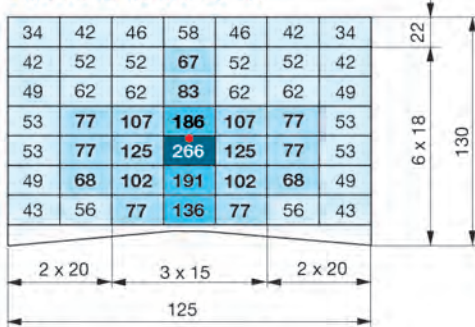
SN5650-PMOK-0125-50°



● F max. = 304 kN

38	51	53	53	53	51	38
45	64	66	97	66	64	45
50	73	109	169	109	73	50
53	79	139	169	139	79	53
49	71	119	169	119	71	49
45	62	96	165	96	62	45
39	51	74	118	74	51	39

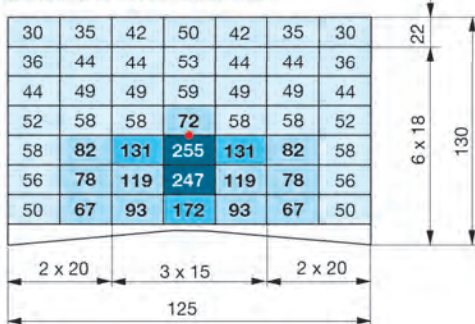
SN5650-PMOK-0125-60°



● F max. = 301 kN

34	42	46	46	46	42	34
42	52	52	67	52	52	42
49	62	62	83	62	62	49
53	77	107	186	107	77	53
53	77	125	222	125	77	53
49	68	102	191	102	68	49
43	56	77	136	77	56	43

SN5650-PMOK-0125-70°



● F max. = 268 kN

30	35	42	42	42	35	30
36	44	44	53	44	44	36
44	49	49	59	49	49	44
52	58	58	72	58	58	52
58	82	131	255	131	82	58
56	78	119	247	119	78	56
50	67	93	172	93	67	50