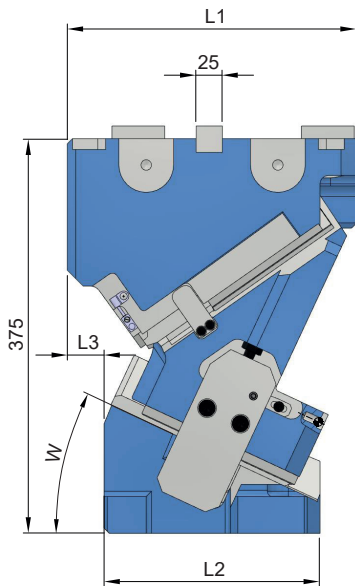


SN5650-PMOK-0460-

Oben hängender Kompakt-Normschieber

Compact aerial cam unit

Arbeitsfläche	<i>Working area</i>	460 x 150 mm
Schieberbreite max.	<i>Cam unit width max.</i>	460 mm
Einbauhöhe	<i>Installation height</i>	375 mm
Schieberkraft	<i>Cam force</i>	> 1301 kN



Gusstoleranzgrad CT
nach DIN ISO 8062

(blau = Rohgussfläche)

Casting tolerance grade CT
according to DIN ISO 8062

(blue = raw casting area)

Positionskontrolle:
Control of position:



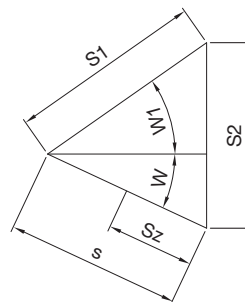
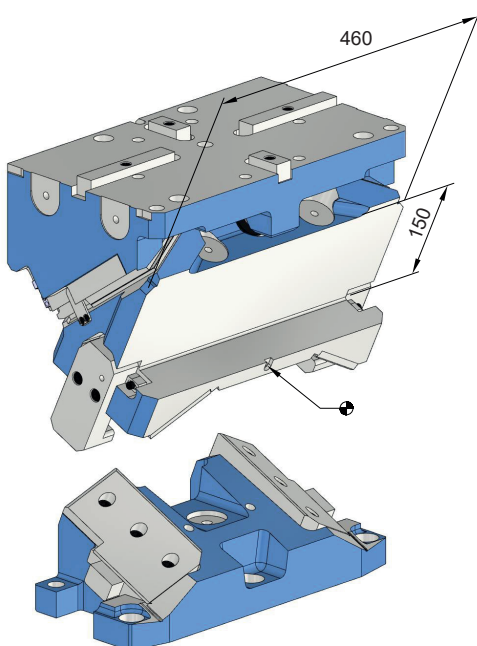
Pos. 1

Schieber zusammengefahren
Cam is moved together



Pos. 2

Schieber ausgefahren
Cam is extended

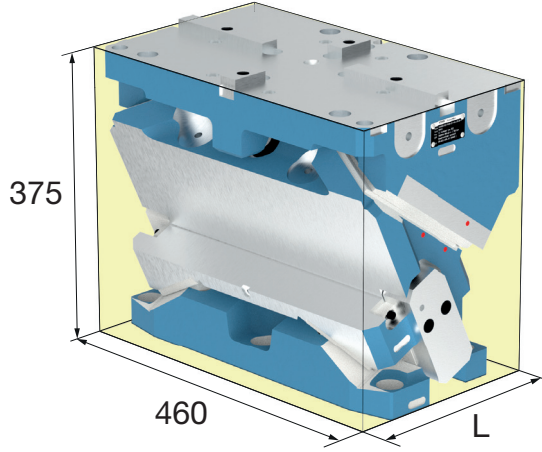


Sz = Eingriffslänge Aktivrückzug

Sz = Engagement length of activ return

SN5650-PMOK-0460-

Oben hängender Kompakt-Normschieber



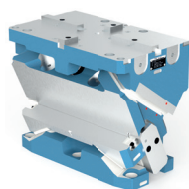
Mat.: EN-GJS-600-3 (GGG 60)



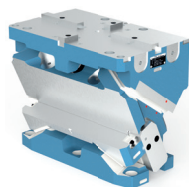
W = Schieberwinkel
Cam Angle
E = Einarbeitung
Machining

G = Gasdruckfeder
Gas spring
SE = Sensor
Sensor

W	E	G	SE	L	W1	s	S1	S2	Sz	L1	L2	L3	No.
0°	E0	G0	S0	285	47	35.5	52	38	20.4	285	240	35	SN5650-PMOK-0460-00-E0-G0-S0-V04
0°	E0	G0	S1	285	47	35.5	52	38	20.4	285	240	35	SN5650-PMOK-0460-00-E0-G0-S1-V04
0°	E0	G1	S0	285	47	35.5	52	38	20.4	285	240	35	SN5650-PMOK-0460-00-E0-G1-S0-V04
0°	E0	G1	S1	285	47	35.5	52	38	20.4	285	240	35	SN5650-PMOK-0460-00-E0-G1-S1-V04
0°	E1	G0	S0	285	47	35.5	52	38	20.4	285	240	35	SN5650-PMOK-0460-00-E1-G0-S0-V04
0°	E1	G0	S1	285	47	35.5	52	38	20.4	285	240	35	SN5650-PMOK-0460-00-E1-G0-S1-V04
0°	E1	G1	S0	285	47	35.5	52	38	20.4	285	240	35	SN5650-PMOK-0460-00-E1-G1-S0-V04
0°	E1	G1	S1	285	47	35.5	52	38	20.4	285	240	35	SN5650-PMOK-0460-00-E1-G1-S1-V04
5°	E0	G0	S0	285	45	36.9	52	40	20.4	285	240	35	SN5650-PMOK-0460-05-E0-G0-S0-V04
5°	E0	G0	S1	285	45	36.9	52	40	20.4	285	240	35	SN5650-PMOK-0460-05-E0-G0-S1-V04
5°	E0	G1	S0	285	45	36.9	52	40	20.4	285	240	35	SN5650-PMOK-0460-05-E0-G1-S0-V04
5°	E0	G1	S1	285	45	36.9	52	40	20.4	285	240	35	SN5650-PMOK-0460-05-E0-G1-S1-V04
5°	E1	G0	S0	285	45	36.9	52	40	20.4	285	240	35	SN5650-PMOK-0460-05-E1-G0-S0-V04
5°	E1	G0	S1	285	45	36.9	52	40	20.4	285	240	35	SN5650-PMOK-0460-05-E1-G0-S1-V04
5°	E1	G1	S0	285	45	36.9	52	40	20.4	285	240	35	SN5650-PMOK-0460-05-E1-G1-S0-V04
5°	E1	G1	S1	285	45	36.9	52	40	20.4	285	240	35	SN5650-PMOK-0460-05-E1-G1-S1-V04
10°	E0	G0	S0	285	42	39.2	52	41.6	21.4	285	220	45	SN5650-PMOK-0460-10-E0-G0-S0-V04
10°	E0	G0	S1	285	42	39.2	52	41.6	21.4	285	220	45	SN5650-PMOK-0460-10-E0-G0-S1-V04
10°	E0	G1	S0	285	42	39.2	52	41.6	21.4	285	220	45	SN5650-PMOK-0460-10-E0-G1-S0-V04
10°	E0	G1	S1	285	42	39.2	52	41.6	21.4	285	220	45	SN5650-PMOK-0460-10-E0-G1-S1-V04
10°	E1	G0	S0	285	42	39.2	52	41.6	21.4	285	220	45	SN5650-PMOK-0460-10-E1-G0-S0-V04
10°	E1	G0	S1	285	42	39.2	52	41.6	21.4	285	220	45	SN5650-PMOK-0460-10-E1-G0-S1-V04
10°	E1	G1	S0	285	42	39.2	52	41.6	21.4	285	220	45	SN5650-PMOK-0460-10-E1-G1-S0-V04
10°	E1	G1	S1	285	42	39.2	52	41.6	21.4	285	220	45	SN5650-PMOK-0460-10-E1-G1-S1-V04
15°	E0	G0	S0	285	40	41.2	52	44.1	21.4	285	220	45	SN5650-PMOK-0460-15-E0-G0-S0-V04
15°	E0	G0	S1	285	40	41.2	52	44.1	21.4	285	220	45	SN5650-PMOK-0460-15-E0-G0-S1-V04
15°	E0	G1	S0	285	40	41.2	52	44.1	21.4	285	220	45	SN5650-PMOK-0460-15-E0-G1-S0-V04
15°	E0	G1	S1	285	40	41.2	52	44.1	21.4	285	220	45	SN5650-PMOK-0460-15-E0-G1-S1-V04
15°	E1	G0	S0	285	40	41.2	52	44.1	21.4	285	220	45	SN5650-PMOK-0460-15-E1-G0-S0-V04
15°	E1	G0	S1	285	40	41.2	52	44.1	21.4	285	220	45	SN5650-PMOK-0460-15-E1-G0-S1-V04
15°	E1	G1	S0	285	40	41.2	52	44.1	21.4	285	220	45	SN5650-PMOK-0460-15-E1-G1-S0-V04
15°	E1	G1	S1	285	40	41.2	52	44.1	21.4	285	220	45	SN5650-PMOK-0460-15-E1-G1-S1-V04
20°	E0	G0	S0	275	37	44.2	52	46.4	26.4	275	205	35	SN5650-PMOK-0460-20-E0-G0-S0-V04
20°	E0	G0	S1	275	37	44.2	52	46.4	26.4	275	205	35	SN5650-PMOK-0460-20-E0-G0-S1-V04



W	E	G	SE	L	W1	s	S1	S2	Sz	L1	L2	L3	No.
20°	E0	G1	S0	275	37	44.2	52	46.4	26.4	275	205	35	SN5650-PMOK-0460-20-E0-G1-S0-V04
20°	E0	G1	S1	275	37	44.2	52	46.4	26.4	275	205	35	SN5650-PMOK-0460-20-E0-G1-S1-V04
20°	E1	G0	S0	275	37	44.2	52	46.4	26.4	275	205	35	SN5650-PMOK-0460-20-E1-G0-S0-V04
20°	E1	G0	S1	275	37	44.2	52	46.4	26.4	275	205	35	SN5650-PMOK-0460-20-E1-G0-S1-V04
20°	E1	G1	S0	275	37	44.2	52	46.4	26.4	275	205	35	SN5650-PMOK-0460-20-E1-G1-S0-V04
20°	E1	G1	S1	275	37	44.2	52	46.4	26.4	275	205	35	SN5650-PMOK-0460-20-E1-G1-S1-V04
25°	E0	G0	S0	275	35	47	52	49.7	26.4	275	205	35	SN5650-PMOK-0460-25-E0-G0-S0-V04
25°	E0	G0	S1	275	35	47	52	49.7	26.4	275	205	35	SN5650-PMOK-0460-25-E0-G0-S1-V04
25°	E0	G1	S0	275	35	47	52	49.7	26.4	275	205	35	SN5650-PMOK-0460-25-E0-G1-S0-V04
25°	E0	G1	S1	275	35	47	52	49.7	26.4	275	205	35	SN5650-PMOK-0460-25-E0-G1-S1-V04
25°	E1	G0	S0	275	35	47	52	49.7	26.4	275	205	35	SN5650-PMOK-0460-25-E1-G0-S0-V04
25°	E1	G0	S1	275	35	47	52	49.7	26.4	275	205	35	SN5650-PMOK-0460-25-E1-G0-S1-V04
25°	E1	G1	S0	275	35	47	52	49.7	26.4	275	205	35	SN5650-PMOK-0460-25-E1-G1-S0-V04
25°	E1	G1	S1	275	35	47	52	49.7	26.4	275	205	35	SN5650-PMOK-0460-25-E1-G1-S1-V04
30°	E0	G0	S0	285	32	50.9	52	53	36.4	285	190	25	SN5650-PMOK-0460-30-E0-G0-S0-V04
30°	E0	G0	S1	285	32	50.9	52	53	36.4	285	190	25	SN5650-PMOK-0460-30-E0-G0-S1-V04
30°	E0	G1	S0	285	32	50.9	52	53	36.4	285	190	25	SN5650-PMOK-0460-30-E0-G1-S0-V04
30°	E0	G1	S1	285	32	50.9	52	53	36.4	285	190	25	SN5650-PMOK-0460-30-E0-G1-S1-V04
30°	E1	G0	S0	285	32	50.9	52	53	36.4	285	190	25	SN5650-PMOK-0460-30-E1-G0-S0-V04
30°	E1	G0	S1	285	32	50.9	52	53	36.4	285	190	25	SN5650-PMOK-0460-30-E1-G0-S1-V04
30°	E1	G1	S0	285	32	50.9	52	53	36.4	285	190	25	SN5650-PMOK-0460-30-E1-G1-S0-V04
30°	E1	G1	S1	285	32	50.9	52	53	36.4	285	190	25	SN5650-PMOK-0460-30-E1-G1-S1-V04
35°	E0	G0	S0	285	30	49.7	47	52	36.4	285	190	25	SN5650-PMOK-0460-35-E0-G0-S0-V04
35°	E0	G0	S1	285	30	49.7	47	52	36.4	285	190	25	SN5650-PMOK-0460-35-E0-G0-S1-V04
35°	E0	G1	S0	285	30	49.7	47	52	36.4	285	190	25	SN5650-PMOK-0460-35-E0-G1-S0-V04
35°	E0	G1	S1	285	30	49.7	47	52	36.4	285	190	25	SN5650-PMOK-0460-35-E0-G1-S1-V04
35°	E1	G0	S0	285	30	49.7	47	52	36.4	285	190	25	SN5650-PMOK-0460-35-E1-G0-S0-V04
35°	E1	G0	S1	285	30	49.7	47	52	36.4	285	190	25	SN5650-PMOK-0460-35-E1-G0-S1-V04
35°	E1	G1	S0	285	30	49.7	47	52	36.4	285	190	25	SN5650-PMOK-0460-35-E1-G1-S0-V04
35°	E1	G1	S1	285	30	49.7	47	52	36.4	285	190	25	SN5650-PMOK-0460-35-E1-G1-S1-V04
40°	E0	G0	S0	290	27	54.7	47	56.5	41.4	290	185	0	SN5650-PMOK-0460-40-E0-G0-S0-V04
40°	E0	G0	S1	290	27	54.7	47	56.5	41.4	290	185	0	SN5650-PMOK-0460-40-E0-G0-S1-V04
40°	E0	G1	S0	290	27	54.7	47	56.5	41.4	290	185	0	SN5650-PMOK-0460-40-E0-G1-S0-V04
40°	E0	G1	S1	290	27	54.7	47	56.5	41.4	290	185	0	SN5650-PMOK-0460-40-E0-G1-S1-V04
40°	E1	G0	S0	290	27	54.7	47	56.5	41.4	290	185	0	SN5650-PMOK-0460-40-E1-G0-S0-V04
40°	E1	G0	S1	290	27	54.7	47	56.5	41.4	290	185	0	SN5650-PMOK-0460-40-E1-G0-S1-V04
40°	E1	G1	S0	290	27	54.7	47	56.5	41.4	290	185	0	SN5650-PMOK-0460-40-E1-G1-S0-V04
40°	E1	G1	S1	290	27	54.7	47	56.5	41.4	290	185	0	SN5650-PMOK-0460-40-E1-G1-S1-V04
45°	E0	G0	S0	290	25	60.2	47	62.5	41.4	290	185	0	SN5650-PMOK-0460-45-E0-G0-S0-V04
45°	E0	G0	S1	290	25	60.2	47	62.5	41.4	290	185	0	SN5650-PMOK-0460-45-E0-G0-S1-V04
45°	E0	G1	S0	290	25	60.2	47	62.5	41.4	290	185	0	SN5650-PMOK-0460-45-E0-G1-S0-V04
45°	E0	G1	S1	290	25	60.2	47	62.5	41.4	290	185	0	SN5650-PMOK-0460-45-E0-G1-S1-V04
45°	E1	G0	S0	290	25	60.2	47	62.5	41.4	290	185	0	SN5650-PMOK-0460-45-E1-G0-S0-V04
45°	E1	G0	S1	290	25	60.2	47	62.5	41.4	290	185	0	SN5650-PMOK-0460-45-E1-G0-S1-V04
45°	E1	G1	S0	290	25	60.2	47	62.5	41.4	290	185	0	SN5650-PMOK-0460-45-E1-G1-S0-V04
45°	E1	G1	S1	290	25	60.2	47	62.5	41.4	290	185	0	SN5650-PMOK-0460-45-E1-G1-S1-V04
50°	E0	G0	S0	295	22	67.8	47	69.5	46.4	290	165	5	SN5650-PMOK-0460-50-E0-G0-S0-V04
50°	E0	G0	S1	295	22	67.8	47	69.5	46.4	290	165	5	SN5650-PMOK-0460-50-E0-G0-S1-V04
50°	E0	G1	S0	295	22	67.8	47	69.5	46.4	290	165	5	SN5650-PMOK-0460-50-E0-G1-S0-V04
50°	E0	G1	S1	295	22	67.8	47	69.5	46.4	290	165	5	SN5650-PMOK-0460-50-E0-G1-S1-V04
50°	E1	G0	S0	295	22	67.8	47	69.5	46.4	290	165	5	SN5650-PMOK-0460-50-E1-G0-S0-V04
50°	E1	G0	S1	295	22	67.8	47	69.5	46.4	290	165	5	SN5650-PMOK-0460-50-E1-G0-S1-V04
50°	E1	G1	S0	295	22	67.8	47	69.5	46.4	290	165	5	SN5650-PMOK-0460-50-E1-G1-S0-V04
50°	E1	G1	S1	295	22	67.8	47	69.5	46.4	290	165	5	SN5650-PMOK-0460-50-E1-G1-S1-V04
55°	E0	G0	S0	295	20	68.8	42	70.7	46.4	290	165	5	SN5650-PMOK-0460-55-E0-G0-S0-V04

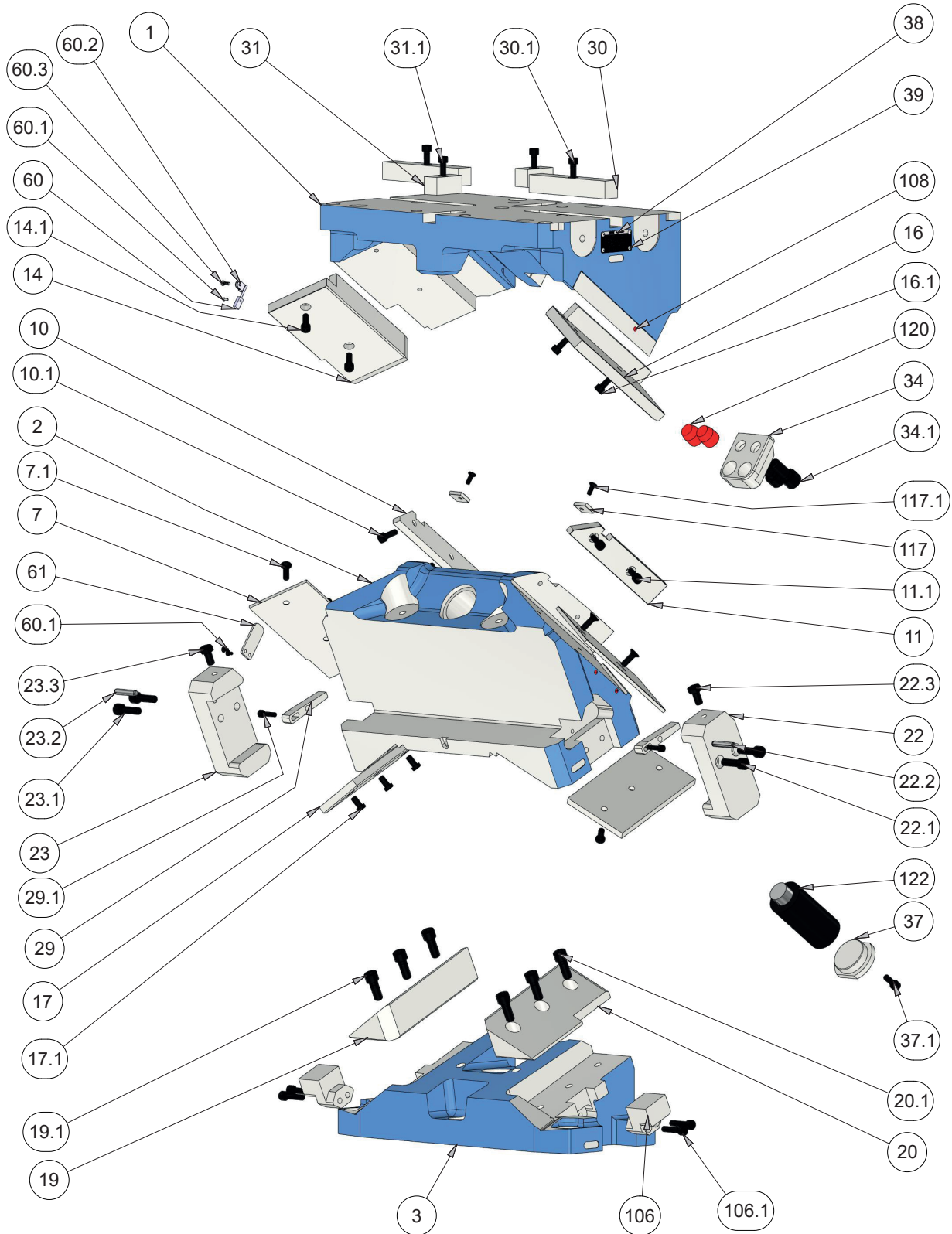


W	E	G	SE	L	W1	s	S1	S2	Sz	L1	L2	L3	No.
55°	E0	G0	S1	295	20	68.8	42	70.7	46.4	290	165	5	SN5650-PMOK-0460-55-E0-G0-S1-V04
55°	E0	G1	S0	295	20	68.8	42	70.7	46.4	290	165	5	SN5650-PMOK-0460-55-E0-G1-S0-V04
55°	E0	G1	S1	295	20	68.8	42	70.7	46.4	290	165	5	SN5650-PMOK-0460-55-E0-G1-S1-V04
55°	E1	G0	S0	295	20	68.8	42	70.7	46.4	290	165	5	SN5650-PMOK-0460-55-E1-G0-S0-V04
55°	E1	G0	S1	295	20	68.8	42	70.7	46.4	290	165	5	SN5650-PMOK-0460-55-E1-G0-S1-V04
55°	E1	G1	S0	295	20	68.8	42	70.7	46.4	290	165	5	SN5650-PMOK-0460-55-E1-G1-S0-V04
55°	E1	G1	S1	295	20	68.8	42	70.7	46.4	290	165	5	SN5650-PMOK-0460-55-E1-G1-S1-V04
60°	E0	G0	S0	300	17	70.8	37	72.1	46.4	300	155	20	SN5650-PMOK-0460-60-E0-G0-S0-V04
60°	E0	G0	S1	300	17	70.8	37	72.1	46.4	300	155	20	SN5650-PMOK-0460-60-E0-G0-S1-V04
60°	E0	G1	S0	300	17	70.8	37	72.1	46.4	300	155	20	SN5650-PMOK-0460-60-E0-G1-S0-V04
60°	E0	G1	S1	300	17	70.8	37	72.1	46.4	300	155	20	SN5650-PMOK-0460-60-E0-G1-S1-V04
60°	E1	G0	S0	300	17	70.8	37	72.1	46.4	300	155	20	SN5650-PMOK-0460-60-E1-G0-S0-V04
60°	E1	G0	S1	300	17	70.8	37	72.1	46.4	300	155	20	SN5650-PMOK-0460-60-E1-G0-S1-V04
60°	E1	G1	S0	300	17	70.8	37	72.1	46.4	300	155	20	SN5650-PMOK-0460-60-E1-G1-S0-V04
60°	E1	G1	S1	300	17	70.8	37	72.1	46.4	300	155	20	SN5650-PMOK-0460-60-E1-G1-S1-V04
65°	E0	G0	S0	300	15	73.1	32	74.6	46.4	300	155	20	SN5650-PMOK-0460-65-E0-G0-S0-V04
65°	E0	G0	S1	300	15	73.1	32	74.6	46.4	300	155	20	SN5650-PMOK-0460-65-E0-G0-S1-V04
65°	E0	G1	S0	300	15	73.1	32	74.6	46.4	300	155	20	SN5650-PMOK-0460-65-E0-G1-S0-V04
65°	E0	G1	S1	300	15	73.1	32	74.6	46.4	300	155	20	SN5650-PMOK-0460-65-E0-G1-S1-V04
65°	E1	G0	S0	300	15	73.1	32	74.6	46.4	300	155	20	SN5650-PMOK-0460-65-E1-G0-S0-V04
65°	E1	G0	S1	300	15	73.1	32	74.6	46.4	300	155	20	SN5650-PMOK-0460-65-E1-G0-S1-V04
65°	E1	G1	S0	300	15	73.1	32	74.6	46.4	300	155	20	SN5650-PMOK-0460-65-E1-G1-S0-V04
65°	E1	G1	S1	300	15	73.1	32	74.6	46.4	300	155	20	SN5650-PMOK-0460-65-E1-G1-S1-V04

SN5650-PMOK-0460-

Bauteile

Components



Ersatzteilstückliste je Schieber unter www.strack.de

Sparepart lists under www.strack.de

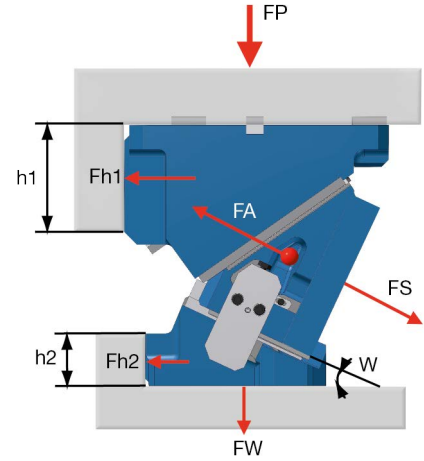
D 1801D 06.2022

SN5650-PMOK-0460-

Kraftverteilung

Force Distribution

W	FS [kN]	FP [kN]	Fh1 [kN]	FW [kN]	Fh2 [kN]	h1 [mm]	h2 [mm]	FA [kN]
00°	1301	1226	1301	1226	0	150	50	66
05°	1363	1270	1257	1151	101	150	50	73
10°	1365	1299	1157	1062	187	140	80	85
15°	1419	1338	1111	971	260	140	80	95
20°	1453	1394	1039	897	326	125	100	99
25°	1501	1429	990	795	371	125	100	99
30°	1531	1480	914	714	412	130	120	99
35°	1572	1510	861	609	426	130	120	99
40°	1597	1553	781	527	442	140	140	92
45°	1631	1580	727	427	427	140	140	92
50°	1651	1616	643	351	418	140	170	78
55°	1677	1637	586	263	376	140	170	77
60°	1692	1665	500	200	346	150	190	70
65°	1711	1682	441	131	282	150	190	68



W = Schieberwinkel
FP = P-Press
FW = W-Werkzeug
FS = S-Schieberkraft
FA = A-Abstreifkraft
Fh1 = h1-Abschulterung oben
Fh2 = h2-Abschulterung unten

W = Cam Angle
FP = P-Press
FW = W-Tool
FS = S-Cam Force
FA = A-Retractility
Fh1 = h1-Shouldering above
Fh2 = h2-Shouldering below

SN5650-PMOK-0460-

Schieberkräfte

Cam Force

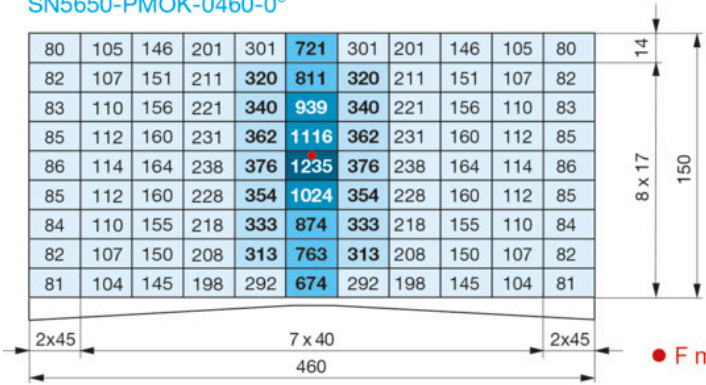
Abschulterung

Shouldering

Passfeder

Fitting Key

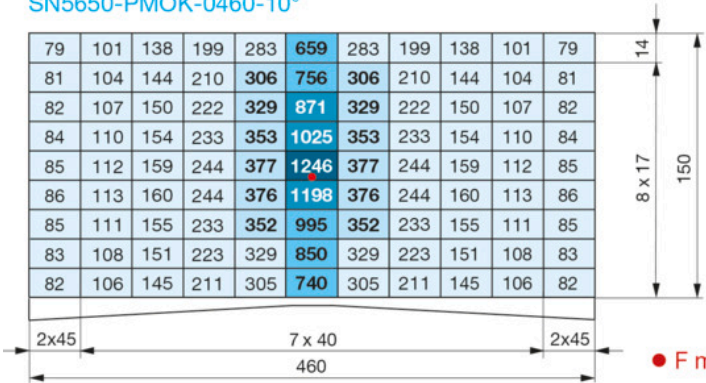
SN5650-PMOK-0460-0°



● F max. = 1301 kN

69	80	95	110	129	156	129	110	95	80	69
69	80	95	110	129	156	129	110	95	80	69
69	80	95	110	129	156	129	110	95	80	69
69	80	95	110	129	156	129	110	95	80	69
69	80	95	110	129	156	129	110	95	80	69
69	80	95	110	129	156	129	110	95	80	69
69	80	95	110	129	156	129	110	95	80	69
69	80	95	110	129	156	129	110	95	80	69
69	80	95	110	129	156	129	110	95	80	69
69	80	95	110	129	156	129	110	95	80	69
69	80	95	110	129	156	129	110	95	80	69

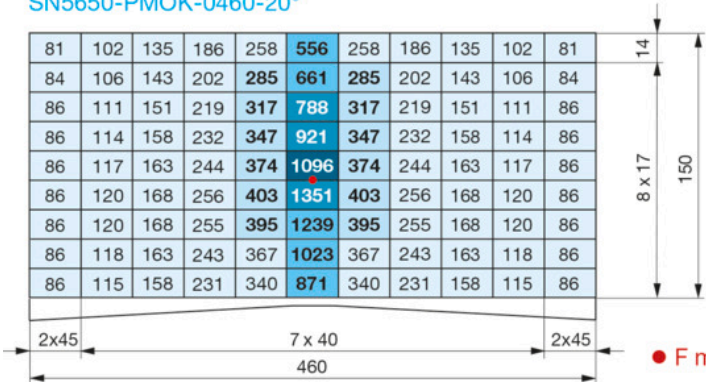
SN5650-PMOK-0460-10°



● F max. = 1365 kN

74	87	104	127	151	186	151	127	104	87	74
74	87	104	126	150	186	150	126	104	87	74
74	87	104	126	150	186	150	126	104	87	74
74	87	104	126	150	186	150	126	104	87	74
74	87	104	126	150	186	150	126	104	87	74
74	87	104	126	150	186	150	126	104	87	74
74	87	104	126	150	186	150	126	104	87	74
74	87	104	126	150	186	150	126	104	87	74
74	87	104	126	150	186	150	126	104	87	74
74	87	104	126	150	186	150	126	104	87	74
74	87	104	126	150	186	150	126	104	87	74

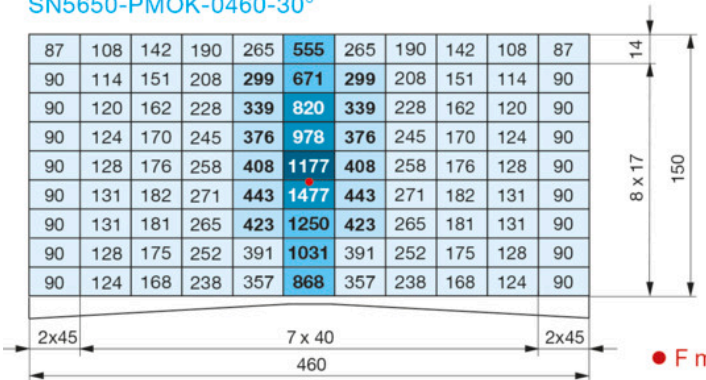
SN5650-PMOK-0460-20°



● F max. = 1453 kN

78	93	113	141	176	222	176	141	113	93	78
78	93	113	141	175	222	175	141	113	93	78
78	93	113	141	174	222	174	141	113	93	78
78	93	113	141	174	222	174	141	113	93	78
78	93	113	141	174	222	174	141	113	93	78
78	93	113	141	174	222	174	141	113	93	78
78	93	113	141	174	222	174	141	113	93	78
78	93	113	141	174	222	174	141	113	93	78
78	93	113	141	174	222	174	141	113	93	78
78	93	113	141	174	222	174	141	113	93	78
78	93	113	141	174	222	174	141	113	93	78

SN5650-PMOK-0460-30°



● F max. = 1531 kN

87	105	128	161	210	268	210	161	128	105	87
89	105	128	161	208	268	208	161	128	105	89
89	105	128	161	206	268	206	161	128	105	89
89	105	128	161	206	268	206	161	128	105	89
89	105	128	161	206	268	206	161	128	105	89
89	105	128	161	206	268	206	161	128	105	89
89	105	128	161	206	268	206	161	128	105	89
89	105	128	161	206	268	206	161	128	105	89
89	105	128	161	206	268	206	161	128	105	89
89	105	128	161	206	268	206	161	128	105	89
89	105	128	161	206	268	206	161	128	105	89

SN5650-PMOK-0460-

Schieberkräfte

Cam Force

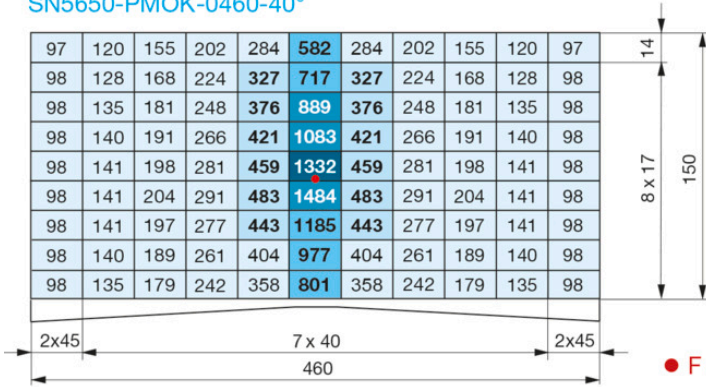
Abschulterung

Shouldering

Passfeder

Fitting Key

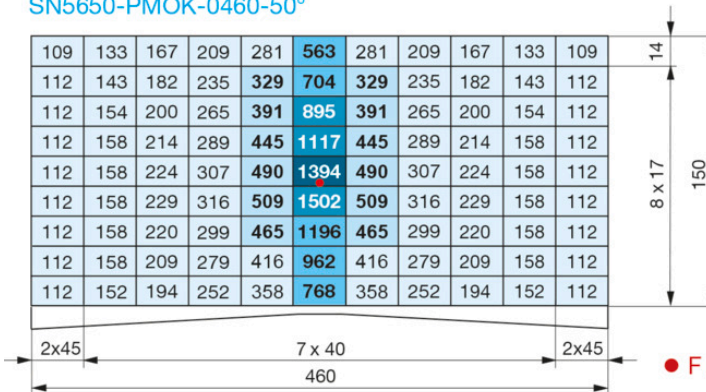
SN5650-PMOK-0460-40°



● F max. = 1597 kN

97	119	145	184	251	329	251	184	145	119	97
100	119	145	184	249	329	249	184	145	119	100
100	119	145	184	247	329	247	184	145	119	100
100	119	145	184	247	329	247	184	145	119	100
100	119	145	184	247	329	247	184	145	119	100
100	119	145	184	247	329	247	184	145	119	100
100	119	145	184	247	329	247	184	145	119	100
100	119	145	184	247	329	247	184	145	119	100
100	119	145	184	247	329	247	184	145	119	100
100	119	145	184	247	329	247	184	145	119	100
100	119	145	184	247	329	247	184	145	119	100
100	119	145	184	247	329	247	184	145	119	100

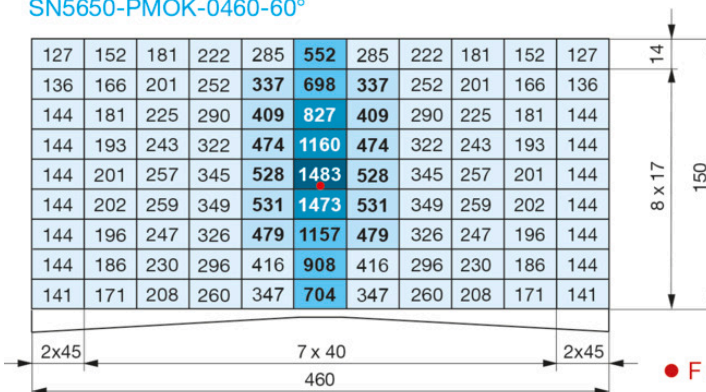
SN5650-PMOK-0460-50°



● F max. = 1651 kN

109	133	167	209	281	414	281	209	167	133	109
115	143	175	222	303	414	303	222	175	143	115
120	143	175	222	303	414	303	222	175	143	120
120	143	175	222	303	414	303	222	175	143	120
120	143	175	222	303	414	303	222	175	143	120
120	143	175	222	303	414	303	222	175	143	120
120	143	175	222	303	414	303	222	175	143	120
120	143	175	222	303	414	303	222	175	143	120
120	143	175	222	303	414	303	222	175	143	120
120	143	175	222	303	414	303	222	175	143	120
120	143	175	222	303	414	303	222	175	143	120
120	143	175	222	303	414	303	222	175	143	120

SN5650-PMOK-0460-60°



● F max. = 1692 kN

127	152	181	222	285	547	285	222	181	152	127
136	166	201	252	337	547	337	252	201	166	136
146	181	225	287	388	547	388	287	225	181	146
154	186	227	287	388	547	388	287	227	186	154
156	186	227	287	388	547	388	287	227	186	156
156	186	227	287	388	547	388	287	227	186	156
156	186	227	287	388	547	388	287	227	186	156
156	186	227	287	388	547	388	287	227	186	156
150	186	227	287	388	547	388	287	227	186	150
141	171	208	260	347	547	347	260	208	171	141