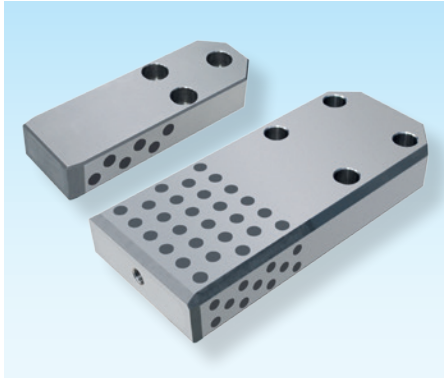


## Führungslaschen VDI 3387, selbstschmierend

## Guide plates VDI 3387, self-lubricating

## Barre de guidage VDI 3387, autolubrifiantes

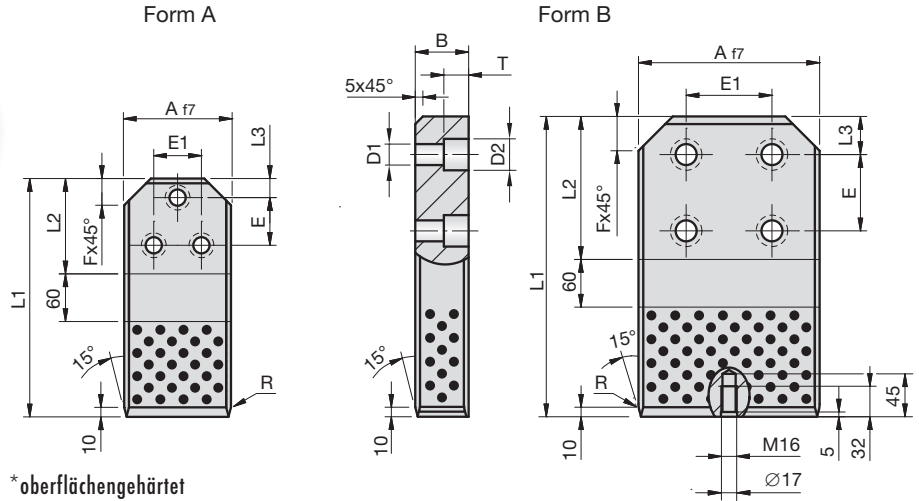


**SN 4188-**

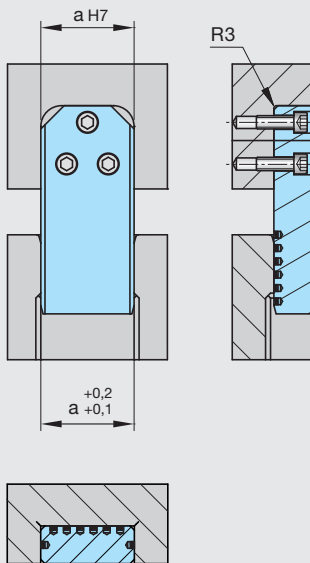
Mat.: Ck45/Graphit\*



SN 4188-B-L



\*oberflächengehärtet  
surface hardened  
dreté de la surface



| A   | L1  | Form | B  | L2  | L3 | E   | E1  | D1 | D2 | F  | T    | R    | Schrauben<br>Screws<br>Vis<br>SN 3500-... | Bohrungen<br>Drillings<br>Perçages |
|-----|-----|------|----|-----|----|-----|-----|----|----|----|------|------|---|------------------------------------|
| 63  | 180 | A    | 36 | 90  | 20 | 50  | 36  | 14 | 20 | 18 | 16   | 16   | M12-40                                    | 3                                  |
| 63  | 200 | A    | 36 | 90  | 20 | 50  | 36  | 14 | 20 | 18 | 16   | 16   | M12-40                                    | 3                                  |
| 63  | 224 | A    | 36 | 90  | 20 | 50  | 36  | 14 | 20 | 18 | 16   | 16   | M12-40                                    | 3                                  |
| 71  | 180 | A    | 36 | 90  | 20 | 50  | 36  | 14 | 20 | 18 | 16   | 16   | M12-40                                    | 3                                  |
| 71  | 200 | A    | 36 | 90  | 20 | 50  | 36  | 14 | 20 | 18 | 16   | 16   | M12-40                                    | 3                                  |
| 71  | 224 | A    | 36 | 90  | 20 | 50  | 36  | 14 | 20 | 18 | 16   | 16   | M12-40                                    | 3                                  |
| 90  | 200 | A    | 45 | 100 | 20 | 50  | 50  | 18 | 26 | 28 | 21   | 25   | M16-50                                    | 3                                  |
| 90  | 224 | A    | 45 | 100 | 20 | 50  | 50  | 18 | 26 | 28 | 21   | 25   | M16-50                                    | 3                                  |
| 90  | 250 | A    | 45 | 100 | 20 | 50  | 50  | 18 | 26 | 28 | 21   | 25   | M16-50                                    | 3                                  |
| 112 | 200 | A    | 45 | 100 | 20 | 50  | 50  | 18 | 26 | 28 | 21   | 25   | M16-50                                    | 3                                  |
| 112 | 224 | A    | 45 | 100 | 20 | 50  | 50  | 18 | 26 | 28 | 21   | 25   | M16-50                                    | 3                                  |
| 112 | 250 | A    | 45 | 100 | 20 | 50  | 50  | 18 | 26 | 28 | 21   | 25   | M16-50                                    | 3                                  |
| 140 | 315 | B    | 45 | 150 | 40 | 80  | 90  | 22 | 33 | 36 | 25,5 | 31,5 | M20-50                                    | 4                                  |
| 190 | 400 | B    | 56 | 150 | 40 | 80  | 90  | 22 | 33 | 36 | 25,5 | 31,5 | M20-60                                    | 4                                  |
| 240 | 500 | B    | 56 | 250 | 40 | 160 | 160 | 26 | 40 | 36 | 30,5 | 31,5 | M24-70                                    | 4                                  |
| 240 | 630 | B    | 56 | 250 | 40 | 160 | 160 | 26 | 40 | 36 | 30,5 | 31,5 | M24-70                                    | 4                                  |