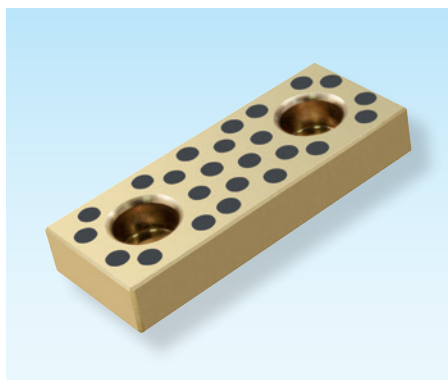


Gleitplatten, selbstschmierend



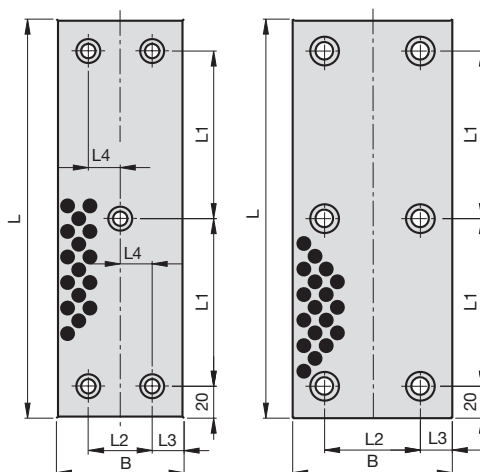
SN4176-

Mat.: Bronze
190-220 HB S10/3000
<150 °C

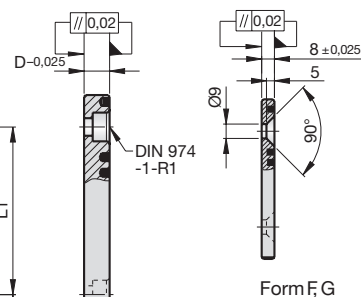
SN4176-Form-
B-D-L



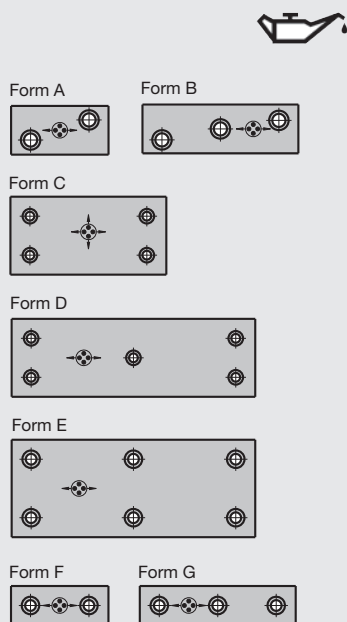
Wear plates, self-lubricating



Plaques de frottement, autolubrifiantes



Form A,B,C,D,E



Form	B	D	L	L1	L2	L3	L4	Bohrungen Drillings Perçages	DIN 974 -1-R2-
A	30	12	100	60	-	15	-	2	8
B	30	12	160	60	-	15	-	3	8
B	30	12	250	105	-	15	-	3	8
F	40	8	100	60	-	20	-	2	DIN 74-
G	40	8	160	60	-	20	-	3	DIN 74-
G	40	8	250	105	-	20	-	3	DIN 74-
A	40	12	100	60	-	20	-	2	8
B	40	12	160	60	-	20	-	3	8
B	40	12	250	105	-	20	-	3	8
A	40	16	100	60	-	20	-	2	10
B	40	16	160	60	-	20	-	3	10
B	40	16	250	105	-	20	-	3	10
A	50	20	100	60	20	15	-	2	12
B	50	20	160	60		15	10	3	12
B	50	20	250	105		15	10	3	12
A	60	16	100	60	30	15	-	2	10
B	60	16	160	60		15	15	3	10
B	60	16	250	105		15	15	3	10
A	80	12	100	60	40	20	-	2	8
C	80	12	160	120	40	20	-	4	8
D	80	12	250	105	40	20	20	5	8
A	80	20	100	60	40	20	-	2	12
C	80	20	160	120	40	20	-	4	12
D	80	20	250	105	40	20	20	5	12



1

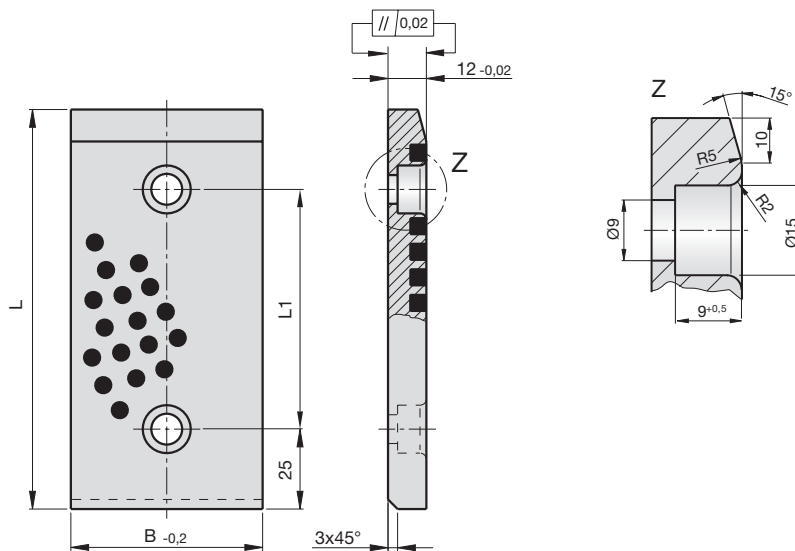
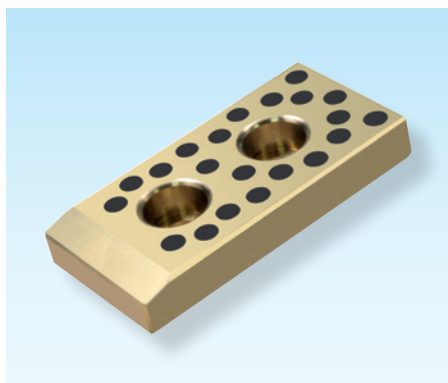


Form	B	D	L	L1	L2	L3	L4	Bohrungen Drillings Perçages	DIN 974 -1-R1-
A	100	16	100	60	60	20	-	2	10
C	100	16	160	120	60	20	-	4	10
E	100	16	250	105	60	20	-	6	10
C	125	20	100	60	85	20	-	4	12
C	125	20	160	120	85	20	-	4	12
E	125	20	250	105	85	20	-	6	12

Gleitplatten VDI 3357, selbstschmierend

Wear plates VDI 3357, self-lubricating

Plaques de frottement VDI 3357, autolubrifiantes



SN4177-

Mat.: Bronze
190-220 HB S10/3000
< 150 °C



SN4177-B-L



B	L	L1	Bohrungen Drillings Perçages	B	L	L1	Bohrungen Drillings Perçages
30	80	30	2	50	200	150	2
30	100	50	2	60	80	30	2
30	125	75	2	60	100	50	2
30	160	110	2	60	125	75	2
30	200	150	2	60	160	110	2
40	80	30	2	60	200	150	2
40	100	50	2	80	80	30	2
40	125	75	2	80	100	50	2
40	160	110	2	80	125	75	2
40	200	150	2	80	160	110	2
50	80	30	2	80	200	150	2
50	100	50	2				
50	125	75	2				
50	160	110	2				